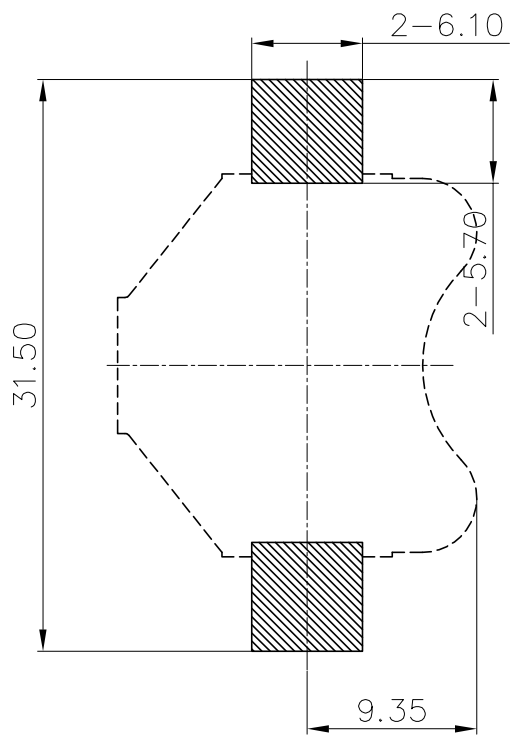
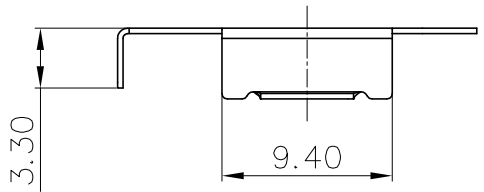
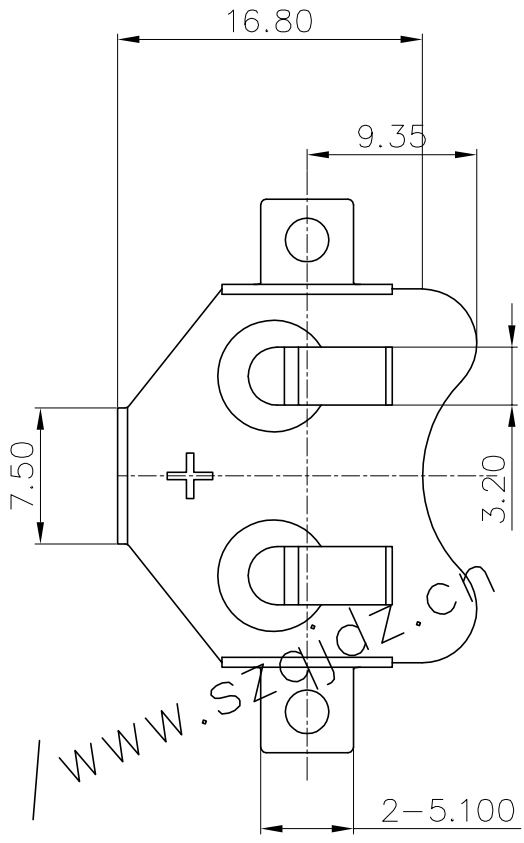
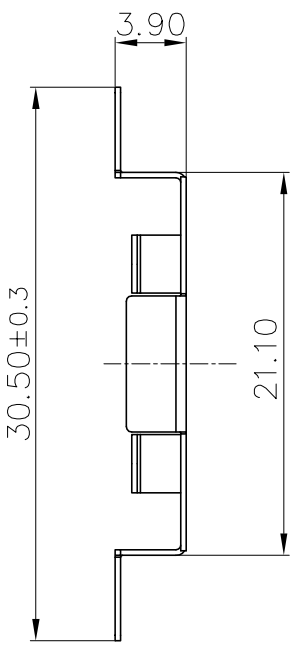


ROHS



PCB Layout Diagram  
Top View



<http://www.szqjdz.com>

ECN NO.	REV	DATE	DESCRIPTION	CHANGE	CHECK	APPRO

① TERMINAL(+)		1	PHOSPHOR BRONZE,T=0.30mm	NI Plating	SHEET 1 OF 1		
NO. PART NAME		QTY	MATERIAL	PLATING & COLOR	WEIGHT: g		
UNLESS OTHERWISE SPECIFIED TOLERANCES		DECIMALS: ANGLES:		SHENZHEN QJIE Electronics Co.Ltd			
X : ±0.30 X : ±1°		X : ±0.25 X : ±0.5°		DSND QJ.LIUSU DATE 2018/04/18 TITLE:			
X : ±0.20 X : ±0.10		X : ±0.10 X : ±0.10		CHKD QJ.HUAN DATE 2018/04/18 电池扣CR2032-T			
SCALE: SIZE: A4		VIEW: ④		APVD QJ.QILIU DATE 2018/04/18 PART NO.:			
UNIT: mm		REV: A/0		OBJECT: QJ		DRAW NO.: QJ-CR2032T	