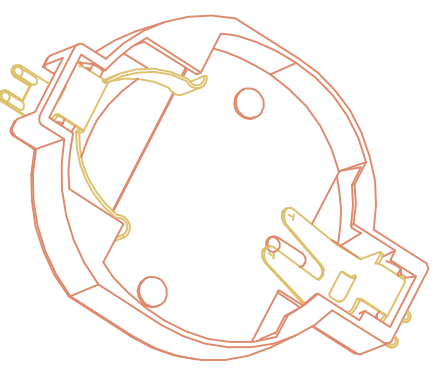
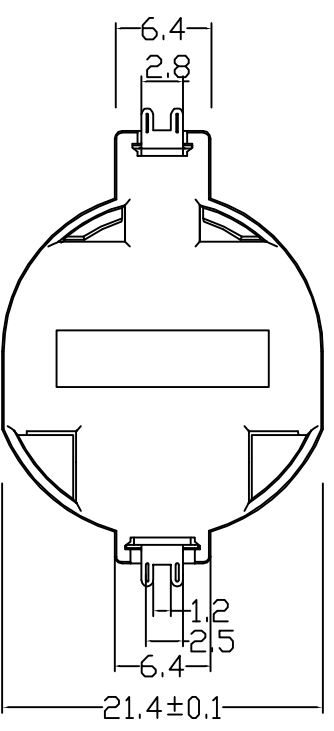
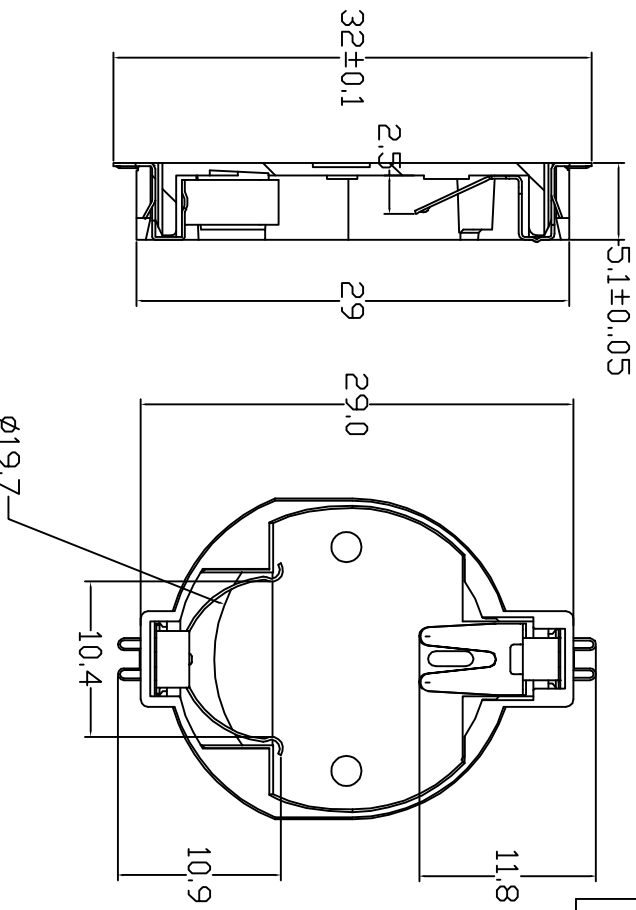


TOLERANCE: UNLESS OTHERWISE SPECIFIED		
UNOVER1.5±0.1	1.5~10±0.2	OVER10.0±0.3



NO	PART NAME	QUNTY	MATERIAL	REMAK
1	HOU SING	1	PPS	BROWN
2	POSITIVE PIN	1	QSN6.5-0.1 T=0.2	AU
3	NEGATIVE PIN	1	QSN6.5-0.1 T=0.2	AU

NOTE:
 1.MATERIAL:
 a.HOUSING:THERMOPLASTIC GLASS FIBRE UL94V-0
 b.CONTACT:PHOSPHOR BRONZE (SURFACE PLATING:AU)
 SEE ORDERING INFORMATION
 2.ELECTRIC:
 a.CONTACT RESISTANCE: 30 MILLIOHMS MAX
 b.INSULATION RESISTANCE: 1000 MEGA OHMS MIN
 c.DIELECTRIC VOLTAGE: 500V AC ONE SEC LEVEL
 d.OPERATING TEMPERATURE: -40C ~ +80C

ORDERING INFORMATION

QJ-BS-10-B**001

品牌: 电池座系列
 BS-10系列

PLATING:
 A-AU1U*
 J-NI100U*~120U*
 K-SN100U*~120U*

MATERIAL:
 1A-PBT BLACK
 1B-PAGE BLACK
 2A-PPA BKDYN
 2B-PPA BLACK
 3A-PPS BKDYN
 3B-PPS BLACK
 4A-LCP WHITE
 4B-LCP BLACK

SMT 180° TYPE

SHENZHENQJIEELECTRONIC CO.,LTD		深圳市琦捷电子有限公司	
日期 DATE	单位 UNITS	审核 CHECK	BATTERY HDLDER
2011/ 2/ 14	mm	QJ.LIU	PART NO.
比例 SCALE	制图 DRAW	设计 DESIGN	QJ-BS-10-B3AA001
1/1	QJ.HUANG	QJ.AIY	QJ.CR2032-10SMT