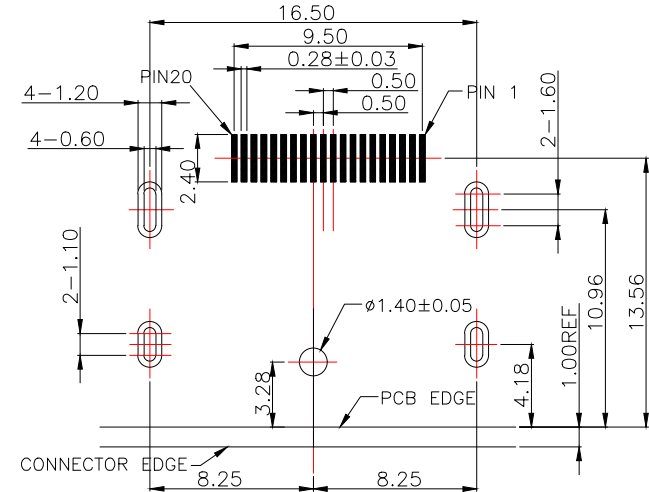
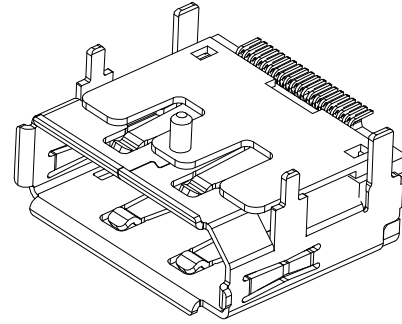
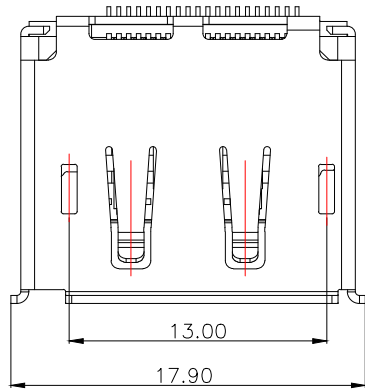
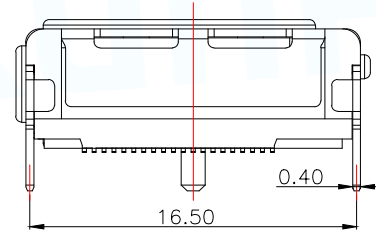
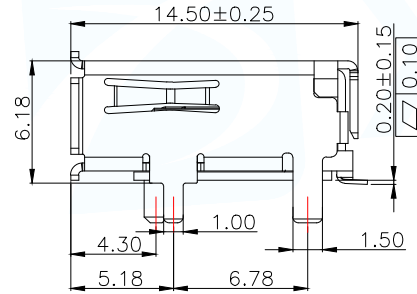
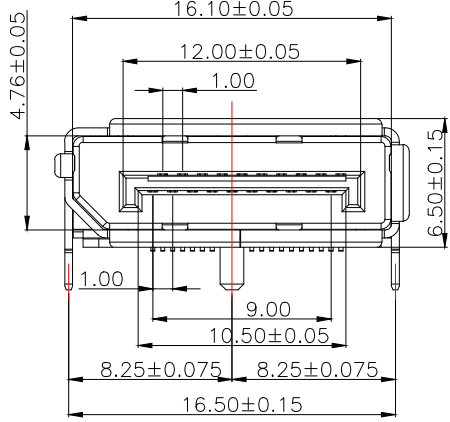


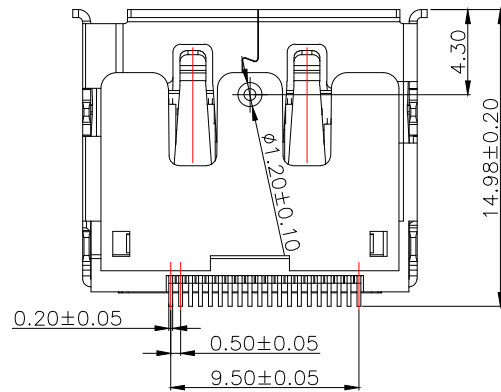
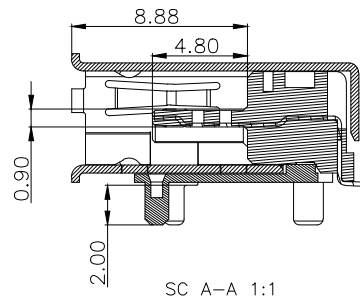
12	13	14	15
MAPX	MODIFICATION	DATE	DRAW



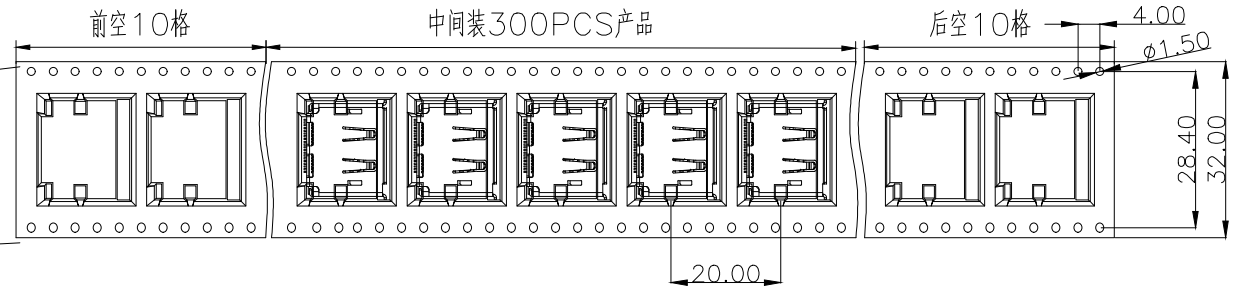
RECOMMENDED P.C.B LAYOUT(PCB THICKNESS: 1.6mm)
COMPONENT SIDE VIEW(TOLERANCE: ±0.05)



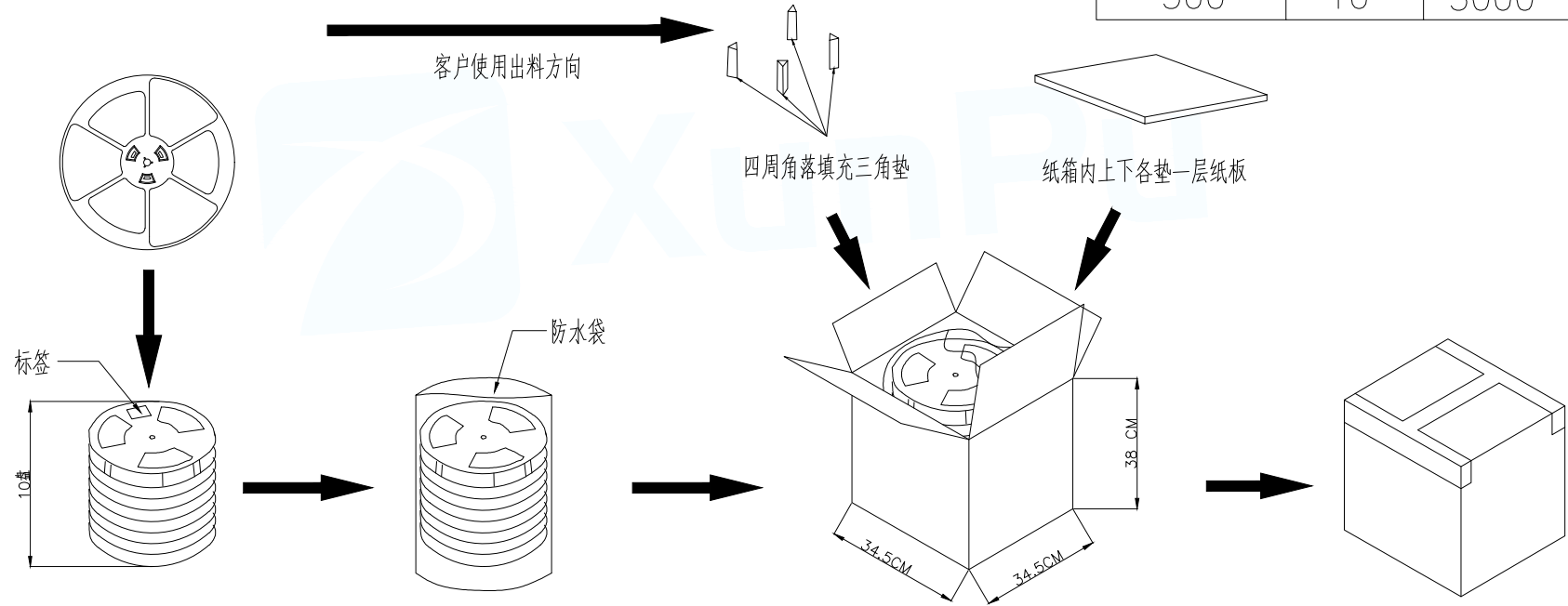
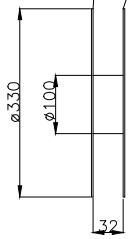
- NOTE:
- MATERIAL:
 - HOUSING: LCP, UL 94V-0 COLOR: BLACK.
 - CONTACT: C2680, T=0.20mm.
 - SHIELD: C2680, T=0.40mm.
 - COVER: LCP,UL 94V-0
 - FINISH:
 - CONTACT: GOLD(1U") PLATING IN CONTACT AREA, 50u"MIN Tin PLATED IN SOLDER AREA,50u" MIN. NICKEL UNDERPLATED OVERALL.
 - SHIELD: 50u" MIN. NICKEL UNDERPLATED OVERALL.
 - MECHANICAL CHARACTERISTICS
 - RATING CURRENT: 0.5A
 - RATING VOLTAGE: 40V
 - CONTACT RESISTANCE: 40 mΩ MAX
 - INSULATION RESISTANCE α, UNMATED: 100MΩ MIN AT 500 VDC b, MATED: 10M OHMS MIN AT 150 VDC
 - DIELECTRIC WITHSTANDING VOLTAGE: 500V AC/1MINUTE
 - DURABILITY: 10000 CYCLES.



MANUFACTURE DWG		东莞市讯普电子科技有限公司 DongGuan XunPu Electronics Co.,Ltd	
UNLESS OTHERWISE SPECIFIED TOLERANCES			TITLE: DP 20P CONN
			PAR DP-001-C-J
DECIMALS:	ANGLES:		DWN
X.X:±0.25	X.°:±1.5'		CHKD
X.XX:±0.15	X.X:±1.0'	APVD	SCALE:1:1
X.XXX:±0.10		CUSTOMER COPY	UNIT:MM
		SIZE:A4	SHEET:1F1
			REV:A



PCS/卷	卷/箱	PCS/箱
300	10	3000



MANUFACTURE DWG		 东莞市讯普电子科技有限公司 DongGuan XunPu Electronics Co.,Ltd	
UNLESS OTHERWISE SPECIFIED TOLERANCES			TITLE: DP 20P CONN
			PAR DP-001-C-J
DECIMALS:	ANGLES:		DWN
X.X:±0.25	X.°:±1.5'		CHKD
X.XX:±0.15	X.X:±1.0'	APVD	SCALE 1:1
X.XXX:±0.10			UNIT:MM
		CUSTOMER COPY	SIZE:A4
			SHEET:1F1
			REV:A