

NOTE:

1.MATERIAL:

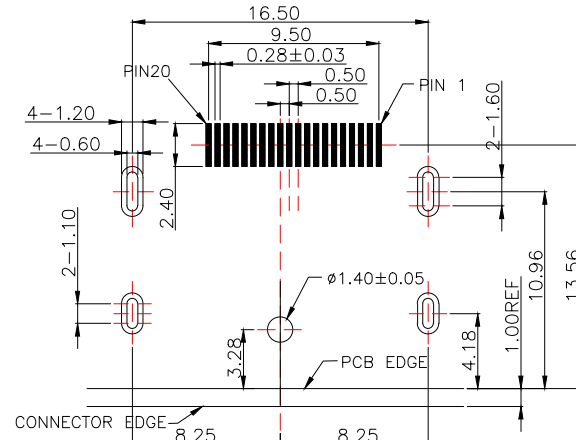
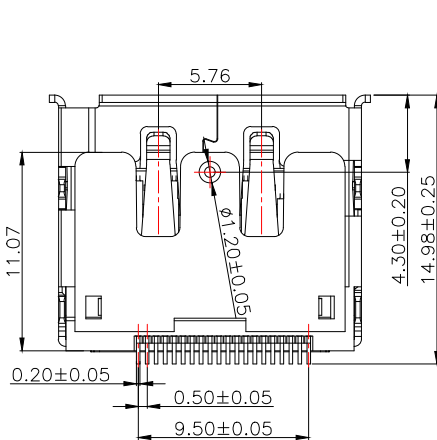
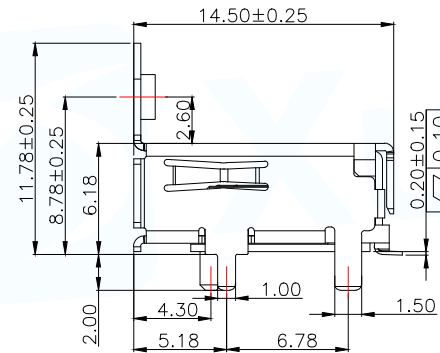
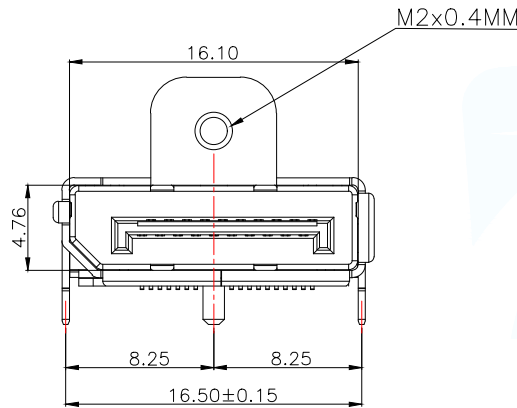
- 1.1 HOUSING: LCP, UL 94V-0 COLOR: BLACK.
- 1.2 CONTACT: C2680, T=0.20mm.
- 1.3 SHIELD: C2680, T=0.40mm.
- 1.4 COVER: LCP,UL 94V-0

2.FINISH:

- 2.1 CONTACT: GOLD(1U") PLATING IN CONTACT AREA, 50u"MIN Tin PLATED IN SOLDER AREA,50u" MIN. NICKEL UNDERPLATED OVERALL.
- 2.2 SHIELD: 50u" MIN. NICKEL UNDERPLATED OVERALL.

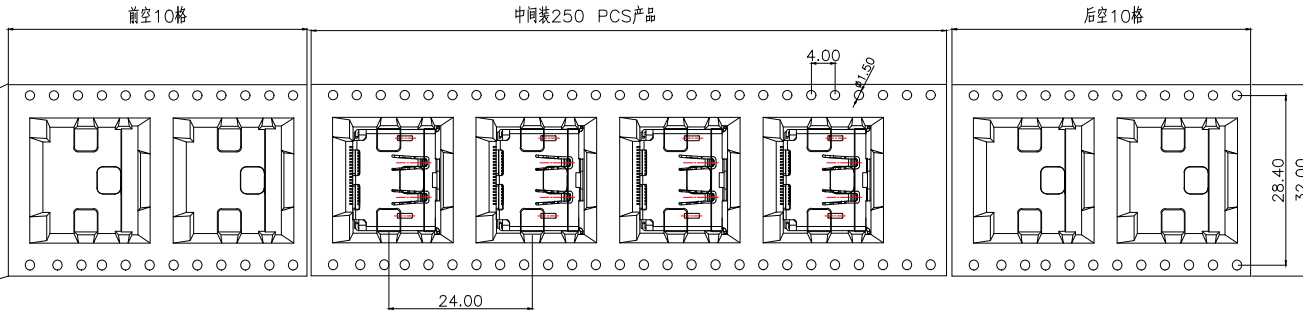
3.MECHANICAL CHARACTERISTICS

- 3.1 RATING CURRENT: 0.5A
- 3.2 RATING VOLTAGE: 40V
- 3.3 CONTACT RESISTANCE: 40 mΩ MAX
- 3.4 INSULATION RESISTANCE a, UNMATED: 100MΩ MIN AT 500 VDC b, MATED: 10M OHMS MIN AT 150 VDC
- 3.5 DIELECTRIC WITHSTANDING VOLTAGE: 500V AC/1MINUTE
- 3.6 DURABILTY: 10000 CYCLES.

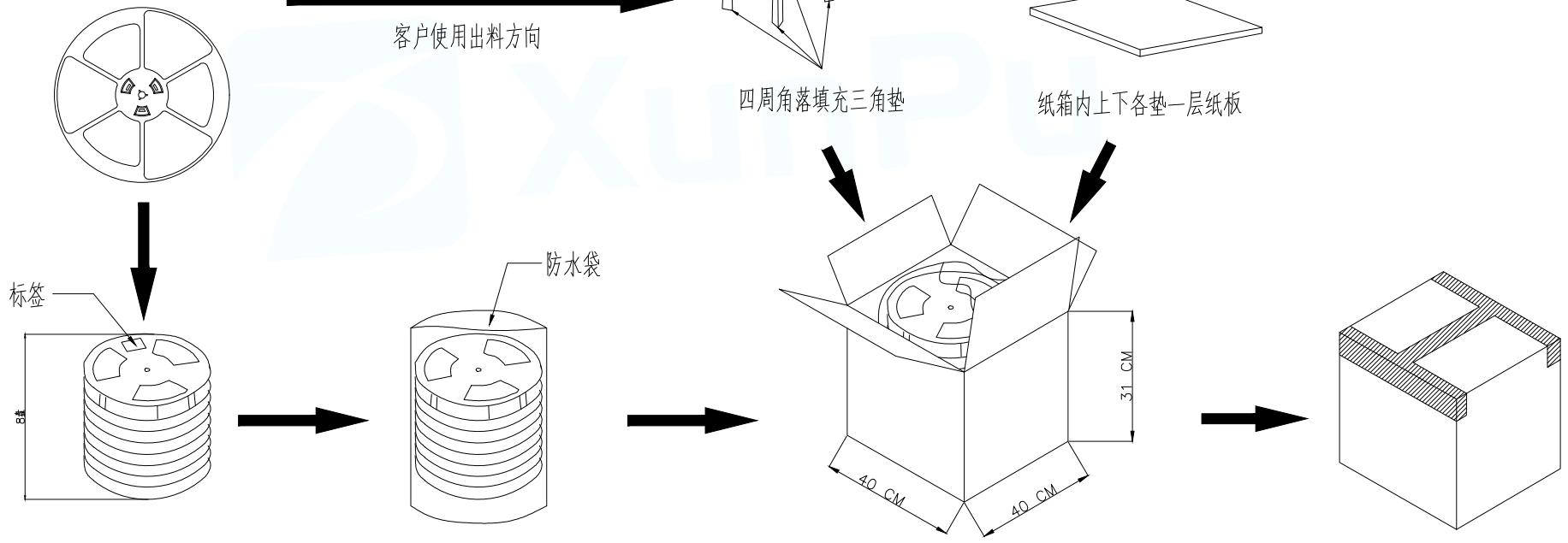
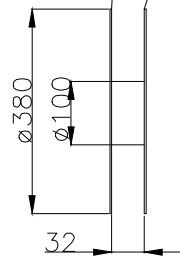


RECOMMENDED P.C.B LAYOUT(PCB THICKNESS: 1.6mm)  
COMPONENT SIDE VIEW(TOLERANCE: ±0.05)

MANUFACTURE DWG			 东莞市讯普电子科技有限公司 DongGuan XunPu Electronics Co.,Ltd	
UNLESS OTHERWISE SPECIFIED TOLERANCES			TITLE: DP 20P CONN 8.78	
DECIMALS: X.X:±0.25			PAR	DP-002-C-Y-A
ANGLES: X.:±1.5°			DWN	
X.XX:±0.15		CHKD		
X.XXX:±0.10		APVD		
		SCALE:1:1	UNIT:MM	
		SIZE:A4	SHEET:1F1	



PCS/卷	卷/箱	PCS/箱
250	8	2000



MANUFACTURE DWG			东莞市讯普电子科技有限公司 DongGuan XunPu Electronics Co.,Ltd	
UNLESS OTHERWISE SPECIFIED TOLERANCES			TITLE: DP 20P CONN 8.78	
DECIMALS:	ANGLES:	PAR	DP-002-C-Y-A	
X.X:±0.25	X.:±1.5'	DWN		
X.XX:±0.15	X.X:±1.0'	CHKD		
X.XXX:±0.10		APVD		
		SCALE:1:1	UNIT:MM	
		CUSTOMER COPY	SIZE:A4	SHEET:1F1
				REV:A