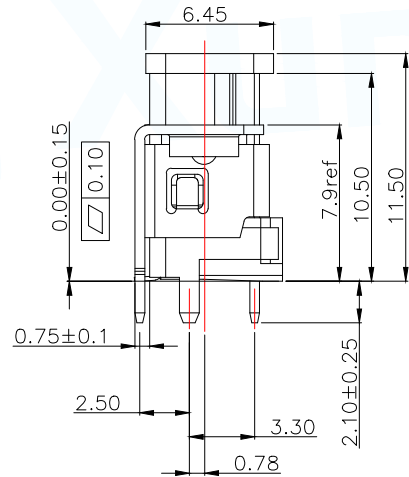
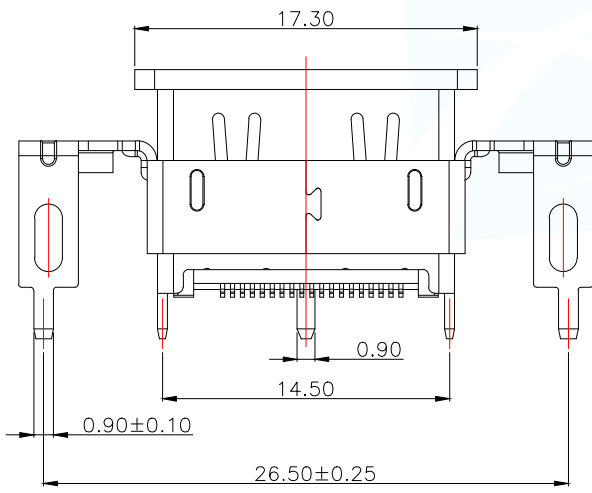
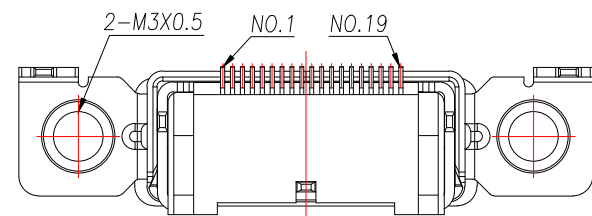


RECOMMENED P.C.B. LAYOUT(T=1.6mm)  
TOLERANCES UNLESS OTHERWISE SPEC.±0.05



NOTES:

- 1.) MATERIAL:
  - 1-1. HOUSING AND COVER:LCP,UL 94V-0,COLOR:BLACK;
  - 1-2. CONTACT:BRASS T=0.20;
  - 1-3. SHELL:SPCC T=0.50;
  - 1-4. SUPPORT:SPCC T=0.50;
- 2.) FINISH:
  - 2-1. CONTACT: Au PLATING ON CONTACT AREA,(SEE P/N DESCRIBING) 50u" MIN. Ni UNDERPLATING OVERALL;
  - 2-2. SHELL&SUPPORT: PLATING Ni 50u"min
- 3.) SPECIFICATIONS:
  - 3-1. VOLTAGE RATING: 40V
  - 3-2. CURRENT RATING: 0.5A
  - 3-3. INSULATION RESISTANCE: 100MEG.OHM MIN
  - 3-4. CONTACT RESISTANCE: 30 MILL.OHM MAX
  - 3-5. OPERATION TEMPERATURE: -20° TO +85°
  - 3-6. INSERT FORCE: 44.1N MAX
  - 3-7. EXTRACT FORCE: 9.8N MIN
  - 3-8. DURABILITY: 10000 CYCLES



MANUFACTURE DWG		东莞市讯普电子科技有限公司 DongGuan XunPu Electronics Co.,Ltd	
UNLESS OTHERWISE SPECIFIED TOLERANCES			TITLE: HDMI-A
			PAR HDMI-211L-A
DECIMALS:	ANGLES:		DWN
X.X:±0.35	X.:±5°		CHKD
X.XX:±0.25	X.X:±3°	APVD	SCALE 1:1
X.XXX:±0.15		CUSTOMER COPY	UNIT:MM
		SIZE:A4	UNIT:MM
		SHEET:1F1	REV:A