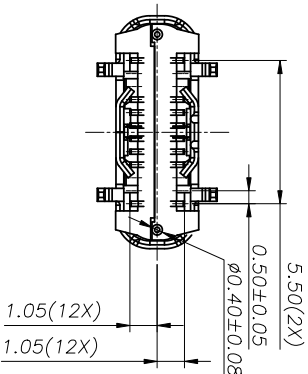
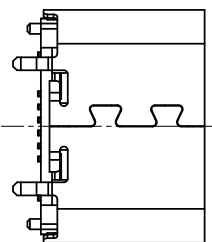
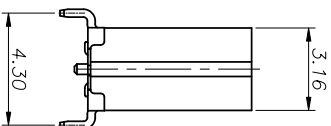
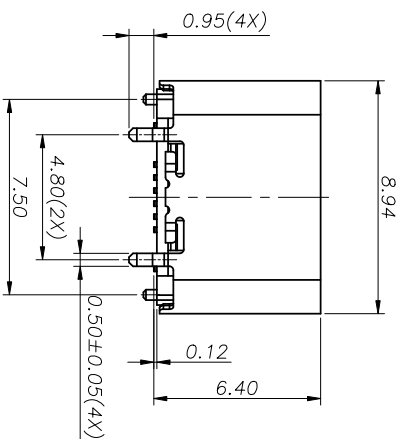
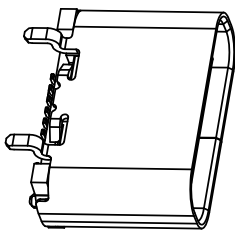
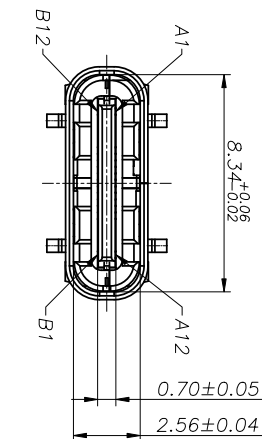


RoHS 客户图

目錄 MAPX	變更內容 MODIFICATION	日期 DATE
A0	NEW	09-10-20



- NOTE:
- MATERIAL SPECIFICATION:
 - HOUSING: LCP, UL94 V-0.
 - TERMINAL: COPPER ALLOY(C1814)
 - MID PLATE: STAINLESS STEEL(SUS301)
 - FRONT SHELL: STAINLESS STEEL(SUS304)
 - PLATING SPECIFICATION:
 - TERMINAL: Ni 50u" MIN. UNDER PLATED OVER ALL. Au PLATED ON THE FUNCTIONAL AREA OF CONTACT.
 - FRONT SHELL: (GOLD PLATING THICKNESS FOLLOW THE P/N) PLATING SPECIFICATIONS OF THE SOLDER AREA FOLLOW THE P/N
 - MID PLATE: Ni 50u" MIN. UNDER PLATED OVER ALL. CLEAR ONLY
 - MECHANICAL PERFORMANCE,
 - INSERTION FORCE: 0.5~2.0kgf.
 - REMOVAL FORCE: 0.8kgf~2.0kgf.
 - DURABILITY: 10000 CYCLES.
 - ELECTRICAL PERFORMANCE,
 - VOLTAGE RATING: 5 V DC/AC (RMS. max) CURRENT RATING: 5 AMPS. FOR TOTAL VBUS/GND PINS; 1.25AMPS FOR CC PIN, 0.25 AMPS. FOR ALL OTHER CONTACT.
 - LCR: VBUS & GND PINS AND OTHER PINS: 40mΩ/PIN MAX. SHIELD: 50mΩ/MAX. LCR MAX. CHANGE OF ALL PINS: 10mΩ.
 - INSULATION RESISTANCE: 100MΩ MIN
 - DIELECTRIC WITHSTAND VOLTAGE: AC 100V FOR 1 MINUTE.
 - ENVIRONMENTAL PERFORMANCE:
 - OPERATING TEMPERATURE: -25°C~+85°C.
 - IR REFLOW: THE PEAK TEMPERATURE ON THE BOARD SHALL BE MAINTAINED FOR 10 SECONDS AT 260°C.

产品图

深圳市精拓金电子有限公司

PRODUCT CHART DWG

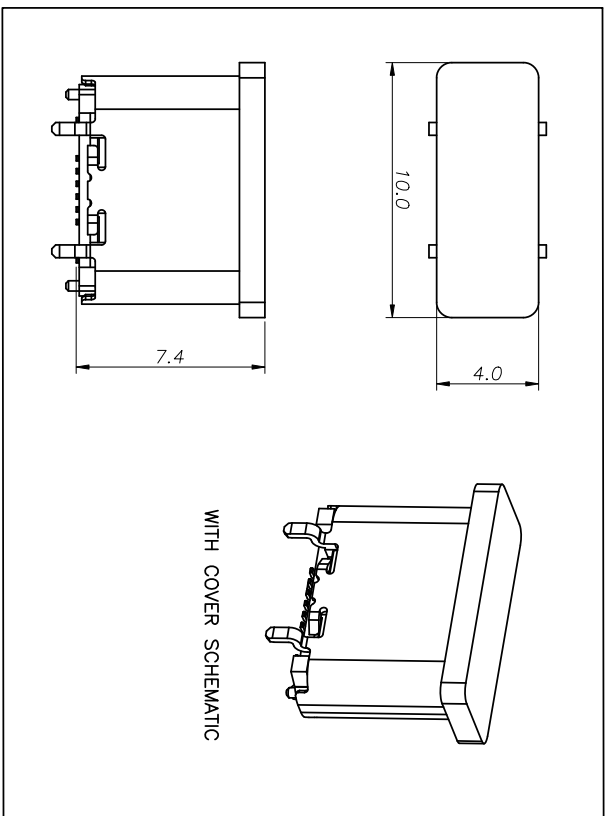
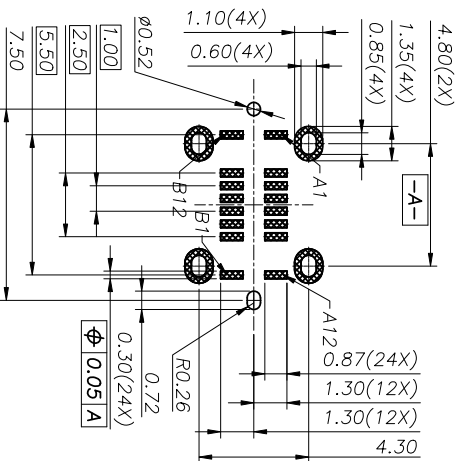
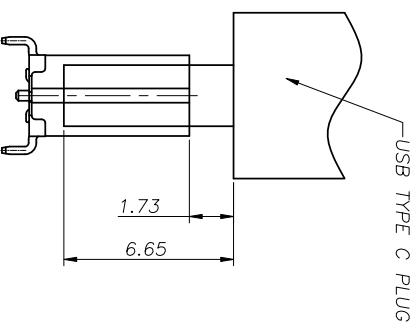
公差一览表

公差一览表		单位		制图		产品料号	
TOLERANCE UNLESS OTHERWISE	UNITS	MM	MM	DRAWING	审核	审核	PRODUCT PART NO.
X	±0.30	X'	±5'	林属升	郭治富	郭治富	918-418R2022140010
X	±0.25	X'	±2'	审核	审核	产品名称	TYPE C3.1母座直立式四脚有柱双排贴片
.XX	±0.30	.XX'	±1'	日期	日期	CHNO	6.5LCP 黑胶 16PIN
.XXX	±0.15	.XXX'	±0.5'	2009/10/20	2009/10/20	角法	VIEW
				核准	核准	版本	VER
				黄国荣	黄国荣	A0	

RoHS 客户图

USB TYPE-C PIN ASSIGNMENTS

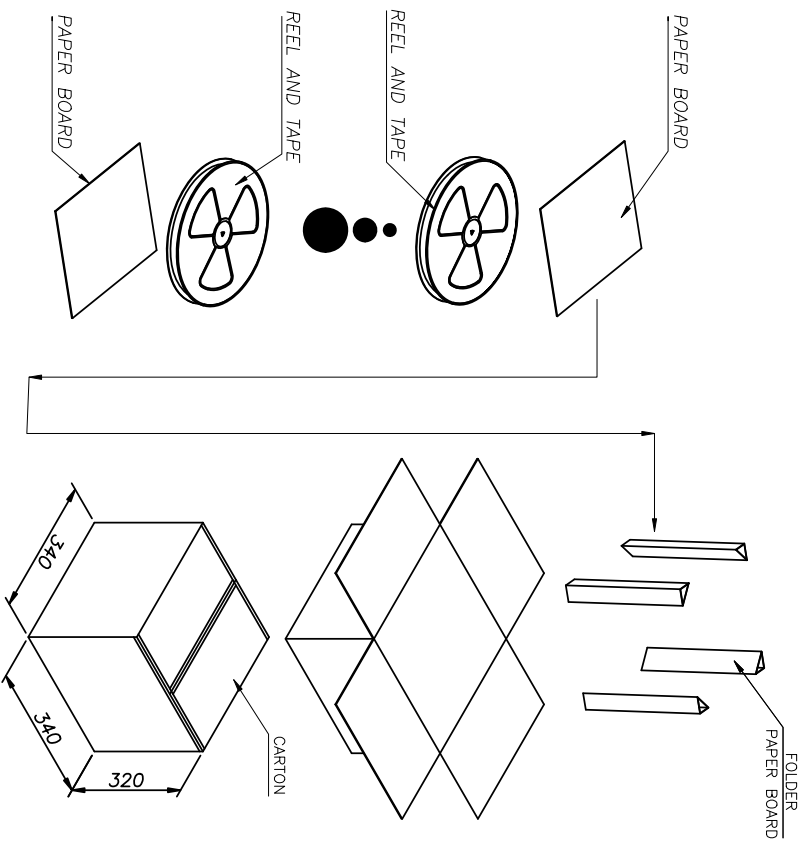
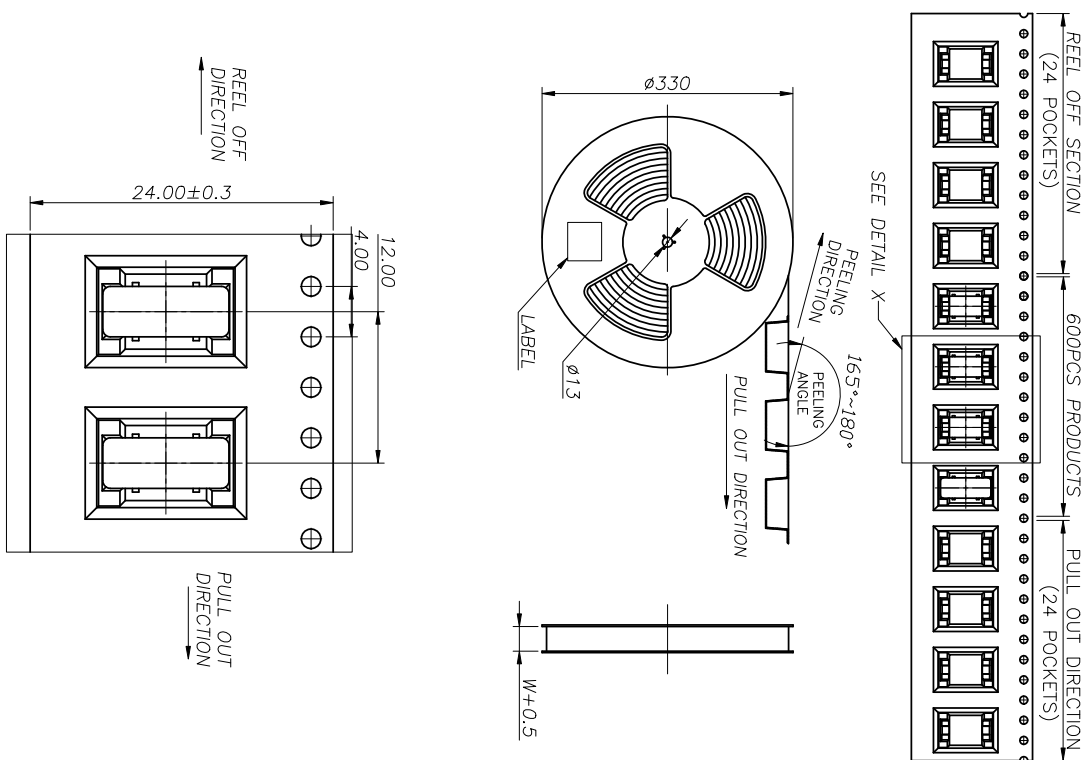
PIN NUMBER	SIGNAL NAME	PIN NUMBER	SIGNAL NAME
A1	GND	B12	GND
A4	VBUS	B9	VBUS
A5	CC1	B8	SBUS2
A6	Dp1	B7	Dn2
A7	Dn1	B6	Dp2
A8	SBU1	B5	CC2
A9	VBUS	B4	VBUS
A12	GND	B1	GND



公差一览表		单位		制图		产品料号	
TOLERANCE UNLESS OTHERWISE		UNITS		DRAWING		PRODUCT PART NO.	
X	±0.30	X'	±5°	审核	林属升	918-418K2022Y40010	TYPE C3, 1母座直立式四脚有柱双排贴片
X	±0.25	X'	±2°	审核	郭治富	6.5LCP 黑胶 16PIN	
.XX	±0.30	.XX'	±1°	核准	黄国荣		
.XXX	±0.15	.XXX'	±0.5°	日期	2009/10/20	角法	版本
				DATE		VIEW	VER
							A0

深圳市精拓金电子有限公司

RoHS 客户图



CONNECTOR (PCS)	REEL/TRAY	CARTON
	600	6000

深圳市精拓金电子有限公司

公差一览表		单位	MM	制图	林属升	产品料号	918-418K202Y40010
TOLERANCE UNLESS OTHERWISE		UNITS	MM	DRAWING	林属升	PRODUCT NO.	918-418K202Y40010
X	±0.30	X	±5°	审核	郭怡富	产品名称	TYPE C3.1母座直立式四脚有柱双排贴片
.X	±0.25	.X	±2°	核准	黄国荣	PRODUCT NO.	6. SLCF 覆胶 16PIN
.XX	±0.30	.XX	±1°	日期	2009/10/20	角法	⊕
.XXX	±0.15	.XXX	±0.5°	DATE		版本	VER
							A0

目次	变更内容	日期
MAPX	MODIFICATION	DATE
A0	NEW	09-10-20