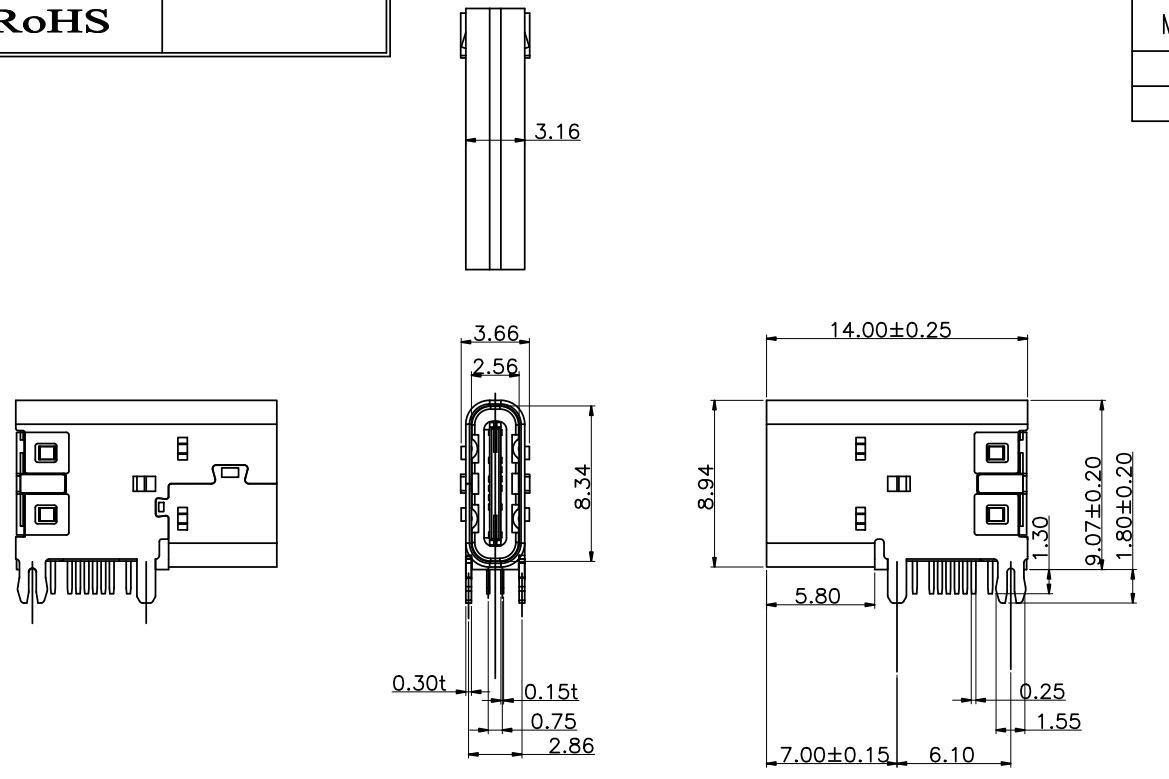


RoHS

MAPX	MODIFICATION	DRW	DATE

- NOTES:
- MATERIAL: SEE "TABLE 1";
 - FINISH: SEE "TABLE 1";
 - ELECTRICAL :
 - CONTACT CURRENT RATING :
3A (VBUS PIN 1.5A/PIN MAX),
3A (GND PIN 1.25A/PIN MAX), 0.25A/PIN (OTHER PIN).
 - INSULATION RESISTANCE :
100 MEGAOHMS MIN. AT 250VDC.
 - DIELECTRIC WITHSTANDING VOLTAGE :
100VAC MIN.
 - LOW LEVEL CONTACT RESISTANCE :
INITIAL 40mΩ MAX.
AFTER 50mΩ MAX.
 - MECHANICAL CHARACTERISTICS :
 - MATING FORCE: 5~20N.;
 - UNMATING FORCE: 6~20N(INITIAL),
6~20N(AFTER 10000 CYCLES);
 - DURABILITY : 10,000 MATING CYCLES.
 - OPERATING TEMPERATURE : -40° C TO +80° C



PCB板厚建议1.0~1.2MM

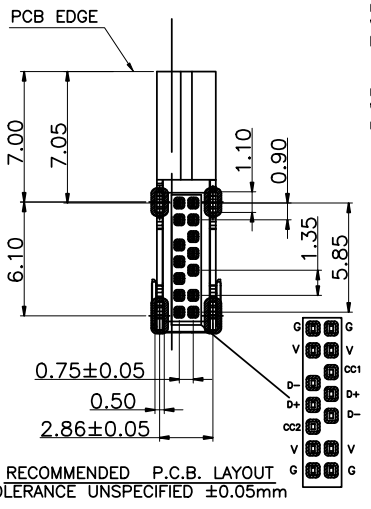


TABLE 1:

NO.	PART NAME	QTY	MATERIAL	DESCRIPTION	REMARK
④	Shell	1	SUS 304	NI PLATING	T=0.30mm
③	MID PLATE	1	SUS 304		T=0.15mm
②	Terminal	16	C2680	Au+Lu* PLATING	T=0.15mm
①	Housing	3	LCP 1301		

Signal Name	Signal Name
A1 GND	B12 GND
A2 SSTXp1	B11 SSRXp1
A3 SSTXn1	B10 SSRXn1
A4 VBUS	B9 VBUS
A5 CC1	B8 SBU2
A6 Dp1	B7 Dn2
A7 Dn1	B6 Dp2
A8 SBU1	B5 CC2
A9 VBUS	B4 VBUS
A10 SSRXn2	B3 SSTXn2
A11 SSRXp2	B2 SSTXp2
A12 GND	B1 GND

产品图 PRODUCT CHART DWG 公差一览表 TOLERANCE UNLESS OTHERWISE		深圳市精拓金电子有限公司 Shenzhen Jing Tuo Jin Electronics Co., Ltd.							
X.	±0.25	X.	±5°	单位	MM	制图	林属升	制图料号	918-518K2023D50002
.X	±0.20	.X	±2°	比例	1:1	审核	郭治富	产品名称	TYPE-C2.0侧插母座14.0前置后鱼叉脚不锈钢
.XX	±0.15	.XX	±1°	日期	2020-05-22	核准	黄国荣	角法	LCP黑胶 14PIN端子1.3
.XXX	±0.10	.XXX	±0.5°	日期		APPD		版本	A0