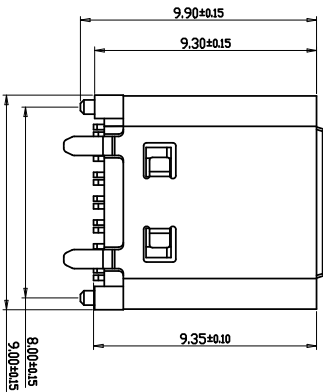
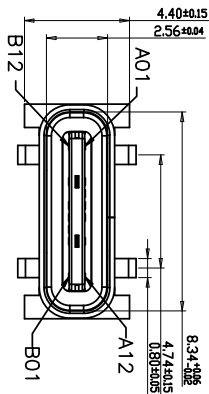
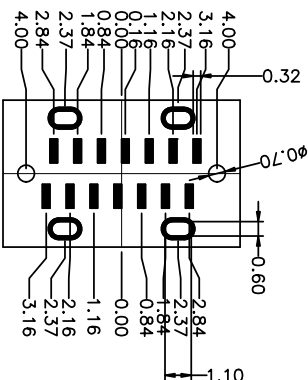
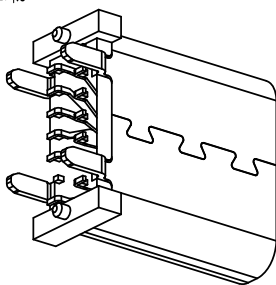


RoHS



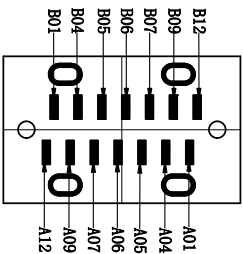
截面 1-1



RECOMMENDED P.C.B LAYOUT (71.00mm)  
TOLERANCE UNSPECIFIED ±0.05mm

TABLE 1:

NO.	PART NAME	QTY	MATERIAL	DESCRIPTION	REMARK
④	Shell	1	SUS 304	NI PLATING	T=0.30mm
③	MID PLATE	1	SUS 304		T=0.15mm
②	Terminal	16	C2680	Au/1μ PLATING	T=0.15mm
①	Housing	3	LCP 1301		



产品图

产品图  
公差一览表  
TOLERANCE UNLESS OTHERWISE SPECIFIED

公差一览表	单位	MM	制图	林属升	制图料号	918-468K2029Y50002
X	±0.25	X	±5°		PRODUCT PART NO.	
.XX	±0.20	X	±2°	审核	产品名称	TYPE C3.1母座直立式四脚有柱
.XXX	±0.10	.XXX	±0.5°	核准	日期	2020-06-22
				APPD	日期	2020-06-22
					核准	黄国荣
					角法	角法
					版本	版本
					VER	VER
						A0

MAPX

MODIFICATION

DRW

DATE

- NOTES:
1. MATERIAL: SEE "TABLE 1";
  2. FINISH: SEE "TABLE 1";
  3. ELECTRICAL :
    - 3-1. CONTACT CURRENT RATING :
      - 3A (VBUS PIN 1.5A/PIN MAX),
      - 3A (GND PIN 1.25A/PIN MAX), 0.25A/PIN (OTHER PIN).
    - 3-2. INSULATION RESISTANCE :
      - 100 MEGOHMS MIN. AT 250VDC.
    - 3-3. DIELECTRIC WITHSTANDING VOLTAGE :
      - 100VAC MIN.
    - 3-4. LOW LEVEL CONTACT RESISTANCE :
      - INITIAL 40mΩ MAX.
      - AFTER 50mΩ MAX.

4. MECHANICAL CHARACTERISTICS :
  - 4-1. MATING FORCE: 5~20N ;
  - 4-2. UNMATING FORCE: 6~20N (INITIAL), 6~20N (AFTER 10000 CYCLES) ;
  - 4-3. DURABILITY : 10,000 MATING CYCLES.
  - 4-4. OPERATING TEMPERATURE : -40° C TO +80° C

AI	GND	B12	GND
A4	VBUS	B9	VBUS
A5	CC1		
A6	DP1	B7	DP2
A7	DM	B6	DM2
		B5	CC2
A9	VBUS	B4	VBUS
A12	GND	B1	GND
		B11	GND
		B10	GND