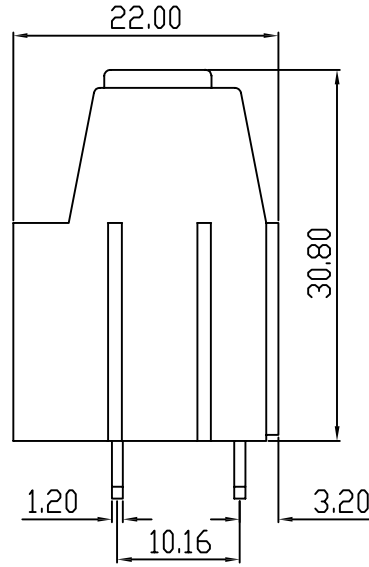
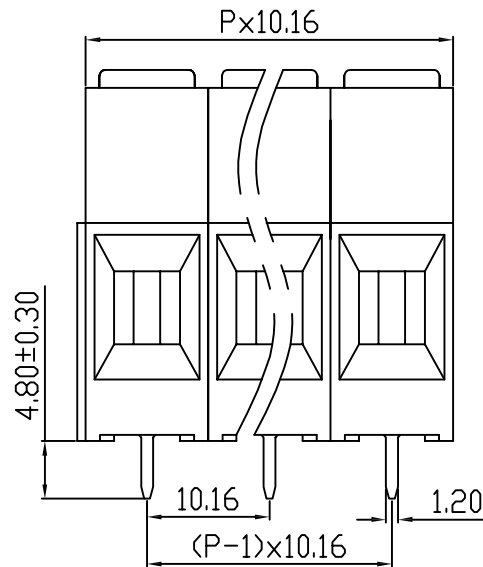
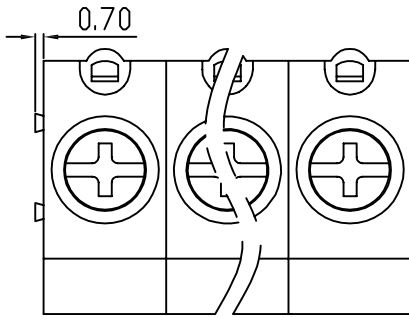
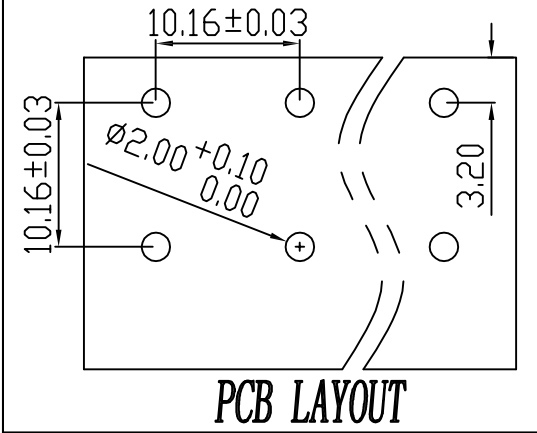


linear dimension(Tolerances Standard GB/T 14486-2008)								—	$\nabla$	$\perp$
variable range	to	over	over	over	over	over	over	to	to	to
	6	6 to 10	10 to 30	30 to 60	60 to 100	100 to 160	160 to			
tolerance	$\pm 0.20$	$\pm 0.30$	$\pm 0.50$	$\pm 0.70$	$\pm 1.00$	$\pm 1.30$	$\pm 1.60$	0.10	0.30	0.60



UL/CUL 技术参数	UL/CUL Technical Data		
等级 Use Group	B	C	D
额定电压 Rated Voltage [V]	300	-	300
额定电流 Rated Current [A]	65	-	10
接线范围 Wire Range	26-6		
单/多芯线 Solid/Stranded [AWG]			
耐电压 Withstanding Voltage	1600V/1Min		
IEC 技术参数	IEC Technical Data		
过电压类别 Overvoltage Category	III	III	II
污染等级 Contamination Class	3	2	2
额定电压 Rated Voltage [V]	630	1000	1000
额定电流 Rated Current [A]	57	57	57
额定冲击电压 Impulse withstand voltagea [KV]	8.0	8.0	8.0
导线截面积 Conductor cross section	10.0		
硬质/柔性导线 Solid/ flexible [mm <sup>2</sup> ]			
材料 Material			
绝缘材料 Insulation Material	PA66		
阻燃等级 Imflammability	UL94V-0		
导体材料 Contactor Material	铜合金 Copper alloy		
导体表面镀层 Contactive Coating	镀锡 Tin Plated		
一般参数 Other Data			
间距 Pitch [mm]	10.16		
极数 Poles [P]	2-24		
剥线长度 Stripping Length [mm]	10		
螺丝 Screw/扭矩 Torque(Max) [N.m]	M4/1.2		
工作温度 Operating temperatur [°C]	-40~+105		
引针尺寸 Pin Dimensions [mm]	5.2		
PCB板孔径 PCB Hole Diameter [mm]	2.0		

DB136H — 10.16 — XXP — C — S/P  
 (Series No.) (Pitch) (Poles)  
 Slottef/Phillips  
 (Color) : GN:(Green) , BK:(Black) , BU:(Blue) , RD:(Red) , GY:(Gray)  
 OG:(Orange) , WT:(White) , YL:(Yellow) , CR:(Clear)

APPD: J Ting Chen 2022.4.6  
 CHKD: Duck Mao 2022.4.6  
 DRFT: Steven Lu 2022.4.6

**DORABO**

宁波地博电气有限公司  
 Ningbo Dorabo Electric CO., Ltd

NAME:

DB136H-10.16-XXP-C-P



SIZE: A4

mm (inch)

REV TO-1

TYPE: CUSTOMER\_DRAWING

SCALE: 1:1

SHEET 1/1