

客户名称： ROHS

地 址：

产品名称： 直插独石电容器

产品型号： CT40805B104K500C1 散装 CT4 0805 X7R 104±10% 50V P=2.54mm

料 号： 178MU0006

日 期： 2023-4-18

客户物料编号：

REV：4.0

承制方确认：

拟制	审核	批准
薛子文	王波	王习华

使用方确认：

开发/工程 审核	SQE 审核	批准

● 径向引线多层陶瓷电容器

RADIAL LEADED MLCC

产品型号说明 HOW TO ORDER

示例:CT4 0805 B 681 K 101 B1 T

↓ ↓ ↓ ↓ ↓ ↓ ↓

A B C D E F G H

A		B																					
<table border="1" style="width: 100%; border-collapse: collapse;"> <tr><th colspan="2" style="text-align: center;">产品类别 Product Type</th></tr> <tr><td style="text-align: center;">代号 Code</td><td style="text-align: center;">类别 Type</td></tr> <tr><td style="text-align: center;">CC4</td><td style="text-align: center;">I 类径向引线电容器 Class I Dielectric Radial Leaded & Micc</td></tr> <tr><td style="text-align: center;">CT4</td><td style="text-align: center;">II 类径向引线电容器 Class II Dielectric Radial Leaded & Micc</td></tr> </table>		产品类别 Product Type		代号 Code	类别 Type	CC4	I 类径向引线电容器 Class I Dielectric Radial Leaded & Micc	CT4	II 类径向引线电容器 Class II Dielectric Radial Leaded & Micc	<table border="1" style="width: 100%; border-collapse: collapse;"> <tr><th colspan="2" style="text-align: center;">本体尺寸规格(长×宽) Nominal Body Size(L×W)</th></tr> <tr><td style="text-align: center;">0805</td><td style="text-align: center;">0.17×0.15</td></tr> <tr><td style="text-align: center;">1206</td><td style="text-align: center;">0.20×0.18</td></tr> <tr><td style="text-align: center;">1210</td><td style="text-align: center;">0.20×0.22</td></tr> <tr><td style="text-align: center;">1812</td><td style="text-align: center;">0.34×0.26</td></tr> </table>		本体尺寸规格(长×宽) Nominal Body Size(L×W)		0805	0.17×0.15	1206	0.20×0.18	1210	0.20×0.22	1812	0.34×0.26		
产品类别 Product Type																							
代号 Code	类别 Type																						
CC4	I 类径向引线电容器 Class I Dielectric Radial Leaded & Micc																						
CT4	II 类径向引线电容器 Class II Dielectric Radial Leaded & Micc																						
本体尺寸规格(长×宽) Nominal Body Size(L×W)																							
0805	0.17×0.15																						
1206	0.20×0.18																						
1210	0.20×0.22																						
1812	0.34×0.26																						
C:		D:																					
<table border="1" style="width: 100%; border-collapse: collapse;"> <tr><th colspan="4" style="text-align: center;">温度特性 Product Type</th></tr> <tr><td style="text-align: center;">N</td><td style="text-align: center;">NPO</td><td style="text-align: center;">0±30PPm/°C</td><td style="text-align: center;">-55°C ~ +125°C</td></tr> <tr><td style="text-align: center;">B</td><td style="text-align: center;">X7R X5R</td><td style="text-align: center;">± 10%</td><td style="text-align: center;">-55°C ~ +125°C</td></tr> <tr><td style="text-align: center;">Y</td><td style="text-align: center;">Y5V</td><td style="text-align: center;">+ 80% ~ -20%</td><td style="text-align: center;">-25°C ~ +85°C</td></tr> </table>		温度特性 Product Type				N	NPO	0±30PPm/°C	-55°C ~ +125°C	B	X7R X5R	± 10%	-55°C ~ +125°C	Y	Y5V	+ 80% ~ -20%	-25°C ~ +85°C	<table border="1" style="width: 100%; border-collapse: collapse;"> <tr><th colspan="2" style="text-align: center;">标称容量 Nominal Capacitance</th></tr> <tr><td colspan="2" style="text-align: center;">前两位数字为有效数字，后一位数字表示零的个数。 First two digits are significant, and the third digit is number of zeros. 例如: For example: 104=100000PF 5R6=5.6PF</td></tr> </table>		标称容量 Nominal Capacitance		前两位数字为有效数字，后一位数字表示零的个数。 First two digits are significant, and the third digit is number of zeros. 例如: For example: 104=100000PF 5R6=5.6PF	
温度特性 Product Type																							
N	NPO	0±30PPm/°C	-55°C ~ +125°C																				
B	X7R X5R	± 10%	-55°C ~ +125°C																				
Y	Y5V	+ 80% ~ -20%	-25°C ~ +85°C																				
标称容量 Nominal Capacitance																							
前两位数字为有效数字，后一位数字表示零的个数。 First two digits are significant, and the third digit is number of zeros. 例如: For example: 104=100000PF 5R6=5.6PF																							
E:		F:																					
<table border="1" style="width: 100%; border-collapse: collapse;"> <tr><th colspan="3" style="text-align: center;">容量偏差 Tolerance</th></tr> <tr><td style="text-align: center;">J</td><td style="text-align: center;">± 5.0%</td><td style="text-align: center;">NPO</td></tr> <tr><td style="text-align: center;">K</td><td style="text-align: center;">± 10%</td><td style="text-align: center;">X7R X5R</td></tr> <tr><td style="text-align: center;">M</td><td style="text-align: center;">± 20%</td><td style="text-align: center;">X7R X5R</td></tr> <tr><td style="text-align: center;">Z</td><td style="text-align: center;">+80% ~ -20%</td><td style="text-align: center;">Y5V</td></tr> </table>		容量偏差 Tolerance			J	± 5.0%	NPO	K	± 10%	X7R X5R	M	± 20%	X7R X5R	Z	+80% ~ -20%	Y5V	<table border="1" style="width: 100%; border-collapse: collapse;"> <tr><th colspan="2" style="text-align: center;">额定电压 Rated Voltage</th></tr> <tr><td colspan="2" style="text-align: center;">前两位数字为有效数字，后一位数字表示零的个数。 First two digits are significant, and the third digit is number of zeros. 例如: For example: 500=50V 101=100V</td></tr> </table>		额定电压 Rated Voltage		前两位数字为有效数字，后一位数字表示零的个数。 First two digits are significant, and the third digit is number of zeros. 例如: For example: 500=50V 101=100V		
容量偏差 Tolerance																							
J	± 5.0%	NPO																					
K	± 10%	X7R X5R																					
M	± 20%	X7R X5R																					
Z	+80% ~ -20%	Y5V																					
额定电压 Rated Voltage																							
前两位数字为有效数字，后一位数字表示零的个数。 First two digits are significant, and the third digit is number of zeros. 例如: For example: 500=50V 101=100V																							
G:		H:																					
<table border="1" style="width: 100%; border-collapse: collapse;"> <tr><th colspan="5" style="text-align: center;">引线形式 Leads Type</th></tr> <tr><td style="text-align: center;">A1</td><td style="text-align: center;">B1</td><td style="text-align: center;">C1</td><td style="text-align: center;">B2</td><td style="text-align: center;">C2</td></tr> </table>		引线形式 Leads Type					A1	B1	C1	B2	C2	<table border="1" style="width: 100%; border-collapse: collapse;"> <tr><th colspan="2" style="text-align: center;">包装代码 Packaging code</th></tr> <tr><td style="text-align: center;">T 表示全盘式纸袋包装 T=reeled</td><td style="text-align: center;">无代码表示散包装 no code is bulk package</td></tr> </table>		包装代码 Packaging code		T 表示全盘式纸袋包装 T=reeled	无代码表示散包装 no code is bulk package						
引线形式 Leads Type																							
A1	B1	C1	B2	C2																			
包装代码 Packaging code																							
T 表示全盘式纸袋包装 T=reeled	无代码表示散包装 no code is bulk package																						

● 尺寸、工作电压、容量工作关系表

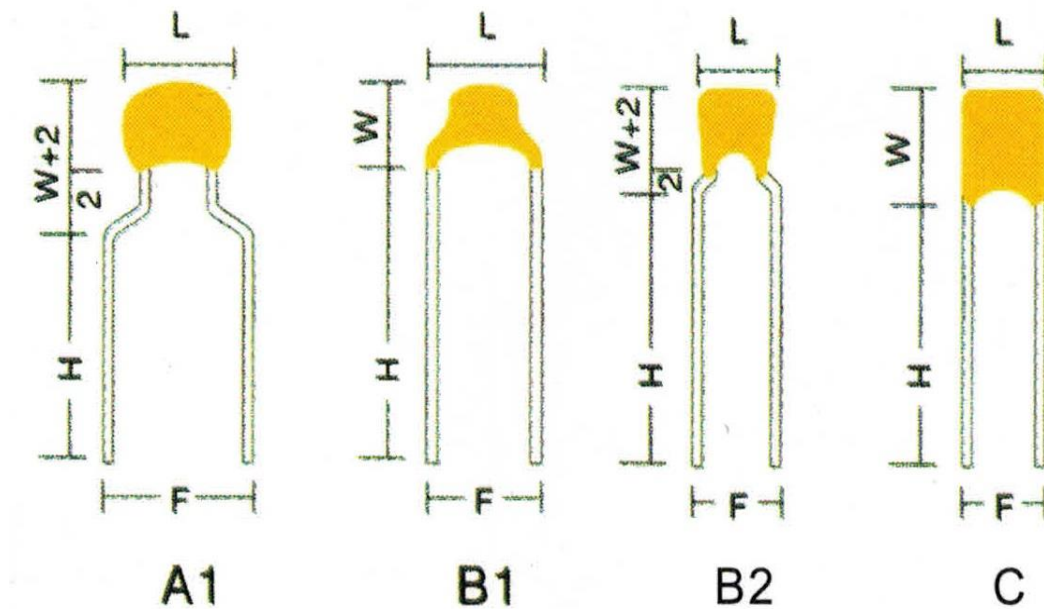
SIZ CODE , CAPACITANCE AND VOLTAGE

尺寸 Size	外形 Shape	外形尺寸 (单位 mm) Dimensions (Unit: mm)					工作 电压 Rated voltage	标称容量范围 Available Capacitance Range		
		F ±0.5	H ±1	长 MAX	宽 MAX	厚 MAX		N NPO	B X7R	Y Y5V
0603 0805	A1	5.0	10.0	4.4	4.0	3.0	50V	0R5-222	221-105	103-684
	B1	5.0	10.0	5.8	4.8	3.6	100V	0R5-102	221-683	
	C1	2.5	10.0	4.2	3.8	3.5				
1206	B2	5.0	10.0	5.6	4.3	3.8	50V	0R5-472	102-105	103-105
	C2	2.5	10.0				100V	0R5-392	102-683	
1210	B2	5.0	10.0	7.2	5.5	4.2	50V	561-682	102-205	104-155
							100V	561-472	102-104	
1812	B2	5.0	10.0	8.5	8.5	4.5	50V	102-103	103-334	154-335
	100V						102-682	103-224		

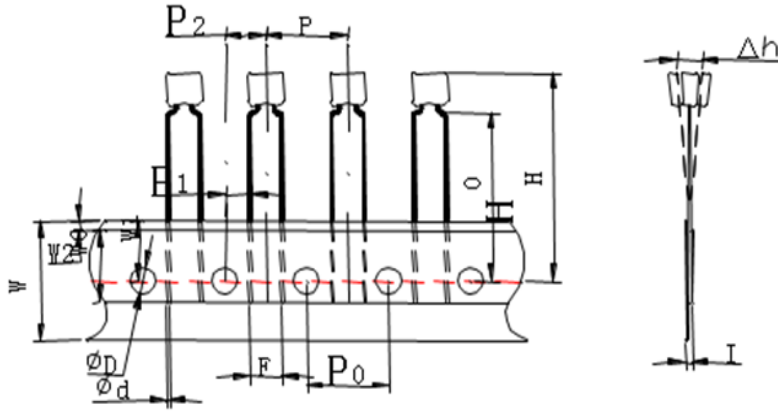
*其它规格可直接和我们联系

Other are available, contact HY

G图示



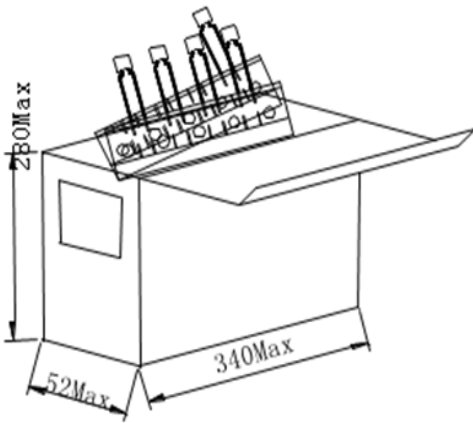
包装形式 PACKING STYLE



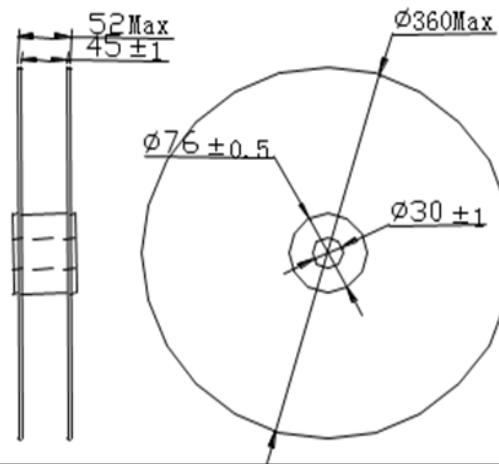
Note: $P_1=3.85\text{mm}$ for $F=5.08\text{MM}$; $P_1=5.1\text{MM}$ for $F=2.54\text{mm}$

代号 Code	P	P ₀	P ₁	P ₂	ϕ_d	Δh	W	W ₀	W ₁	W ₂	H	H ₀	I	ϕ_D
尺寸 Dim	12.7	12.7	$\frac{3.85}{5.1}$	6.35	0.5	3.3	18.5	8	9	0.8	27	15-20	1.42	4.0
误差 TOL	± 1.0	± 0.2	± 0.7	± 1.3	± 0.1	± 1.0	± 1.0	± 1.0	± 0.5	± 1.5	Max	± 0.5	Max	± 0.2

盒带包装 AMMO PACKING



卷带包装 TAPE & REEL PACKING



- 引线陶瓷电容器（径向,轴向）LEADS CERMIC CAPACITOR(RADIA.AXIAL)
- 特性 Feature

*体积小, 容量大, 适合自动安装的卷 (编) 包装.

Miniature size, large capacitance, tape and reel packaging suitable for auto-placement

*环氧树脂封装, 从而具有优良的防潮性能、机械强度及耐热性。

Epoxy resin coating creates excellent performance in humidity resistance, mechanical strength and heat resistance

*工业生产标准尺寸及多种脚型产品

Standard size, various lead configuration

● 通用型引线 MLCC 可靠性及测试方法

项目 Item	技术要求 Technical Specification		测试方法和备注 Test Method and Remarks		
容量 Capacitance(C)	I 类 Class I	应符合指定的误差级别 Within the specified tolerance.	标称容量 Capacitance	测试频率 Measuring Frequency	测试电压 Measuring Voltage
			≤1000pf	1MHZ±10%	1.0V
			>1000pf	1KHZ±10%	
	II 类 Class II	应符合指定的误差级别 Within the specified tolerance.	对于 II 类电容器, 测试前应先预处理 The capacitor should be pretreated before measured.		
			测试频率 Measuring Frequency	测试电压 Measuring Voltage	
			1KHZ±10%	B	Y
				1.0V	0.3V
损耗角正切 Dissipation Factor (DF)	I 类 Class I	CR ≥ 50PF DF ≤ 0.15% CR ≥ 50PF DF ≤ 0.15% [(150/CR)+7] × 10 ⁻⁴	标称容量 Capacitance	测试频率 Measuring Frequency	测试电压 Measuring Voltage
			≤1000pf	1MHZ±10%	1.0V
			>1000pf	1KHZ±10%	
	II 类 Class II	B	DF ≤ 3.5%	测试频率: 1KHZ ± 10% 测试电压: 1.0V Measuring Frequency Measuring Voltage	
	Y	≤7.5% (CR ≤ 0.1uF) (1uF > CR ≥ 0.1uF) ≤15% (CR ≥ 1uF)	测试频率: 1KHZ ± 10% Measuring Frequency: 1KHZ ± 10% 测试电压: 0.5V Measuring Voltage : 0.5V		
绝缘电阻 Insulation Resistance	I 类 Class I	C ≤ 10nF IR ≥ 10000M Ω C > 10nF R.C ≥ 100M Ω .uF	测试电压: 额定电压 Measuring Voltage : Rated Voltage 测试时间: 60 ± 5 秒 Duration: 60 ± 5s		
	II 类 Class II	C ≤ 25nF IR ≥ 4000M Ω C > 25nF R.C ≥ 100M Ω .uF			
项目 Item	技术要求 Technical Specification		测试方法和备注 Test Method and Remarks		

耐电压 Withstanding Voltage	不应有介质被击穿或损伤 No breakdown or damage		端子间: 持续时间: 5±1 秒 Between terminals: Duration: 5±1s 测试电压: Measuring Voltage: I 类: 300% 额定电压 Class I: 300% Rated voltage II 类: 250% 额定电压 Class II: 250% Rated voltage 充/放电电流不应超过 50mA The charge/discharge current is less than 50mA
			端子与外装间: Between terminals and body: 施加电压: 2.5UR 持续时间: 1~5S Voltage: 2.5UR Duration: 1~5S 金属小球法 Small metallic ball method 将电容器本体插入盛满直径为 1mm 的金属小球的容器中, 但保留距端头处 2mm 的本体不插入, 试验电压施加在短路回路端子和金属小球之间。 Small metallic balls with 1mm diameters shall be Put in a vessel and the be submerged except 2mm From the top of its component body and the terminals. The test voltage shall be applied between the short-circuited terminals and the metallic balls.
可焊性 Solder ability	上锡率应大于 95% Lead wire shall be at least 95 covered with a new solder coating		将电容器引线浸入含有 25% 松香的酒精溶液中, 然后浸入温度: 230±5℃ 的金属焊锡中 2±0.5 秒. 注意: 电容器本体底面距离锡面约 1.5~2mm, The lead wire of capacitor is dipping into 25% rosin Solution of ethanol and then into molten solder of 230±5℃ For 2±5s. In both cases the depth of dipping is up to about 1.5~2mm from the terminal body.
耐焊接热 Resistance to Soldering Heat	项目 Item Class I	C/C ≤ ±2.5% or ±0.25Pf 取较大值 Whichever is larger	锡温: 260±5℃ 时间: 10 ±1s Solder temperature: 260±5℃ 浸入条件: 将电容器插入厚度为 1.6mm. 孔径为 1.0 mm PC 板。 Immersed conditions: Inserted into the PC board 对于 I 类价质, 试验后, 应在标准条件下恢复 4-24 小时后才测试。 For class I, 4 to 24 hours of recovery under the standard Condition after test. 对于 II 类价质, 试验后, 应在试验前应先进行如下预处理: 150+0/-10℃, 1 小时, 接着在标准条件下恢复 48±4 小时。 Reconditioning (Class II): 1 hours of preconditioning at 150+0/-10℃, Followed by 48±4 hours of recovery under the standard condition. 恢复: 对于 II 介质试验后, 应在标准条件下恢复 48±4 小时. 才测试。 Recovery (Class II): 48±4 hours of recovery under the standard Condition after test.
		B ±10%	
		Y ±20%	
	外观无可见损伤 Appearance: No Significant abnormality		
项目 Item	技术要求 Technical Specification		测试方法和备注 Test Method and Remarks
端头强度	抗拉强度	无引线断裂、松动等可见	固定电容器本体, 沿引线方向步施加力直至 10N, 然后保持 10±1 秒。 apply the Force gradually to each lead in the radial direction of the Capacitor until reaching

Terminal Strength	Tensile Strength h	不良 No abnormality Such as cut lead. Or	10N and then applied the force for 10±1 Seconds.				
	弯折强度 Bendin g Strengt h	Looseness.	对电容器引出端施加-0.25Kg 的力，使引线弯曲 90 度，持续 5S，然后回到原始位置，接着反方向操作一次作为一个循环，共重复 2 次。 Each lead wire shall be subjected to a force of 0.25kg and then be bent a angle of 90 degree then Returned to initial position. This operation is Done over a period of 5 second. Then second bend In the opposite direction shall be made, ,repeat 2 times.				
温度循环 Temperat ure cycle	外观无可见损伤 No significant Abnormality in appearance	容量变化 Capacitance change: I 类介质 Class I: ≤5% or ±0.5pf II 类介质: Class II: B ≤ ±12.5/ % Y: ≤ ±30 %	对于 II 类介质,在试验前应先进行如下预处理:150+0/-10℃ ,1 小时接着在标准条件下恢复 48 ±4 小时。 Preconditioning : As For Class II, dielectric,1 hour Of preconditioning at 150+0/-10℃, followed by 48±4 hours Of recovery under the standard condition. 恢复:对于 II 类介质试验后,应在标准条件下恢复 48±4 小时.后才测试,对于 I 类介质应恢复 1 小时。 Recovery: As For Class II, 48±4 hours of recovery Under the standard condition after test. And for Class I,1 hours of recovery under the standard Condition after test 循环次数: 5 Number of cycle:5 以下为一次循环的条件 Conditions for 1 cycle:				
	损耗角正切 Dissipation Factor: I 类介质:小于原值的 2 倍。 Class I :Not more than twice of initial value. II 类介质 Class II: B: ≤5.0% Y ≤12.5% (CR ≤0.1uF) ≤15.0% (1uF > CR >0.1uF) ≤17.5% (CR >0.1uF)		阶段 Step	温度 (°C) Temperature (°C)			时间 (分钟) Time (min)
			NPO X7R	X5R	Y5V		
			1	常温 Room Temp.			2-3
			2	-55	-25+0/-3	+10	30
			3	常温 Room Temp.			2-3
			4	125	+ 80 + 3/-0	85	30
	绝缘电阻 ≥1000M Ω or 50M Ω .Uf Insulation Resistance: 取较小值 Whichever is smaller		5	常温 Room Temp.			2-3

项目 Item	技术要求 Technical Specification	测试方法和备注 Test Method and Remarks			
高温 负荷 High	外观无可见损伤 No significant abnormality In appearance	温度: Temperature			
	容量变化	NPO X7R	X5R	Y5V	

		125 +3/-0°C	85+3/-0°C
Temperature Load Test	Capacitance Change: I 类介质 Class I: $\leq \pm 3\%$ or $\pm 0.3\text{pF}$ 取较大值 Whichever is larger. II 类介质 Class II: B: $\leq \pm 12.5\%$ Y: $\leq \pm 30\%$ 损耗角正切 Dissipation Factor: I 类介质: 小于原值的 2 倍. Class I :Not more than twice of initial value II 类介质 Class II: B: $\leq 5.0\%$ Y $\leq 12.5\%$ (CR $\leq 0.1\mu\text{F}$) $\leq 15.0\%$ ($1\mu\text{F} > \text{CR} > 0.1\mu\text{F}$) $\leq 17.5\%$ (CR $\geq 1\mu\text{F}$)	电压: 1.5 倍额定电压 Applied voltage : 1.5times rated voltage 充放电电流不超过 50Ma 时间:1000+48/-0 hours 恢复时间: Recovery Time: I 类介质:24 \pm 2 小时 Class I Dielectric: 24 \pm 2 hours II 类介质:48 \pm 4 小时 Class II Dielectric: 48 \pm 4 hours	
	绝缘电阻 Insulation Resistance: $\geq 500\text{M}\Omega$ or $25\text{M}\Omega \cdot \text{Uf}$ 取较小值 Whichever is smaller		
耐溶剂性 Solvent Resistance	外观无可见损伤或异常,标记清晰. No defects or abnormalities in Appearance, and legible marking.	溶剂温度:23 \pm 5°C Solvent temperature: 23 \pm 5°C 将样品浸在溶剂中 1 分钟,用脱脂棉在样品有标志部位刷 10 次,重复 3 次. Put the sample into solvent 1min,and then Take it out and brush sample, notation area 10 times with pledgt, repeat 3times.	

*以上所示标准条件解释如下:

温度:5~35°C,湿度:45~85%,气压:86~106kpa

*Note on standard condition: "standard condition" referred to here in should be defined as forllows:5 to 35°C of temperature,45 to 75% of relative humidity, and 86 to 106kpa of atmospheric pressure.

若测试结果有争议时,仲裁试验用标准大气条件为:

温度:25 \pm 1°C,相对湿度:48%~52%, 气压:86~106 kpa

*When there are questions concerning measurement results : In order to provide correlation data, the test should be conducted under a condition of 25 degrees plus/minus1 centigrade of temperature,48% through52% of relative humidity and 86 through 106kpa of atmospheric pressure.