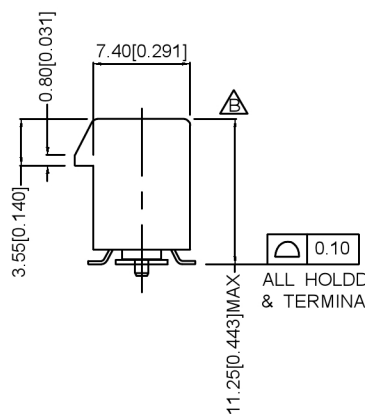


**SECTION F-F**



DIMENSIONS					
POSITION	A±0.20	B±0.20	C±0.25	D±0.25	E±0.25
36	6	7.65	9.15	25.00	27.00
64	20	21.65	23.15	39.00	41.00
98	37	38.65	40.15	56.00	58.00
164	70	71.65	73.15	89.00	91.00

NOTES 注释:

1. MATERIAL 材料:
  - 1.1 HOUSING 外壳: THERMOPLASTIC, HIGH TEMP., UL94V-0; COLOR: BLACK.
  - 1.2 CONTACTS 触点: COPPER ALLOY.
  - 1.3 HOLDDOWN 压具: COPPER ALLOY.
2. FINISH 饰面:
  - 2.1 CONTACT 触点: SELECTIVE GOLD PLATING ON CONTACT AREA. 100μ" MIN. MATTE TIN PLATING ON SOLDER TAILS, 50μ" MIN. NICKEL UNDERPLATING OVERALL.
  - 2.2 HOLDDOWN 压具: 100μ" MIN. MATTE TIN PLATING WITH 50μ" MIN. NICKEL UNDERPLATE OVERALL

X3113 W V S - XX - 9T V01

- ① ② ③ ④ ⑤ ⑥ ⑦

- ① Series Number
- ② Terminal form: W-Wafer
- ③ Welding Board Angle : V-Stright Angle 180°
- ④ Welding Way: S-SMT
- ⑤ No. of Pins: 36~164 Pin
- ⑥ Plastic material: PA9T/PA46 UL94V-0
- ⑦ Contact Plating: V01-Gold Flash  
V15-Gold 15u"  
V30-Gold 30u"

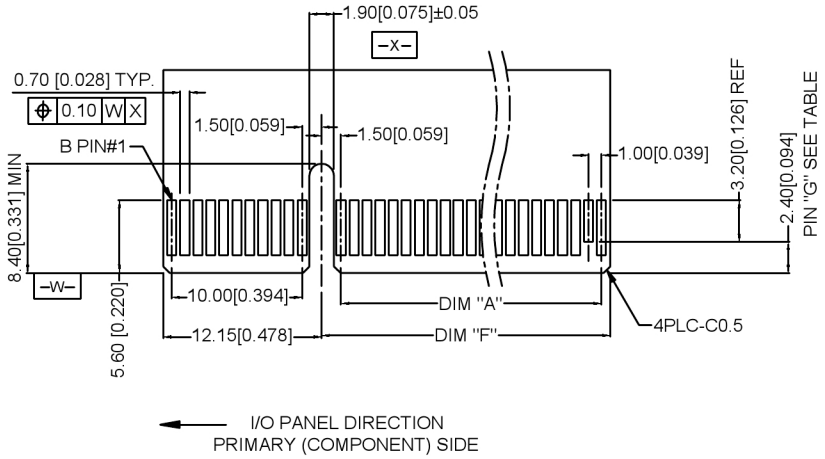
广东星坤科技股份有限公司

MARK	REVISIONS	DESCRIPTION	DATE	REVISED	APPROVED	ANGLAR	±5°
ΔX		日期				L ≤ 4	±0.2
ΔX		日期				4 < L ≤ 16	±0.3
ΔX		日期				16 < L ≤ 63	±0.4
						L > 63	±0.5
						UNSPECIFIED TOLERANCES	

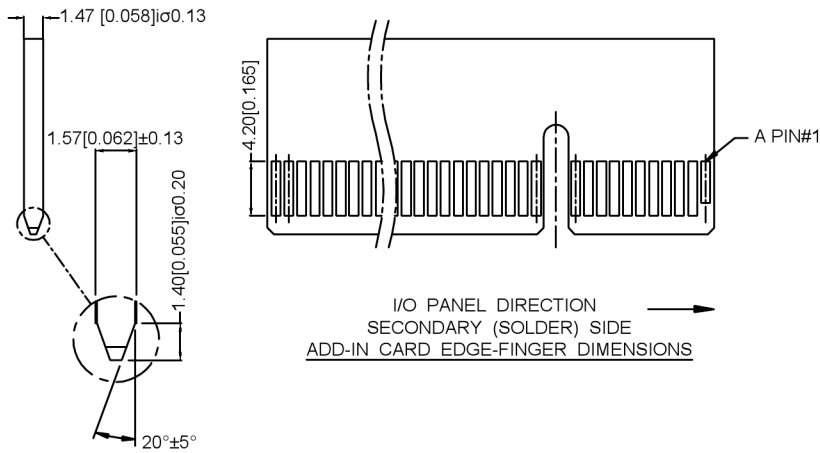


DSND		SCALE: N/A	MODEL TYPE:
DWN		VIEW:	PART NO.: X3113WVS-XX-9TV01
CHKD		UNIT: mm/in	DWG NO.: X-X3113WVS-XX-9TV01
APPD		SIZE: A4	WEIGHT SHEET REVISION
			1/1 A0

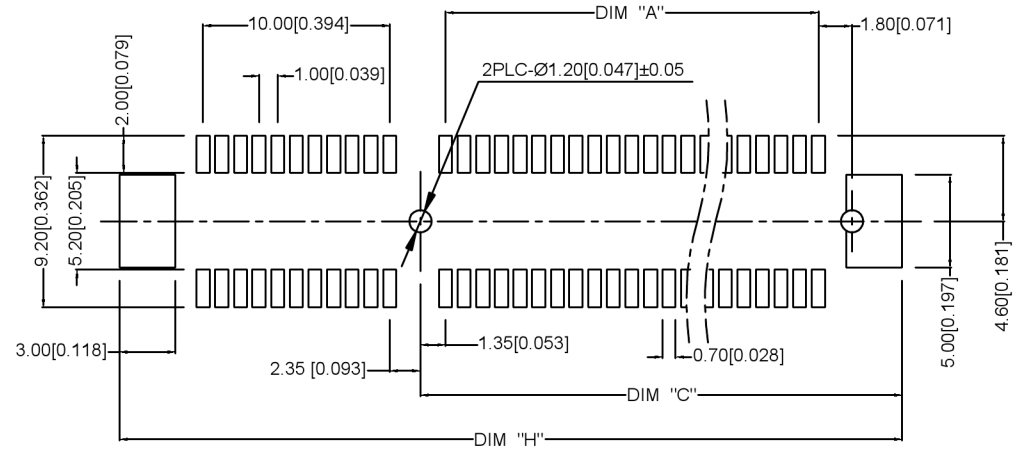
XKB INDUSTRIAL PRECISION CO., LIMITED



DIMENSIONS					
POSITION	A±0.10	F±0.20	C±0.10	G	H±0.10
36	6	8.15	9.15	B PIN#17	28.00
64	20	22.15	23.15	B PIN#31	42.00
98	37	39.15	40.15	B PIN#48	59.00
164	70	72.15	73.15	B PIN#81	92.00



SCALE 2:1



RECOMMENDED PCB LAYOUT, POST TYPE

广东星坤科技股份有限公司

DATE	日期
DESCRIPTION	文件工程章
REVISIONS	

www.helloxkb.com www.helloxkb.cn www.xk-dg.cn

ANGLAR	±5°
L ≤ 4	±0.2
4 < L ≤ 16	±0.3
16 < L ≤ 63	±0.4
L > 63	±0.5
UNSPECIFIED TOLERANCES	



DSND	SCALE: N/A	MODEL TYPE:
DWN	VIEW:	PART NO.: X3113WVS-XX-9TV01
CHKD	UNIT: mm/in	DWG NO.: X-X3113WVS-XX-9TV01
APPD	SIZE: A4	WEIGHT SHEET REVISION
XKB INDUSTRIAL PRECISION CO., LIMITED		1/1 A0