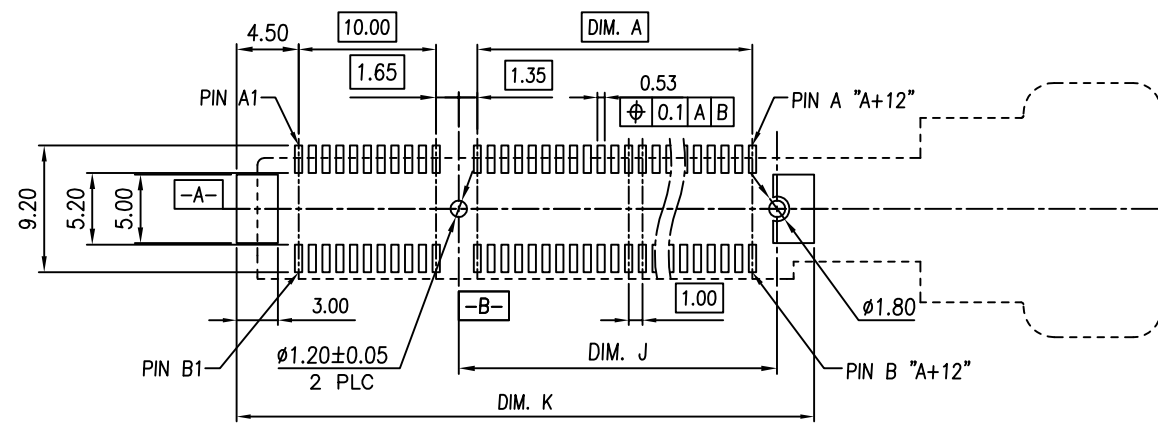


I/O PANEL DIRECTION
PRIMARY (COMPONENT) SIDE

NOTES:
CHAMFER EDGE MUST BE FREE OF CUTTING BURRS

SECONDARY (SOLDER) SIDE



RECOMMENDED PCB LAYOUT
(COMPONENT SIDE)
TOLERANCE: ±0.05

POS.	DIM. A	DIM. H	DIM. J	DIM. K
36	6	8.15	9.15	28.0
64	20	22.15	23.15	42.0
98	37	39.15	40.15	59.0
164	70	72.15	73.15	92.0

PROVISIONAL

REV	SEE SHEET 1	NAME	DATE
ECN NO.			

TOLERANCE	
LINEAR	ANGLES
X.±0.40	X'±
.X±0.30	.X'±
.XX±0.20	.XX'±
.XXX±0.10	.XXX'±

UMax 东莞市友贸实业有限公司 conn DONGGUAN UMAX ENTERPRISE LIMITED	
APPD: Jason	MAT'L:
CHKD: Schumi	FINISH:
DRWN: Lei Songping	Q'TY:

TITLE: PCI-E CARD EDGE GEN5 SMT WITH LATCH			
PART NO. 91652-XXXXXX		DWG NO. C-91652	
UNITS	SCALE	SHEET	REV
	MM	1 : 1	2 OF 3
			0

NOTES:

1. MATERIAL:

- 1.1 HOUSING: THERMOPLASTIC, HIGH TEMP, UL94V-0, COLOR: SEE PART No.
- 1.2 LATCH: THERMOPLASTIC, HIGH TEMP, UL94V-0, COLOR: SEE PART NO.
- 1.3 CONTACTS: COPPER ALLOY.
- 1.4 HOLDDOWN: COPPER ALLOY.

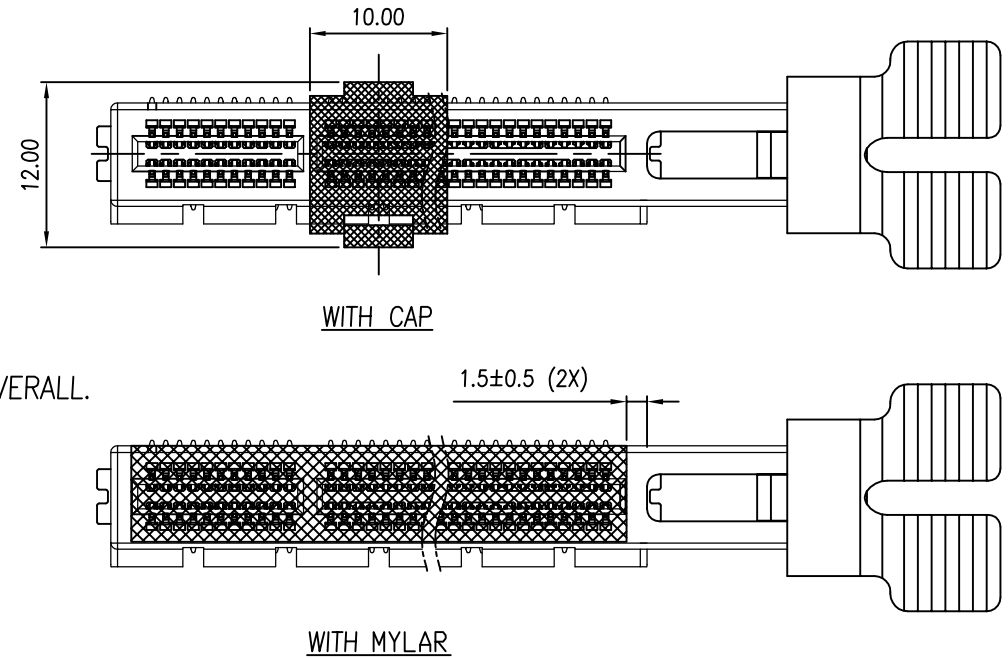
2. FINISH:

- 2.1 CONTACT:
 - SELECTIVE GOLD PLATING ON THE CONTACT AREA.
 - 100 μ " MIN. MATTE-TIN PLATING ON THE SOLDER TAILS,
 - 50 μ " MIN. NICKEL UNDERPLATING OVERALL.
- 2.2 HOLDDOWN:
 - 100 μ " MIN. MATTE-TIN PLATING WITH 50 μ " MIN. NICKEL UNDERPLATE OVERALL.

4. PRODUCT SPEC: PS-GEN5-01

5. PACKAGING SPEC: GEN504001 FOR TRAY, GEN504002 FOR HARD TRAY.

6. THE PATENT IS OBTAINED FOR UMAX



PART NO.

91652 - X X X X X X HF

Ridge Options
 0: Non Ridge
 1: With Ridge

HSG Color
 1-Black HSG + Natural LATCH
 2-Black HSG + Black LATCH

Post Options
 0: With Post
 1: Without Post

Contact Plating
 0: 30u" Gold
 1: 15u" Gold
 2: Gold Flash

Packing Options
 T-Tray Packaging
 C-Tray Packaging With Cap
 N-Tray Packaging With Mylar
 Y-Hard Tray(372x185)
 Z-Hard Tray(372x185) With Mylar
 B-Hard Tray(372x185) With Cap

No. of Pins
 0: 36P
 1: 64P
 2: 98P
 3: 164P

PROVISIONAL

TOLERANCE	
LINEAR	ANGLES
X.±0.40	X'±
.X±0.30	.X'±
.XX±0.20	.XX'±
.XXX±0.10	.XXX'±

UMax 东莞市友贸实业有限公司
conn DONGGUAN UMAX ENTERPRISE LIMITED

APPD: Jason MAT'L:
 CHKD: Schumi FINISH:
 DRWN: Lei Songping Q'TY:

TITLE: PCI-E CARD EDGE GEN5 SMT WITH LATCH

PART NO. 91652-XXXXXX

DWG NO. C-91652

	UNITS	SCALE	SHEET	REV
	MM	1 : 1	3 OF 3	0

SEE SHEET 1			
REV	ECN NO.	NAME	DATE