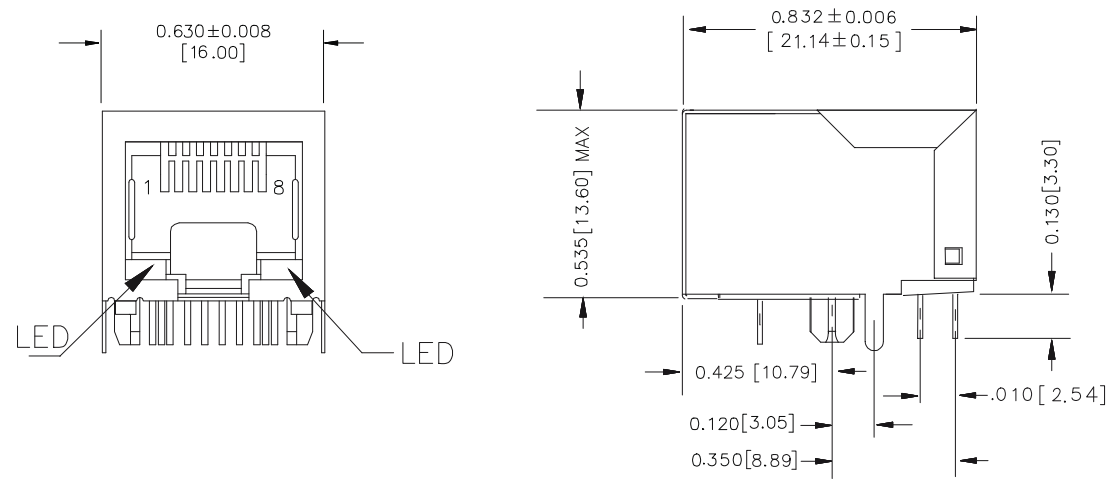


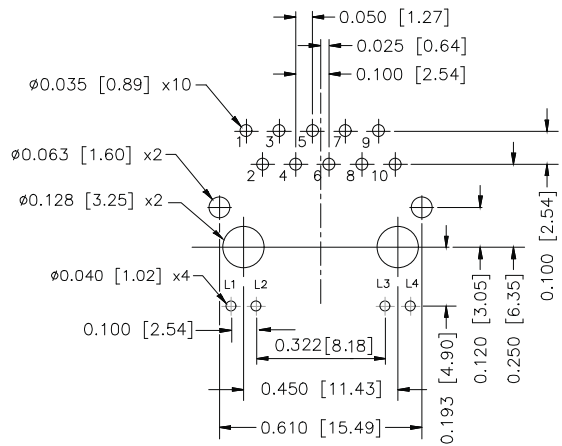
NO.	ECN NO.	DESCRIPTION	REV.	DRAW	DATE
1		新版发行	A0		20220707
2					



Dimensions: Inch [mm]  
UNLESS OTHERWISE SPECIFIED DIMENSIONAL TOLERANCE IS ±.010/0.25

### FEATURES

- 1000 Base-T RJ45 1x1 Tab-DOWN with integrated magnetics connector
- Suitable for CAT 5 & 6 Fast Ethernet Cable or better UTP
- 350 μH minimum OCL with 8 mA bias current
- Minimum 1500 Vrms isolation per IEEE 802.3 requirement
- Operating Temperature 0°C to +70°C
- Lead-Free & Designed to meet RoHS requirement

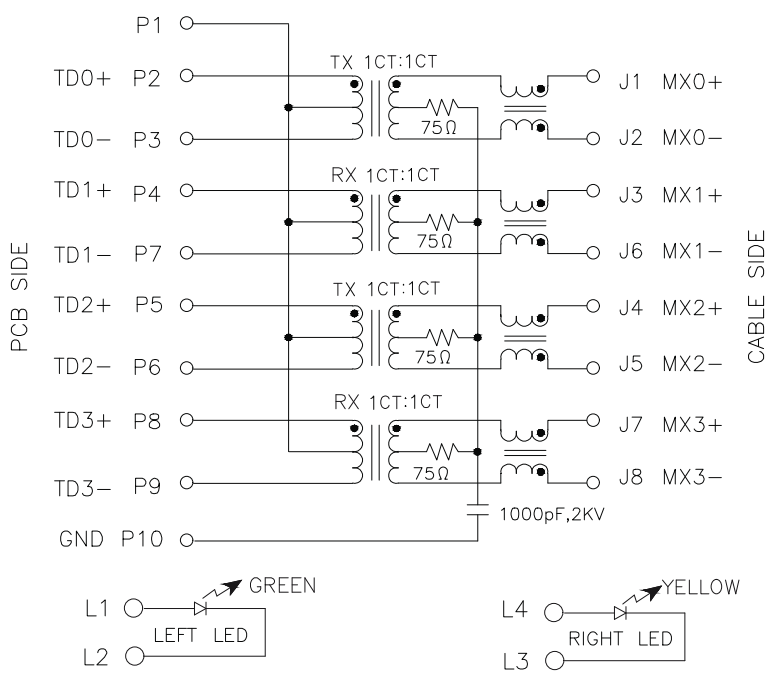


SUGGESTED PCB LAYOUT COMPONENT SIDE SHOWN  
PCB LAYOUT DIMENSIONS TO BE ±.002/0.050 UNLESS OTHERWISE SPECIFIED



未注公差 TOLERANCE UNLESS OTHERWISE SPECIFIED		E-NETTR 东莞市祥星电子有限公司 DONGGUANG XIANGXING ELECTRONICS CO., LTD			
		TEL:0769-86384669 FAX:0769-81813600		Http://www.e-nettr.com xxing.guang@163.com	
		Miss yang:13694998066 Mr Li:15013501940			
比例 SCALE		角法 PROJ.	设计 DESIGN	品号 ITEM NO.	
张数 SHEET	1/2	纸张 SIZE	A4	品名 TITLE	GRO4M1HXS008
单位 UNIT	mm	版本 REV.	A0	规格 DESC.	

NO.	ECN NO.	DESCRIPTION	REV.	DRAW	DATE
1		新版发行	A0	廖振纲	20220707
2					



PARAMETER	SPECIFICATIONS			
OPERATING TEMPERATURE	0° C to +70° C			
TURNS RATIO	1.00±2%			
POLARITY	PER SCHEMATIC			
INSERTION LOSS	0.1-100kHz			
	-1.2 dB MAX.			
PHY-SIDE RETURN LOSS (SDD11-Zref=100 OHMS ±1%)	1MHz-30 MHz	40 MHz	50 MHz	60-80 MHz
	-16 db MIM	-13.5 db MIM	-11.5db MIM	-10 db MIM
CROSSTALK, ADJACENT CHANNELS	30 MHz	60 MHz	100 MHz	
	-40db MIN	-36 db MIN	-30 db MIN	
COMMON MODE REJECTION RATIO	1MHZ-30MHZ	60MHZ	100MHZ	
	-35 dB MIN	-32 dB MIN	-30 dB MIN	
INDUCTANCE (OCL)	350 uH MIN @100 kHz, 100mV DC8mA			
DC CURRENT				
CARRING CAPABILITY				
INPUT-OUTPUT ISOLATION	1500 VRMS MIN @60 SECONDS			



未注公差 TOLERANCE UNLESS OTHERWISE SPECIFIED		<b>E-NETTR</b> 东莞市祥星电子有限公司 DONGGUANG XIANGXING ELECTRONICS CO., LTD			
		TEL:0769-86384669 FAX:0769-81813600		Http://www.e-nettr.com xxing.guang@163.com	
		Miss yang:13694998066 Mr Li:15013501940			
比例 SCALE		角法 PROJ.	⊕	设计 DESIGN	品号 ITEM NO.
张数 SHEET	2/2	纸张 SIZE	A4	校对 CHECK	品名 TITLE
单位 UNIT	mm	版本 REV.	A0	核准 APPROVAL	规格 DESC.
					GR04M1HXS008