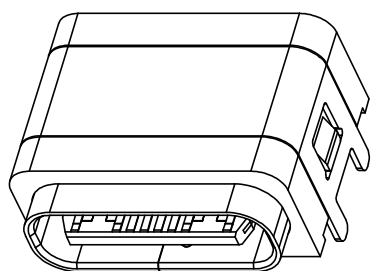
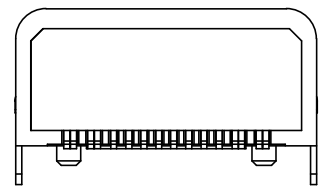
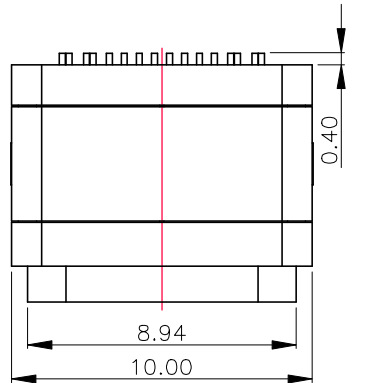




REV.	ECN NO OR DESCRIPTION	REVISED	DATE



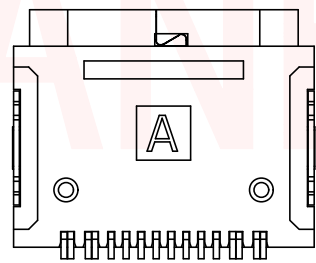
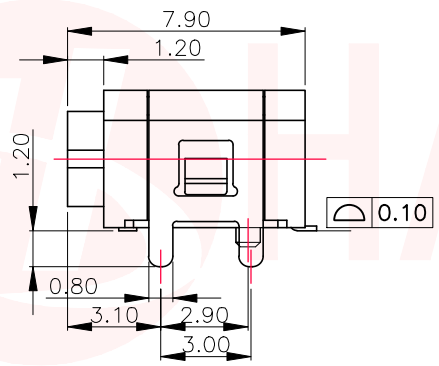
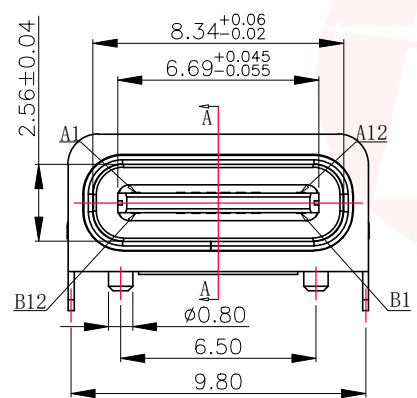
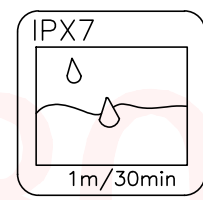
SPECIFICATION:

1.Material:
HOUSING&MOLDING:
 HIGH TEMPERATURE RESISTANT PLASTIC,
 UL94 V-0
CONTACTS:COPPER ALLOY T=0.15mm
 IDLE CLIP:SUS301-1/2H,T=0.15mm
 SHELL-1:SUS304, T=0.30mm
 SHELL-2:SUS304, T=0.20mm

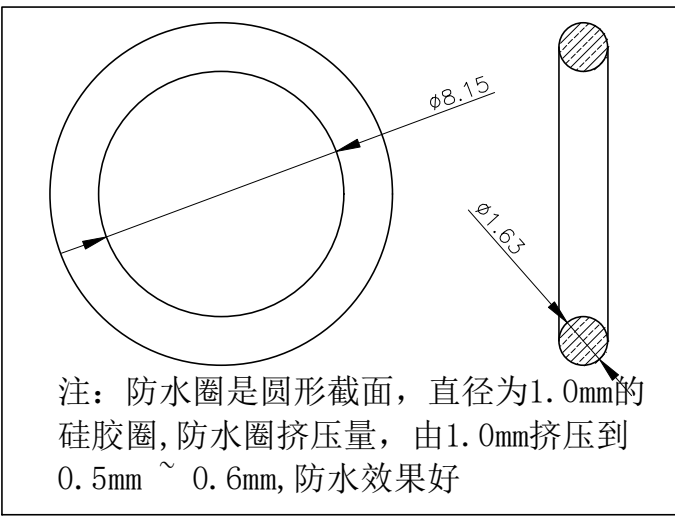
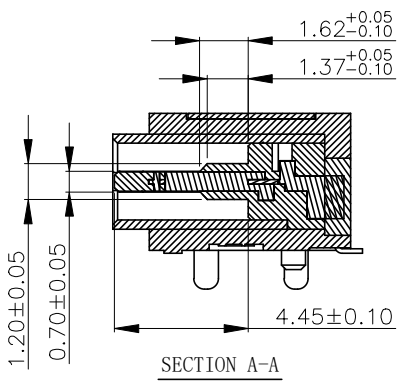
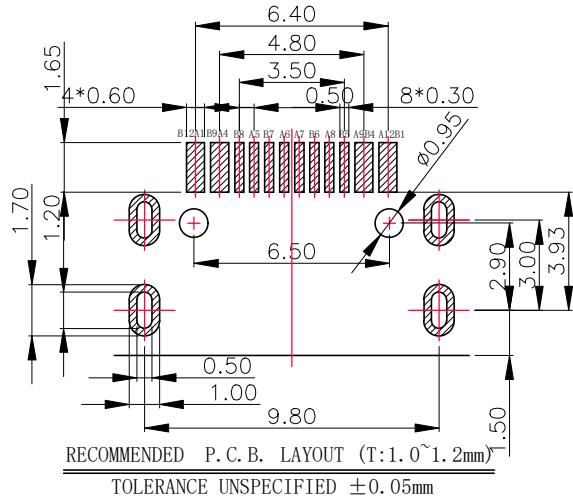
2.Mechanical:
 2.1.Mating force:0.5~2.0kgf.
 2.2.UNMATING FORCE:0.8~2.0kgf.
 0.6~2.0kgf AFTER DURABILITY TEST;
 2.3.Durability:10000 Cycles;

3.Electrical:
 3.1.Current Rating:3A Max.;
 3.2.Voltage Rating:20V Max.;
 3.3.Dielectric Withstanding voltage:100VAc;
 3.4.Contact resistance:40m Ohms Max.;
 3.5.Insulation Resistance:100M Ohms Min.;

4.Environmental:
 4.1.Operating temperature:-40°C~+85°C;
 4.2.Wetting Temperature:265±5°C,5±0.5s



PIN	SIGNAL	PIN	SIGNAL
A12	GND	B1	GND
A11		B2	
A10		B3	
A9	VBUS	B4	VBUS
A8	SBU1	B5	CC2
A7	D-	B6	D+
A6	D+	B7	D-
A5	CC1	B8	SBU2
A4	VBUS	B9	VBUS
A3		B10	
A2		B11	
A1	GND	B12	GND



UNLESS OTHERWISE SPECIFIED TOLERANCES

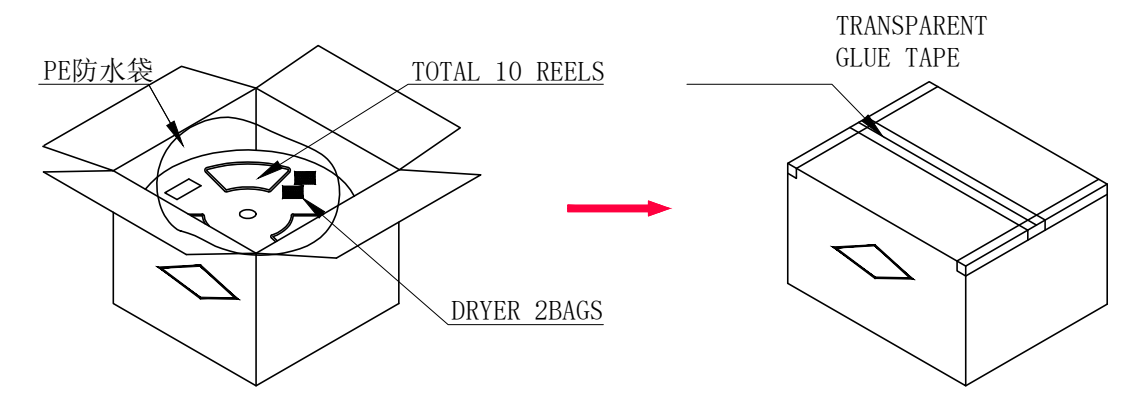
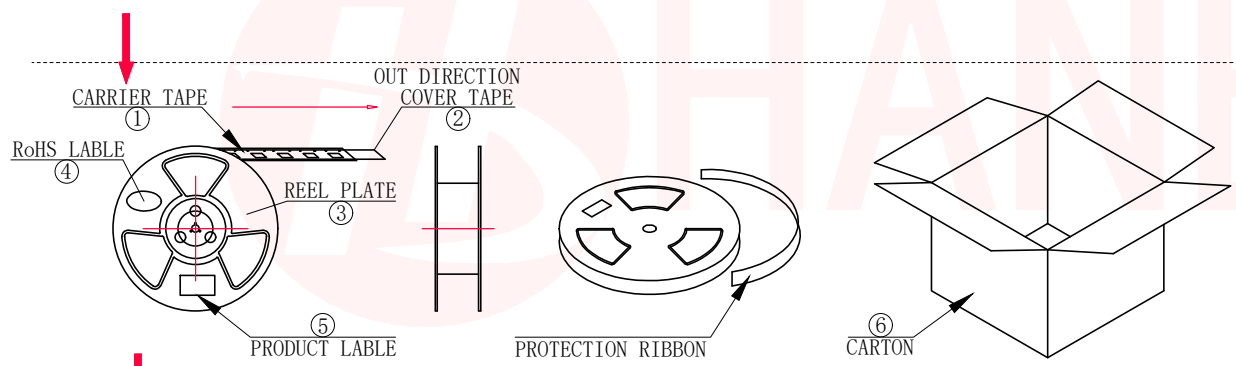
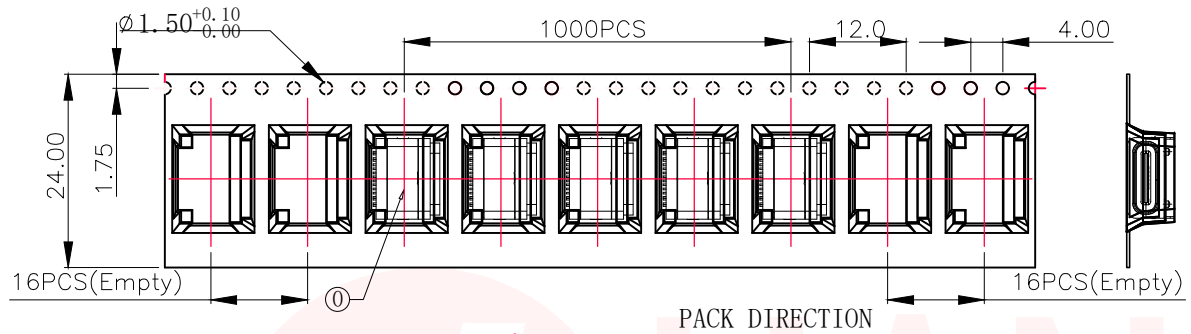
DECIMALS: ANGLES:
 X :±0.50 X :±2°
 X.X :±0.35 X.X :±1°
 X.XX :±0.25

东莞市汉博电子科技有限公司
 DONGGUAN HANBO TECHNOLOGY CO., LTD

TITLE	TYPE C 16PIN 防水母座板上型四脚带塑胶柱		
DWN	xiong	PART NO. MC-1008FLD	
CHKD	lee	SCALE:1:1	UNIT: mm
APVD	wang	SIZE: A4	SHEET:1OF 1
REV: A4			
CUSTOMER COPY			



REV.	ECN NO OR DESCRIPTION	REVISED	DATE



说明:

1. 每卷前后各空16PCS, 尾部用美纹胶纸封住;
2. 将产品放满盘后, 再卷一圈保护带, 用美纹胶纸将其封住, 并贴上1Pcs物料标签;
3. 每10卷盘一叠共10000Pcs并装入1个外箱内;
4. 在搬运过程中要轻拿轻放;
5. 在运输中不可堆放过多(1.8M最高), 不可重压;
6. 跌落测试条件:
成品箱从1.2米高度自由落体(一角三棱六面):
a. 产品不可跑出下带凹槽;
b. 产品不可有摔伤, 变形;
c. 内包装材料不可严重破损.

NO.	NAME	SPEC	Q' TY
①	TYPE C RECEPTACLE		10000PCS/CARTON
②	CARRIER TAPE	W=24mm, T=0.35mm	1000PCS/PLATE
③	COVER TAPE	W=21.5mm	10PLATES/CARTON
④	REEL PLATE	330*100*24.4mm	10PCS/CARTON
⑤	RoHS LABEL		10PCS/CARTON
⑥	PRODUCT LABEL		10PCS/CARTON
⑦	CARTON	350*340*310mm	1PCS/PACKAGE

UNLESS OTHERWISE SPECIFIED TOLERANCES

DECIMALS: X :±0.50 X.X :±0.35 X.XX :±0.15

ANGLES: X :±2° X.X :±1°

东莞市汉博电子科技有限公司
DONGGUAN HANBO TECHNOLOGY CO., LTD

TITLE: TYPE-C 16PIN 防水母座板上型-包装示意图

DWN xiong PART NO. MC-1008FLD

CHKD lee SCALE:1:1 UNIT: mm

APVD wang SIZE: A4 SHEET:1OF 1 REV: A4

CUSTOMER COPY