

### FEATURES

- Rating to 1000V PRV
- Surge overload rating to 350 Amperes peak
- Ideal for printed circuit board
- Reliable low cost construction utilizing molded plastic technique results in inexpensive product
- Lead solderable per MIL-STD-202 method 208

### MECHANICAL DATA

- Polarity: Symbols molded on body
- Weight: 0.23 ounces, 6.6 grams
- Mounting position: Any

### Maximum Ratings (@T<sub>A</sub> = 25°C unless otherwise specified)

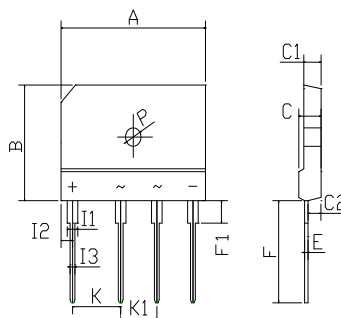
Characteristic	Symbol	KBJ25A	KBJ25B	KBJ25D	KBJ25G	KBJ25J	KBJ25K	KBJ25M	UNITS
Maximum recurrent peak reverse voltage	V <sub>RRM</sub>	50	100	200	400	600	800	1000	V
Maximum RMS voltage	V <sub>RMS</sub>	35	70	140	280	420	560	700	V
Maximum DC blocking voltage	V <sub>DC</sub>	50	100	200	400	600	800	1000	V
Maximum average forward Output current @T <sub>A</sub> =25°C	I <sub>F(AV)</sub>	25.0							A
Peak forward surge current 8.3ms single half-sine-wave superimposed on rated load	I <sub>FSM</sub>	350.0							A
I <sup>2</sup> t Rating for fusing @T <sub>j</sub> =25°C	I <sup>2</sup> t	508							A <sup>2</sup> S

### Thermal Characteristics

Characteristic	Symbol	KBJ25A	KBJ25B	KBJ25D	KBJ25G	KBJ25J	KBJ25K	KBJ25M	UNITS
Typical junction capacitance per element	C <sub>J</sub>	114							p F
Typical thermal resistance	R <sub>θJA</sub> R <sub>θJC</sub>	22 1.0							°C/W
Operating junction temperature range	T <sub>J</sub>	- 55 ---- + 150							°C
Storage temperature range	T <sub>STG</sub>	- 55 ---- + 150							°C

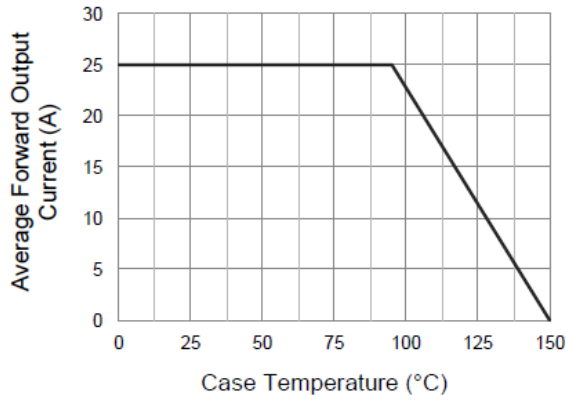
### Electrical Characteristics (@T<sub>A</sub> = 25°C unless otherwise specified)

Characteristic	Symbol	KBJ25A	KBJ25B	KBJ25D	KBJ25G	KBJ25J	KBJ25K	KBJ25M	UNITS
Maximum instantaneous forward voltage @12.5A @25A	V <sub>F</sub>	1.0 1.1							V
Maximum reverse current @T <sub>A</sub> =25°C at rated DC blocking voltage @T <sub>A</sub> =100°C	I <sub>R</sub>	5.0 0.5							μ A mA

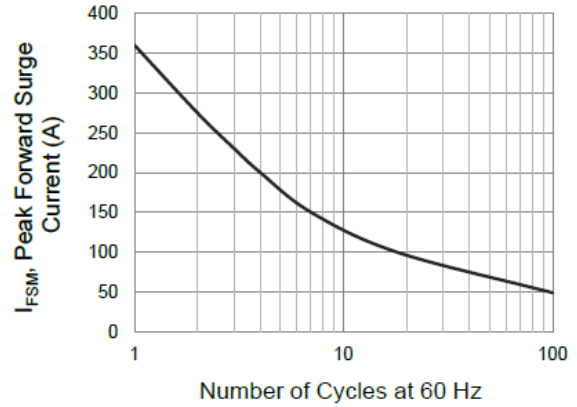


Dim	KBJ6	
	Min	Max
A	29.80	30.20
B	19.80	20.20
C	4.45	4.75
C1	3.45	3.75
C2	2.50	2.80
E	0.60	0.80
F	17.40	18.00
F1	3.60	4.20
I1	1.95	2.25
I2	2.25	2.55
I3	0.85	1.15
K	9.70	10.30
K1	7.20	7.80
P	Ø3.20Typical	
All Dimensions in mm		

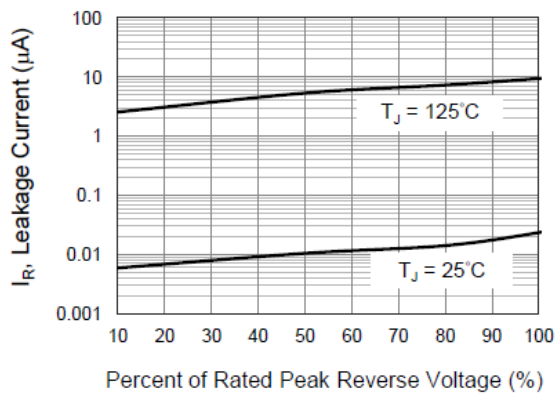
## TYPICAL CHARACTERISTIC CURVES



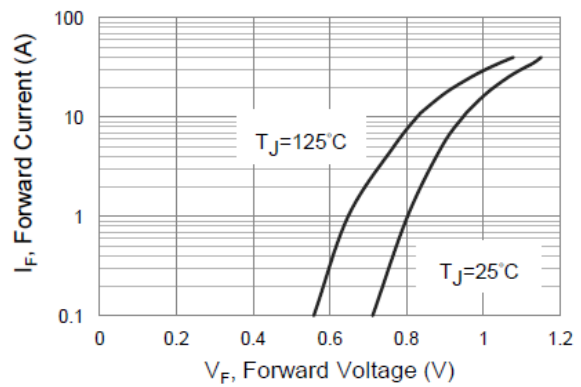
**Fig.1 Forward Current Derating Curve**



**Fig.2 Maximum Forward Surge Current**



**Fig.3 Typical Reverse Characteristics**



**Fig.4 Typical Forward Characteristics**

Device	Package	Shipping
KBJ25A--KBJ25M	KBJ6	250 Units/Box