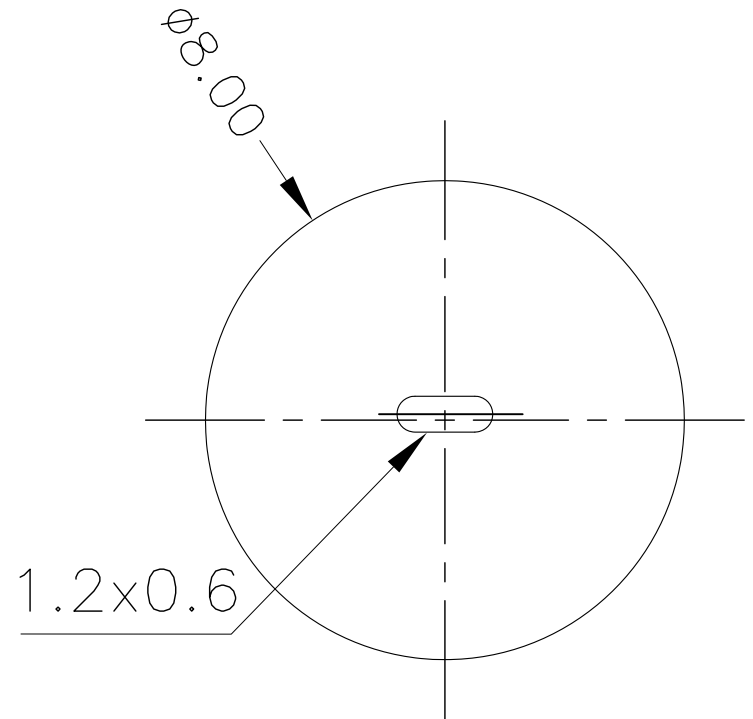
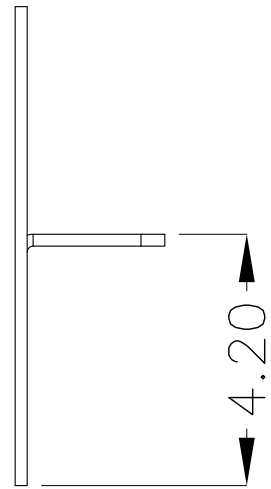
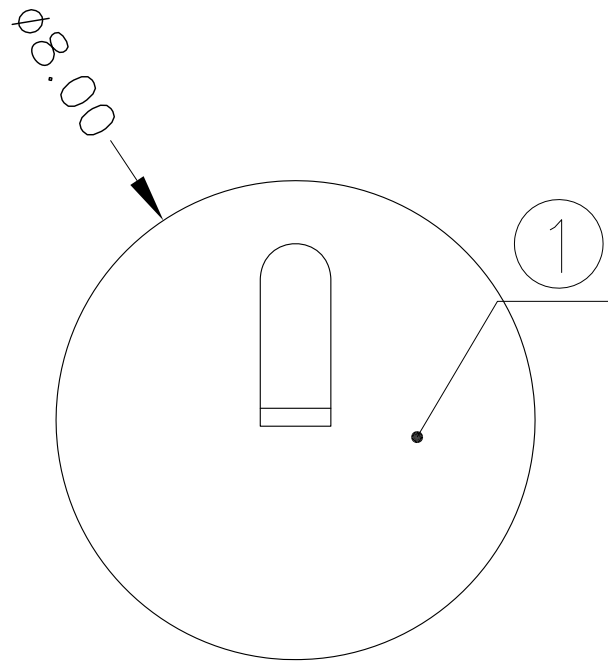


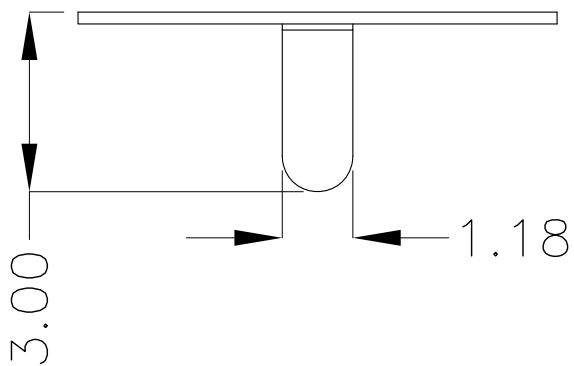


REV.	ECN NO.	REVISED	DATE



PCB Layout Diagram
Top View

工程
部
2018-09-19
LQ. HUANG



UNLESS OTHERWISE SPECIFIED TOLERANCES		MYOUNG 美阳 www.meiyangdz.com	
DECIMALS: X :±0.30 X.X :±0.25 X.XX :±0.20 X.XXX :±0.10	ANGLES: X :±1° X.X :±0.5°	DSND YangFeng	DATE 2017-07-19
		CHKD ZhouRuicai	DATE 2017-07-19
		APVD XueShunyong	DATE 2017-07-19
WEIGHT:g		SCALE: 4:1	SIZE: A4
SHEET 1 OF 1		VIEW:	REV.: A/0
		UNIT: mm	OBJECT: MY
		TITLE: 电池扣通用负极大圆钉	
		PART NO.: MY-FJ-01	
		DRAW NO.:MY-CP-0094	

1	TERMINAL(-)	1	BRASS, T=0.20mm	Ni-Plating
NO.	PART NAME	Q'TY	MATERIAL	PLATING & COLOR