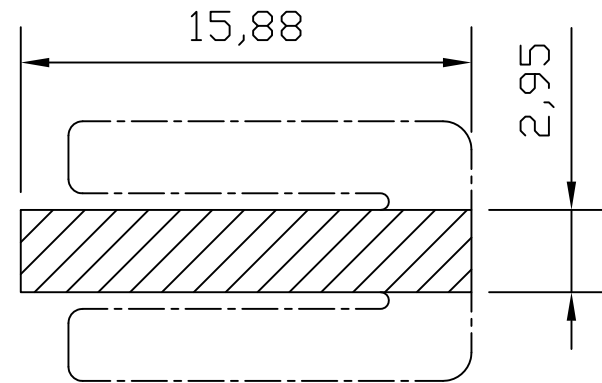
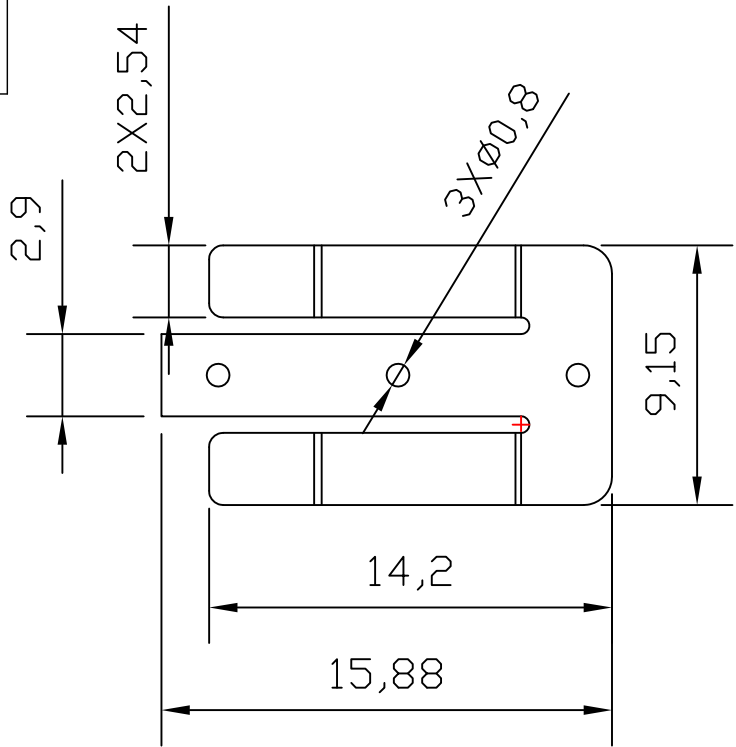
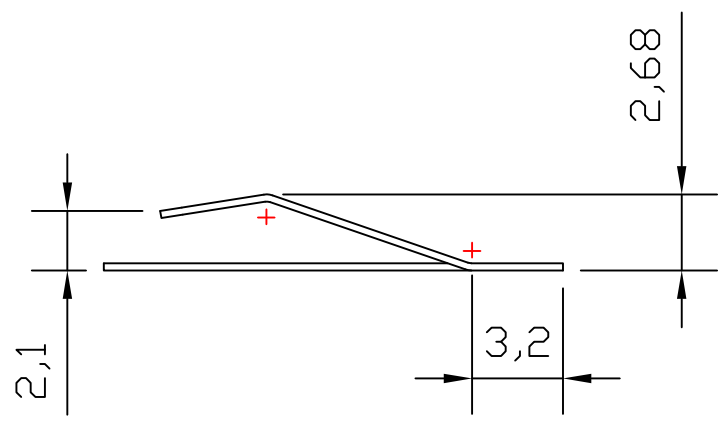
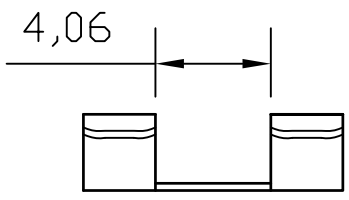
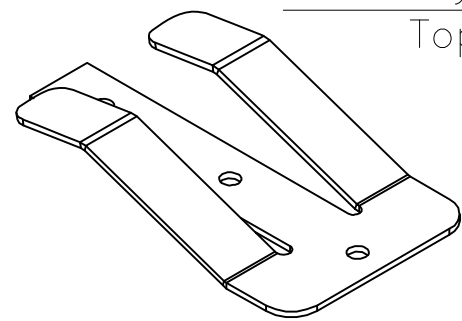




REV.	ECN NO.	REVISED	DATE



PCB Layout Diagram
Top View



UNLESS OTHERWISE SPECIFIED TOLERANCES		MYOUNG 美阳 www.meiyangdz.com	
DECIMALS: X :±0.30 X.X :±0.25 X.XX :±0.20 X.XXX :±0.10	ANGLES: X :±1° X.X :±0.5°	DSND YangFeng	DATE 2019-08-06
WEIGHT:		CHKD ZhouRuicai	DATE 2019-08-06
SHEET 1 OF 1		APVD XueShunyong	DATE 2019-08-06
		SCALE:	SIZE: A4
		UNIT: mm	REV.: A/0
		VIEW:	OBJECT: MY
		TITLE: 电池弹片-120 SMT 负极	
		PART NO.: MY-FJ-120	
		DRAW NO.:WD-CP-0063	

1	TERMINAL	1	STEEL, T=0.25mm	Sn-Plating
NO.	PART NAME	Q'TY	MATERIAL	PLATING & COLOR