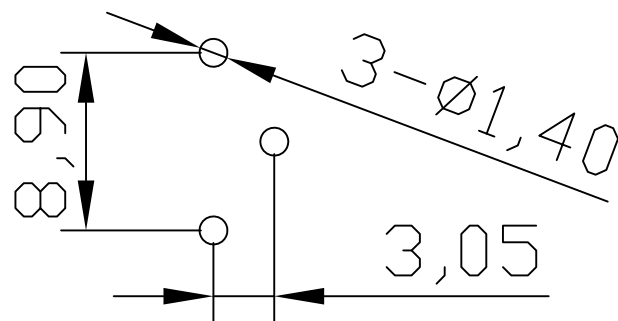
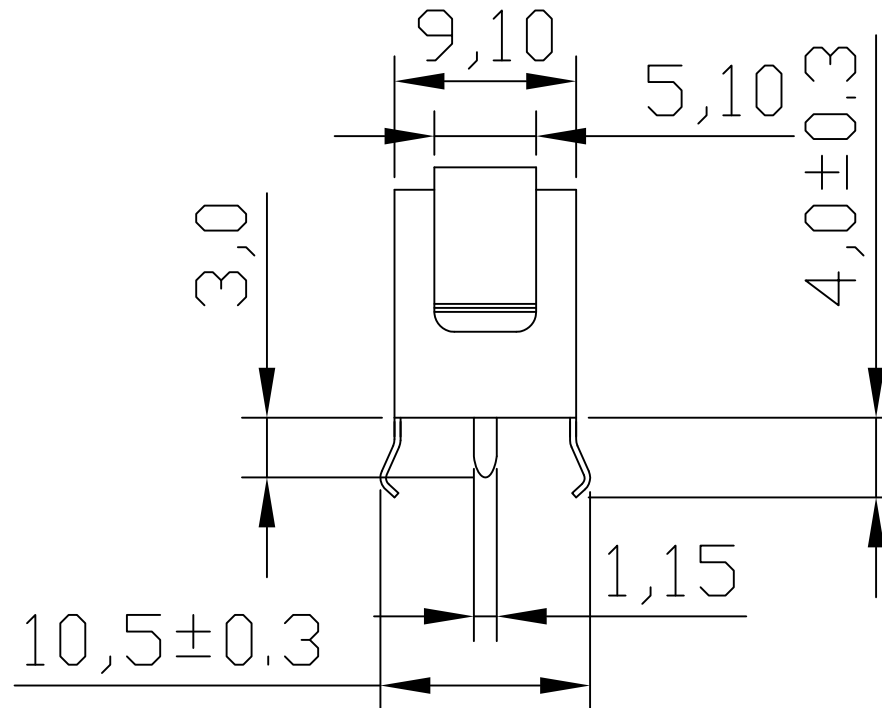
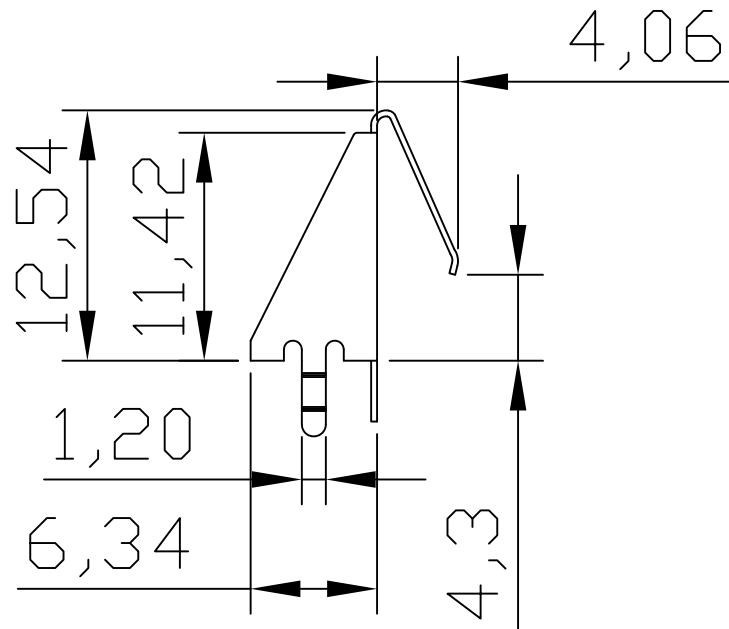




REV.	ECN NO.	REVISED	DATE



PCB Layout Diagram  
Top View

工程部  
2021-04-17  
H. WANG

UNLESS OTHERWISE SPECIFIED TOLERANCES		<b>MYOUNG 美阳</b> <a href="http://www.meiyangdz.com">www.meiyangdz.com</a>	
DECIMALS: X :±0.30 X.X :±0.25 X.XX :±0.20 X.XXX :±0.10	ANGLES: X :±1° X.X :±0.5°	DSND YangFeng	DATE 2021-04-17
WEIGHT:g		CHKD ZhouRuicai	DATE 2021-04-17
SHEET 1 OF 1		APVD XueShunyong	DATE 2021-04-17
TITLE:		TITLE: 电池弹片负极-590 3P DIP	
PART NO.:		PART NO.: MY-FJ-590	
SCALE: 4:1		SIZE: A4	VIEW:
UNIT: mm		REV.: A/0	OBJECT: MY
DRAW NO.:WD-CP-0142		DRAW NO.:WD-CP-0142	

1	TERMINAL	1	SPRING STEEL, T=0.3mm	Ni-Plating
NO.	PART NAME	Q'TY	MATERIAL	PLATING & COLOR