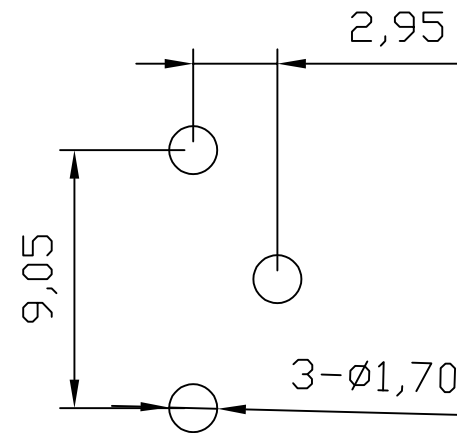
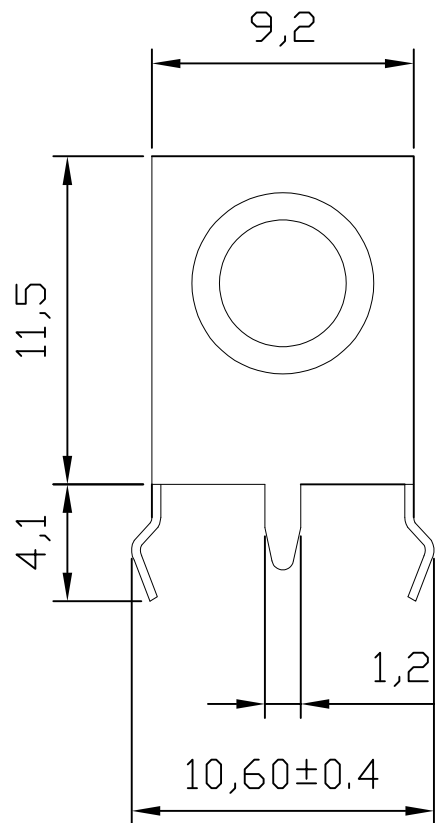
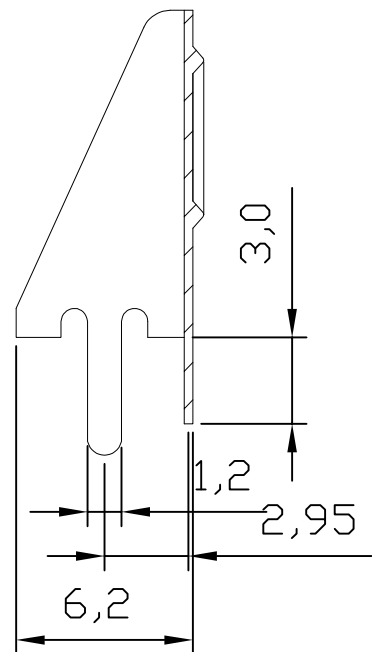
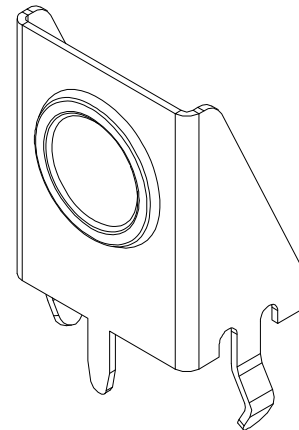




REV.	ECN NO.	REVISED	DATE



PCB Layout Diagram
Top View

工程部
2021-04-17
H. WANG

UNLESS OTHERWISE SPECIFIED TOLERANCES		MYOUNG 美用 www.meiyangdz.com			
DECIMALS: X :±0.30 X.X :±0.25 X.XX :±0.20 X.XXX :±0.10	ANGLES: X :±1° X.X :±0.5°	DSND	YangFeng	DATE	2021-04-17
WEIGHT:g		CHKD	ZhouRuicai	DATE	2021-04-17
SHEET 1 OF 1		APVD	XueShunyong	DATE	2021-04-17
TITLE:		SCALE:	4:1	SIZE:	A4
PART NO.:		VIEW:	⊙ ↺	UNIT:	mm
DRAW NO.:WD-CP-0187		REV.:	A/0	OBJECT:	MY

1	TERMINAL	1	SPRING STEEL, T=0.3mm	Ni-Plating
NO.	PART NAME	Q'TY	MATERIAL	PLATING & COLOR