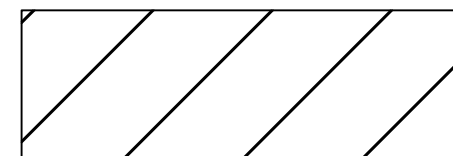
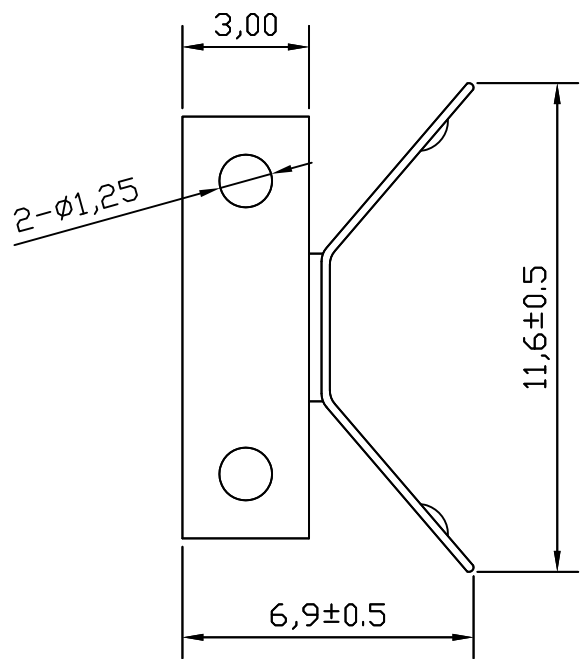
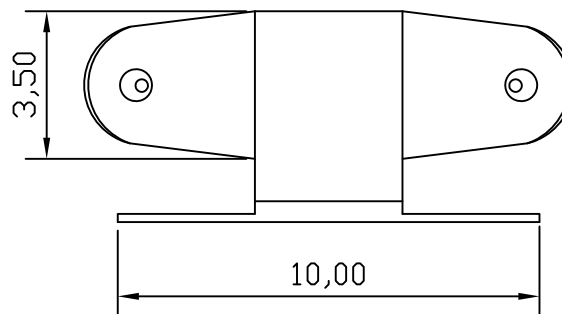
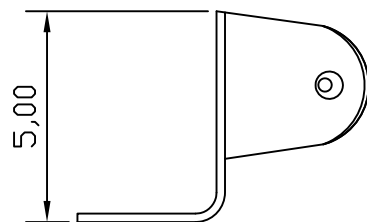




REV.	ECN NO.	REVISED	DATE



PCB Layout Diagram  
Top View



UNLESS OTHERWISE SPECIFIED TOLERANCES		<b>MYOUNG 美阳</b> <a href="http://www.meiyangdz.com">www.meiyangdz.com</a>	
DECIMALS: X :±0.30 X.X :±0.25 X.XX :±0.20 X.XXX :±0.10	ANGLES: X :±1° X.X :±0.5°	DSND YangFeng	DATE 2021-10-13
WEIGHT:		CHKD ZhouRuicai	DATE 2021-10-13
SHEET 1 OF 1		APVD XueShunyong	DATE 2021-10-13
TITLE: 电池接触片正极CR2450 SMT		SCALE:	VIEW:
PART NO.: MY-ZJ-126		SIZE: A4	REV.: A/0
DRAW NO.:MY-CP-0171		UNIT: mm	OBJECT: MY

1	TERMINAL(+)	1	STAINLESS STEEL T=0.20mm	Au-Plating
NO.	PART NAME	Q'TY	MATERIAL	PLATING & COLOR