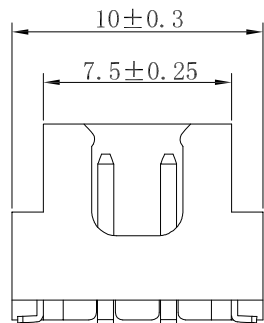
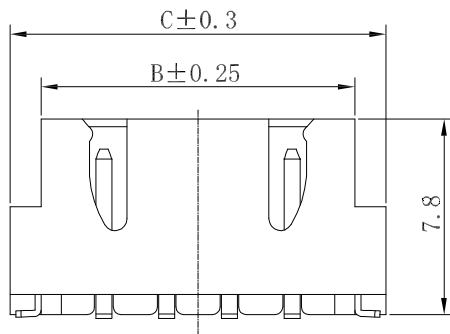


ROHS



2P



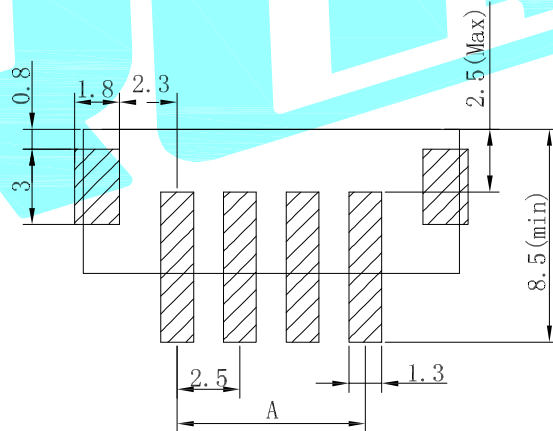
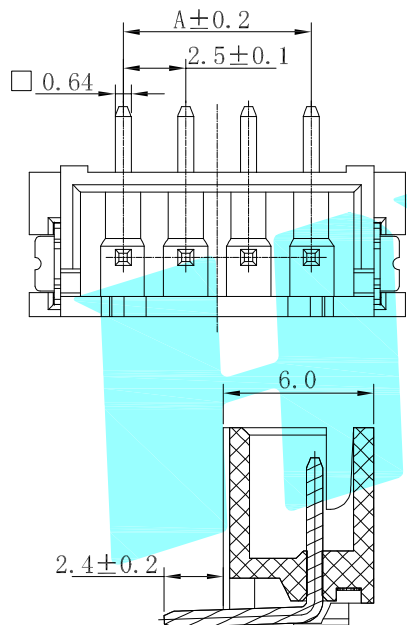
poles	A	B	C
2P	2.5	7.5	10.0
3P	5.0	10.0	12.5
4P	7.5	12.5	15.0
5P	10.0	15.0	17.5
6P	12.5	17.5	20.0
7P	15.0	20.0	22.5
8P	17.5	22.5	25.0
9P	20.0	25.0	27.5
10P	22.5	27.5	30.0
11P	25.0	30.0	32.5
12P	27.5	32.5	35.0
13P	30.0	35.0	37.5
14P	32.5	37.5	40.0
15P	35.0	40.0	42.5
16P	37.5	42.5	45.0

技术参数 (SPECIFICATIONS)

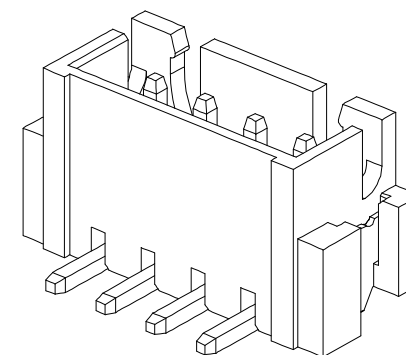
额定电压: 250V AC DC
 Voltage rating: 250V AC DC
 额定电流: 3.0A AC DC #22
 Current rating: 3.0A AC DC #22
 耐压值: 1000V AC/minute
 Withstand voltage: 1000V AC/minute
 绝缘电阻: 1000MΩ MIN
 Insulation resistance: 1000MΩ MIN
 接触电阻: 0.02Ω MAX
 Contact resistance: 0.02Ω MAX
 工作温度: -25℃~+85℃
 Working Temperature: -25℃~+85℃
 间距: 2.5mm
 Pitch: 2.5mm

材料 (MATERIAL)

绝缘体: 尼龙9T UL94V-0
 Insulator: PA9T UL94V-0
 接触针: 黄铜
 Contact Pin: Brass
 焊片: 黄铜
 Solder tab: Brass



PCB板安装尺寸



APPROVALS		DATE	HRO 睿 ELECTRONICS CO.,LTD		
DRAWN	LIUCAN	2022.9.13	TITLE:	Bar Connector Series	
CHECKED			PART NO.	2.50T-nP-WV	
APPROVALS			TOLERANCES ARE	ANGLE	UNIT: mm
			30~以上 ±0.30	±2'	SCALE: 1:1
			10~30 ±0.20		PROJ:
			5~10 ±0.15		DRAWING NO.
			~ 5 ±0.10		SHEET 1 OF 1

ECN NO.	REV.	DATE.	DESCRIPTION.	CHANGE.	CHECK.	APPRO.
	A		NEW			