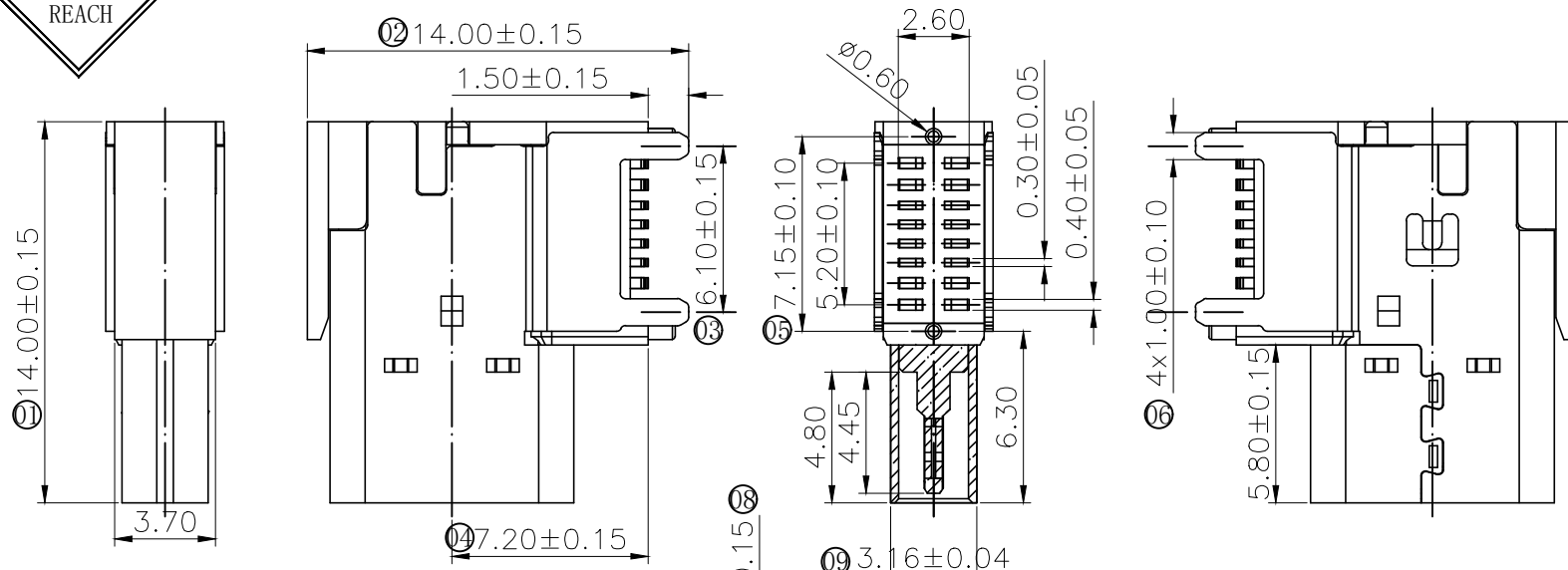




REV	DESCRIPTION	DATE	APPROVED



特性:

一、电气性能: ELECTRICAL

1. 额定电流: 5.0A
2. 接触阻抗: 40 MILLIOHMS MAX
3. 耐电压: 100V AC / 1 mA MAX
4. 绝缘阻抗: 150V DC/100 MEGA OHMS MIN

二、机械性能:

1. 插入力: 5~20N ; 拨出力: 8~20N
2. 使用寿命: 10000次

三、材料: MATERIAL

四、电镀: FINISH

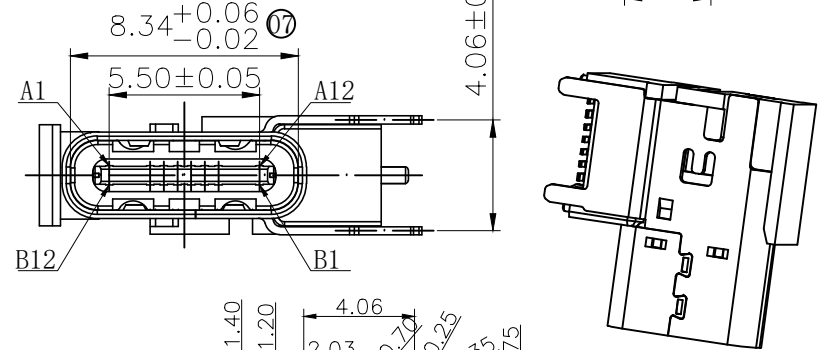
1. 端子: 接触点镀金 1μ MIN
PIN脚焊接区域镀金G/F
2. 外壳: 镀镍 80μ MIN

五、电镀品需做粘锡测试: 粘锡面积达到95%以上。

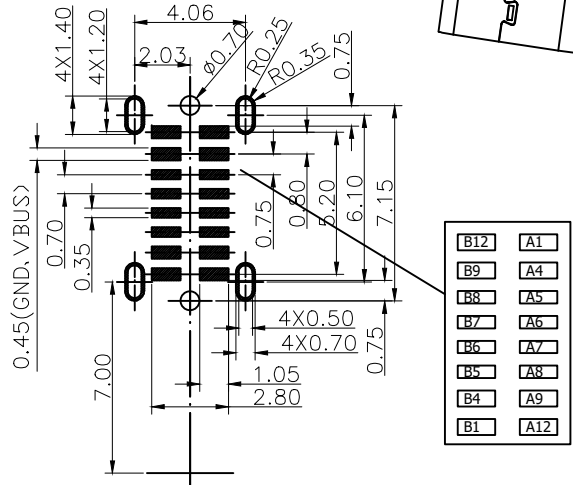
六、SMT回流焊 (峰值 260° C $\pm 5^{\circ}$ C) 不能起泡、熔胶、变色不良 (变形在公差范围以内)

七、工作温度: -55° C~ $+85^{\circ}$ C

八、盐雾测试: 通过48H在浓度为 $5 \pm 1\%$ 盐水的盐雾测试无生锈现象



A1	GND	B12	GND
A2		B11	
A3		B10	
A4	VBUS	B9	VBUS
A5	CC1	B8	SBU2
A6	D+	B7	D-
A7	D-	B6	D+
A8	SBU1	B5	CC2
A9	VBUS	B4	VBUS
A10		B3	
A11		B2	
A12	GND	B1	GND

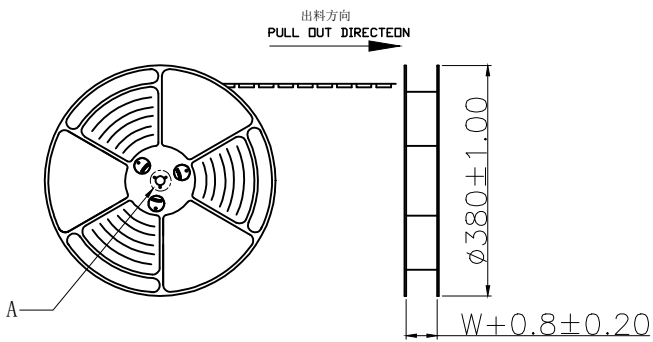


CUSTOMER DRAWING		
UNITS mm	SCALE 1:1	SHEET 1 OF 1
PROJECTION: 	DRAW:	
GENERAL TOLERANCE 0. ± 0.25 0.0 ± 0.20 0.00 ± 0.15 0. $\pm 4^{\circ}$ 0.0 $\pm 3^{\circ}$	CHECK:	
	APPD:	

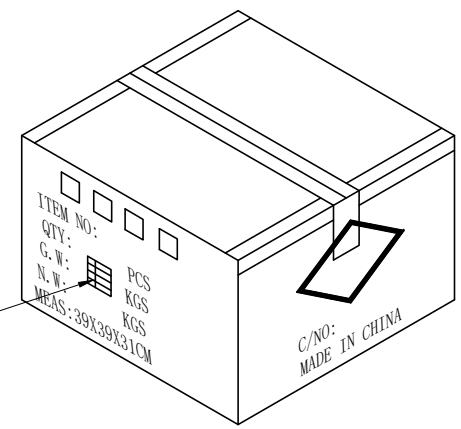
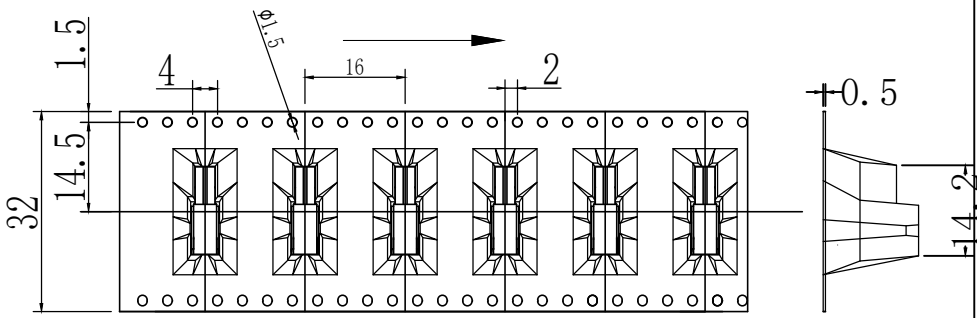
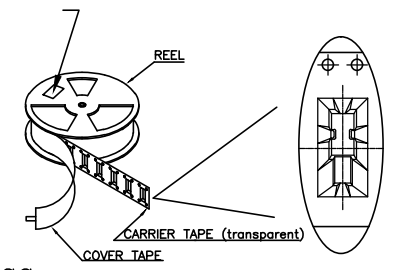
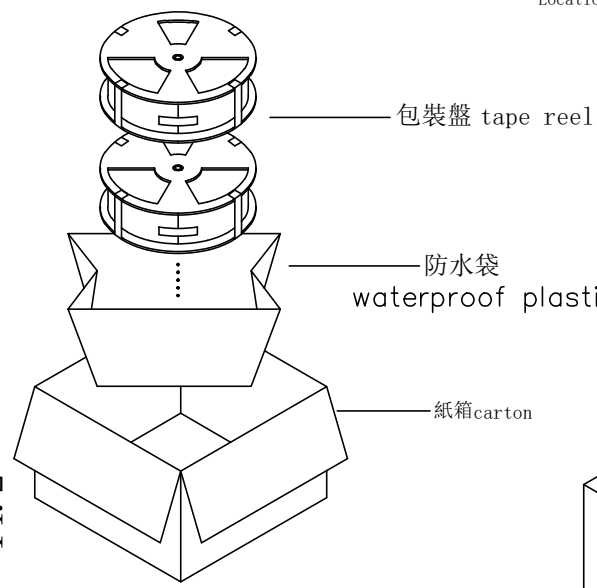
TITLE Type-C 母座 侧贴		
MAT'L	FINISH	
DWG. NO. ZX-TYPEC-CTM1658	PART NO.	SIZE A4



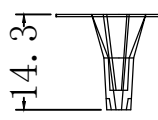
REV	DESCRIPTION	DATE	APPROVED



at small positioning hole of the carrier tape side.
 標籤黏貼處 (朝捲裝包材的小定位孔一側)
 Location of label sticking (label)



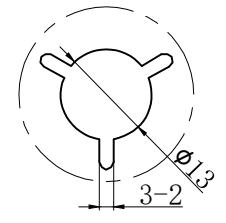
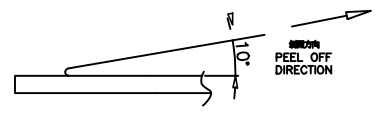
NOTES
 1. 帶子引導長度
 LEAD TAPE LENGTH
 出料方向
 PULL OUT DIRECTEON



NOTE:
 1. 每捲包裝數量及每箱裝箱數量如左下表格。
 Packing q'ty of each reel & carton as below table shown.
 2. 將裝滿產品的卷盤放入紙箱並以膠帶封口
 Put reels in the carton and use adhesive tape to seal up.

卷帶	規格: $\phi 380\text{mm}$	包裝數量: 400PCS
紙箱	規格: 390mmX390mmX310mm	包裝數量: 8盤 / 3200PCS

2. 上帶 剝力力為: 0.1~1.3N(10.2gf~130gf)
 PEELING OFF FORCE OF TOP TAPE: 0.1~1.3N(10.2gf~130gf)
 出貨運輸過程中一定注意:
 THIS REQUIREMENT SHOULD BE APPLIED AT SHIPMENT:
 卷帶在運輸過程中不能散開
 PEELING OFF SHOULD NOT BE ALLOWED DURING TRANSPORTATION



CUSTOMER DRAWING		
UNITS mm	SCALE 1:1	SHEET 1 OF 1
PROJECTION: 	DRAW:	
GENERAL TOLERANCE 0. ±0.35 0.0 ±0.30 0.00 ±0.25 0.° ±4° 0.0° ±3°	CHECK:	
	APPD:	

TITLE Type-C 母座 侧贴		
MAT'L		FINISH
DWG. NO. ZX-TYPEC-CTM1658	PART NO.	SIZE A4