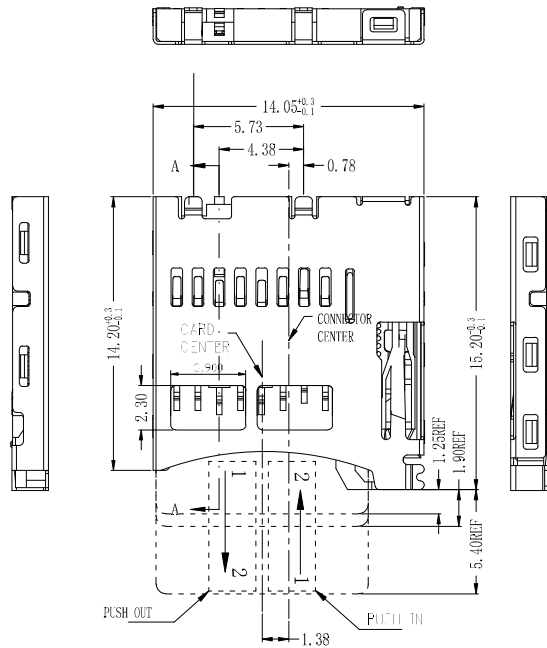
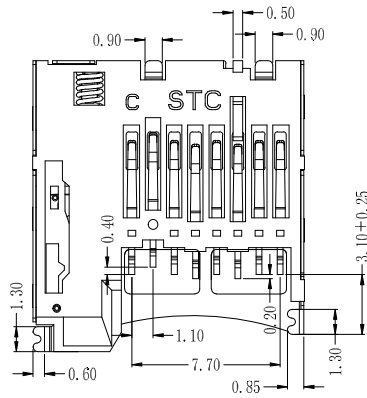


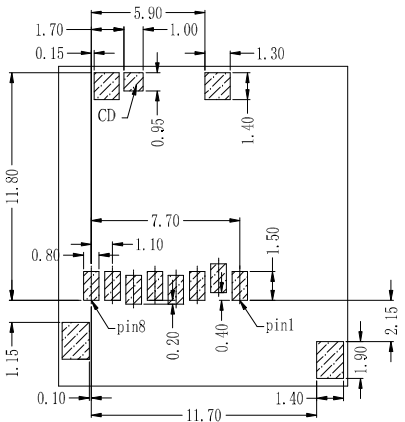
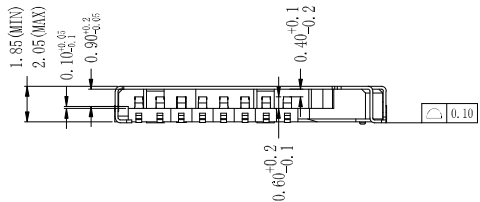
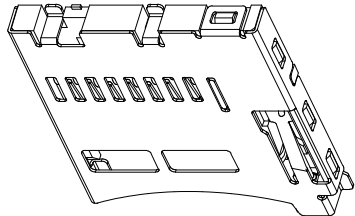
REV.	DESCRIPTION	APPD	DATE



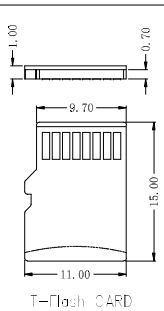
SECTION A-A



- NOTES:
- MATERIAL:
HOUSING: HIGH TEMPERATURE THERMOPLASTIC
UL94V_0, COLOR: BLACK.
CONTACT: COPPER ALLOYS.
COVER: COPPER ALLOYS OR STEEL.
 - PLATING:
UNDERPLATE: NICKEL.
CONTACT AREA: GOLD OVER NICKEL.
SOLDER AREA: TIN OVER NICKEL.
 - MULTIMEDIA CARD COMPATIBLE



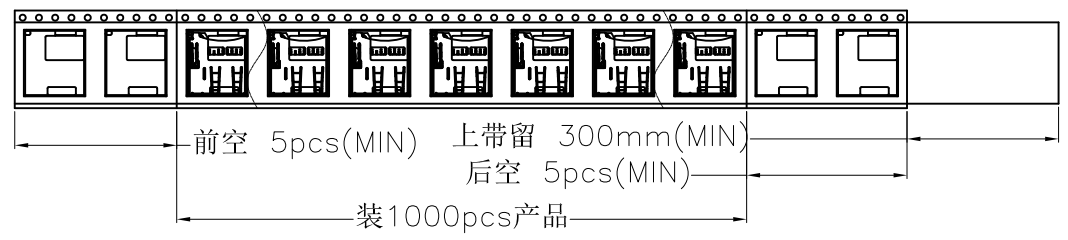
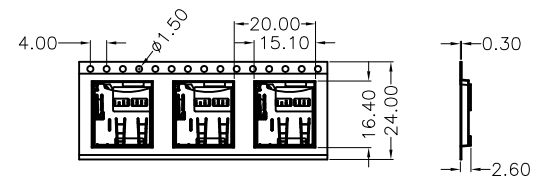
RECOMMENDED P.C.B HOLE LAYOUT
COMPONENT SIDE VIEW (TOLERANCE: \pm 0.05)



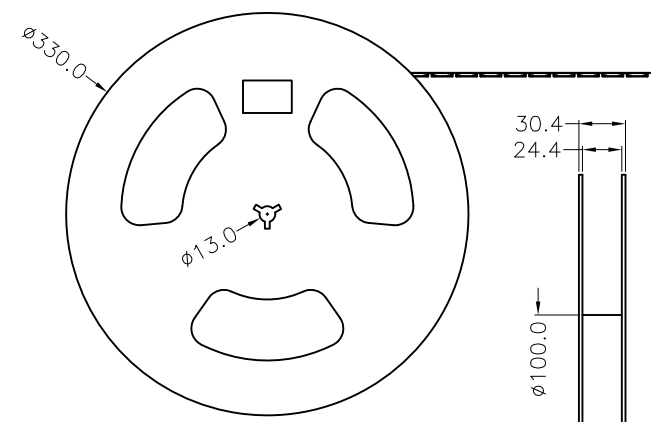
PIN NO.	NAME	TYPE	DESCRIPTION
1	DATE2	I/O/PP	DATE LINE(BIT2)
2	CD/DAT3	I/O/PP	CARD DETECT DATE LIN(BIT3)
3	CMD	PP	COMMAND RESPONSE
4	VDD	S	SUPPLY VOLTAGE
5	CLX	I	CLOCK
6	VSS	S	SUPPLY VOLTAGE GROUND
7	DATE0	I/O/PP	DATE LINE(BIT0)
8	DATE1	I/O/PP	DATE LINE(BIT1)

PART NO: ZX-TF-481.85J		MATERIAL:		 兆星精密电子 (深圳) 有限公司	
MODEL NO:		FINISH:			
UNIT: MM	SIZE: A4	COLOR:		TITLE: Mi croSD卡(TF卡) 卡座 内焊	
TOLERANCES: X.X=±0.35 X.XX=±0.25 X.XXX=±0.15		GENERAL ANGLE: X.X=±3.0° X.XX=±2.0°		DWG NO:	
DR: Lin R		CHK:		REV: B/1	
APP:		SCALE: 1:1		SHEET: 1 OF 2	

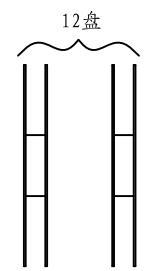
REV.	DESCRIPTION	APPD	DATE
		Lin R	23/05/21



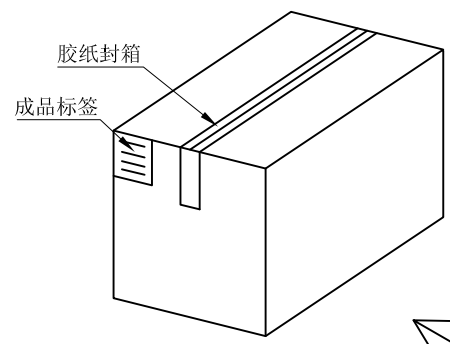
NO. 1



NO. 2

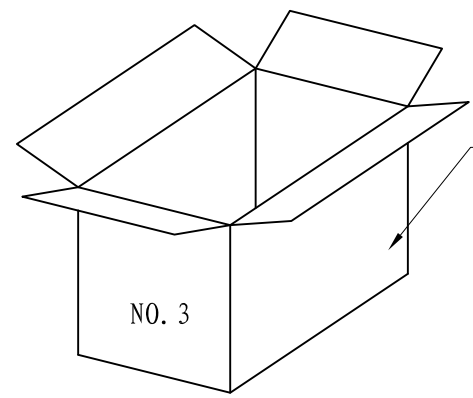


12盘



纸箱规格: 330*330*385

NO. 4



纸箱

NO. 3

1. 材质要求:
- 1.1 纸箱的材质为B=B; 外形尺寸为33*33*38.5CM;
 - 1.2 卷盘的材质为PVC, 卷盘的外形尺寸为 ϕ 330*30.4;
 - 1.3 卷带的材质为PVC, 卷带的外形尺寸为20200*24.00*2.6mm
2. 包装要求:
- 2.1 将卷带放入包装机后, 前空5PCS, 后放产品1000PCS, 再后空5PCS; 上带留300MM长度。
 - 2.2 将包装好的产品从包装机上取下并包装好;
 - 2.3 把累叠好的12盘叠放入纸箱中共计12Kset;
 - 2.4 把包装好的成品打包封箱, 并在纸箱外贴上标签

PART NO: ZX-TF-481.85J		MATERIAL:		 兆星精密电子(深圳)有限公司	
MODEL NO:		FINSH:			
UNIT: MM	SIZE: A4	COLOR:		TITLE: MicroSD卡(TF卡) 卡座 内焊	
TOLERANCES: X.X=±0.35 X.XX=±0.25 X.XXX=±0.15		GENERAL ANGLE: X.X=±3.0° X.XX=±2.0°		DR: Lin R	DWG NO:
				CHK:	REV: B/1
				APP:	SCALE: 1:1
					SHEET: 2 OF 2