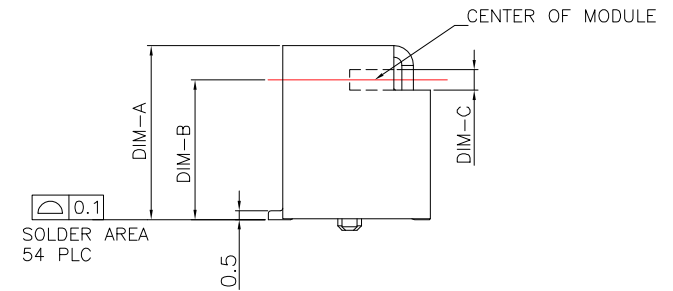
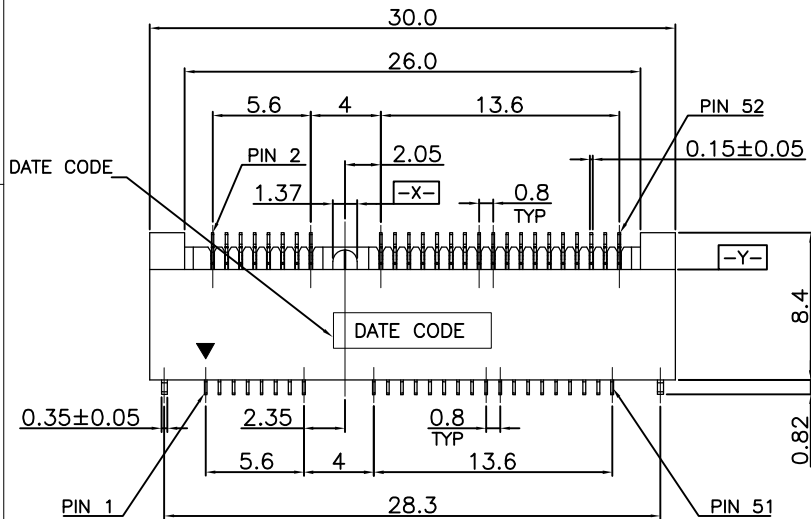




REV.	ECN NO OR DESCRIPTION	REVISED	DATE



**SPECIFICATION:**

**1. ELECTRICAL**

- 1.1 Current Rating: 0.5A per pin
- 1.2 Voltage Rating: 50V DC
- 1.3 Contact Resistance: 5 5mΩ Max
- 1.4 Insulation Resistance: 500MΩ Min
- 1.5 Dielectric Withstanding Voltage: 300VAC

**2. MECHANICAL**

- 2.1 Durability: 100 Cycle
- 2.2 Insertion Force: 2.3Kgf max.
- 2.3 Extraction Force: 2.3Kgf max.

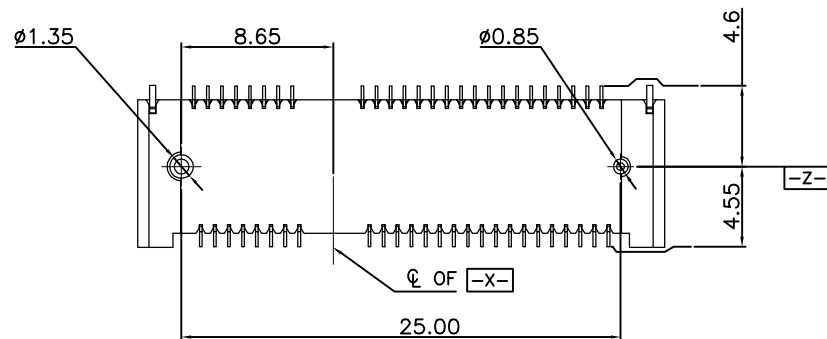
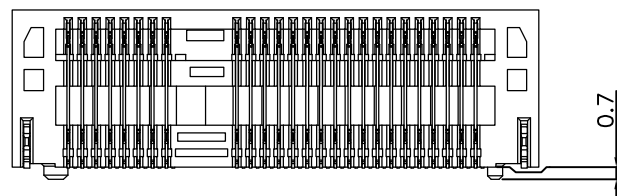
**3. ENVIRONMENTAL**

- 3.1 Operating temperature range: -40 °C~+85°C
- 3.2 Storage temperature range: -40 °C~+85°C

**4. SOLDER ABILITY**

- 4.1 Recommended IR Reflow Temperature: 260 °C 10Sec

LTEM NO	DIM-A	DIM-B	DIM-C
	4.0mm	2.05mm	1.12mm
	5.2mm	3.25mm	1.12mm
	5.6mm	3.65mm	1.12mm
	7.0mm	5.05mm	1.12mm
	8.0mm	6.05mm	1.16mm
	9.0mm	7.05mm	1.16mm
	9.9mm	7.95mm	1.16mm



UNLESS OTHERWISE SPECIFIED TOLERANCES

DECIMALS:	ANGLES:
X :±0.35	X :±2°
X.X :±0.25	X.X :±1°
X.XX :±0.15	



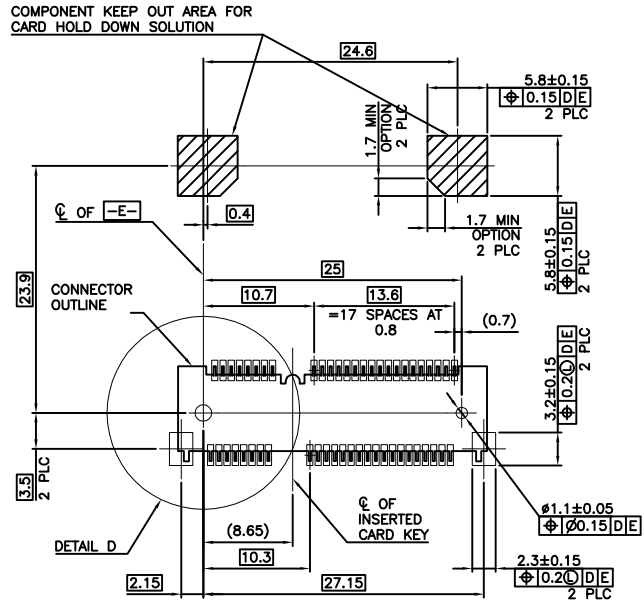
兆星精密电子 (深圳) 有限公司

TITLE	mPCI -E 0.8mm P数: 52		
DWN	PART NO.	ZX-JSZ-W0.8525.6	
CHKD	SCALE:1:1	UNIT: mm	
APVD	SIZE: A4	SHEET:1OF 1	REV: A4

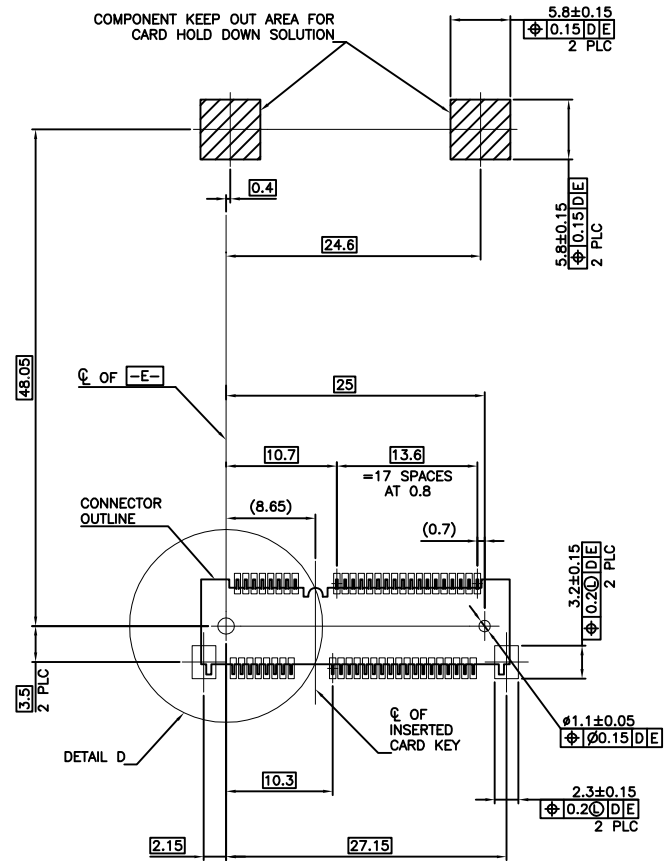
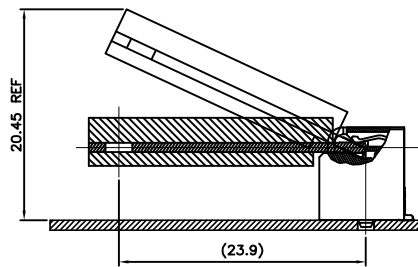
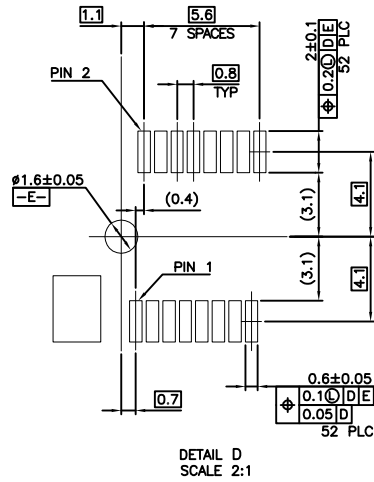
CUSTOMER COPY



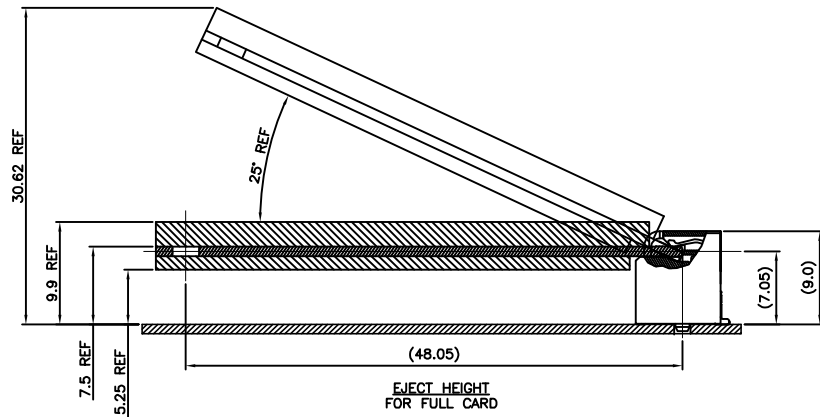
REV.	ECN NO OR DESCRIPTION	REVISED	DATE



-D- IS THE TOP SURFACE OF PCB.  
RECOMMENDED P.C. BOARD PATTERN LAYOUT  
FOR HALF CARD CONNECTOR  
(TOP VIEW)



-D- IS THE TOP SURFACE OF PCB.  
RECOMMENDED P.C. BOARD PATTERN LAYOUT  
FOR FULL CARD CONNECTOR  
(TOP VIEW)



UNLESS OTHERWISE SPECIFIED TOLERANCES

DECIMALS:	ANGLES:
X :±0.35	X :±2°
X.X :±0.25	X.X :±1°
X.XX :±0.15	

兆星精密电子(深圳)有限公司

TITLE	mPCI -E 0.8mm P数: 52		
DWN	PART NO. ZX-JSZ-W0.8525.6		
CHKD	SCALE: 1:1	UNIT: mm	
APVD	SIZE: A4	SHEET: 1 OF 1	REV: A4

CUSTOMER COPY