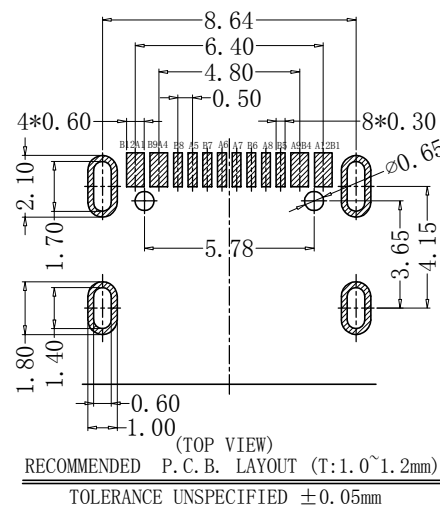
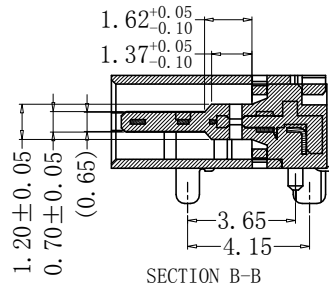
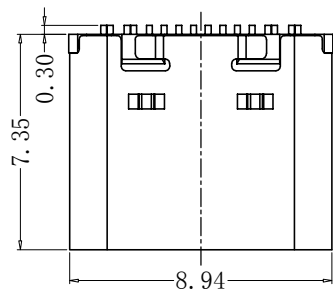
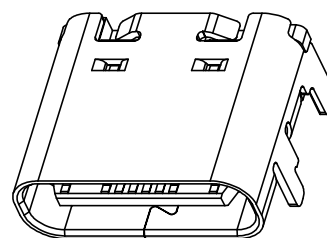
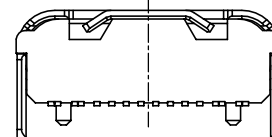
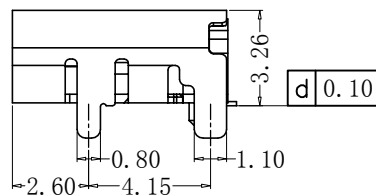
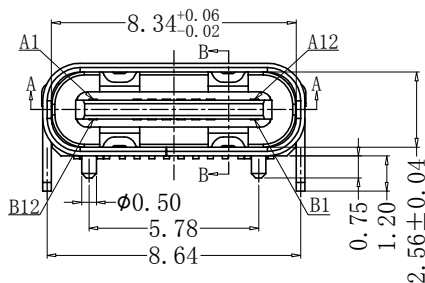


RoHs

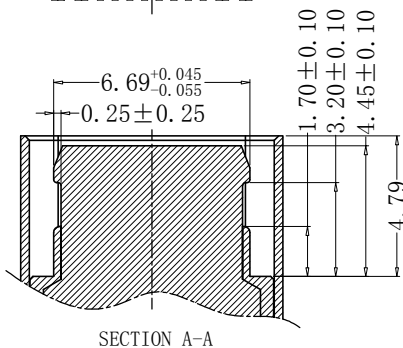
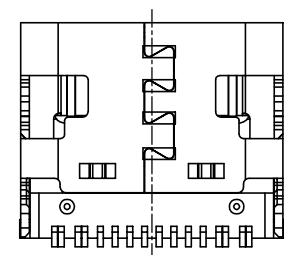
VER	MARK	PR. BY	ECR/ECN DESCRIPTION	DATE
A		XCC	NEW RELEASE	23/05/21
B		Lin L	新增料号 \triangle *1	23/05/21
C		Lin R	新增规格 \triangle *2	23/05/21



PIN DEFINE TABLE			
PIN	SIGNAL	PIN	SIGNAL
A12	GND	B1	GND
A11		B2	
A10		B3	
A9	VBUS	B4	VBUS
A8	SBU1	B5	CC2
A7	D-	B6	D+
A6	D+	B7	D-
A5	CC1	B8	SBU2
A4	VBUS	B9	VBUS
A3		B10	
A2		B11	
A1	GND	B12	GND




3D View

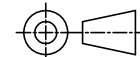


NO.	COLOR	镀金1u"	镀金3u"
1.	BLACK	1016-FGB385	1016-FGB386
2.	ORANGE	1016-FGC031	
3.	JASPER	1016-FGG033	
4.	BLACK	1016-FGB452	

SPECIFICATION:

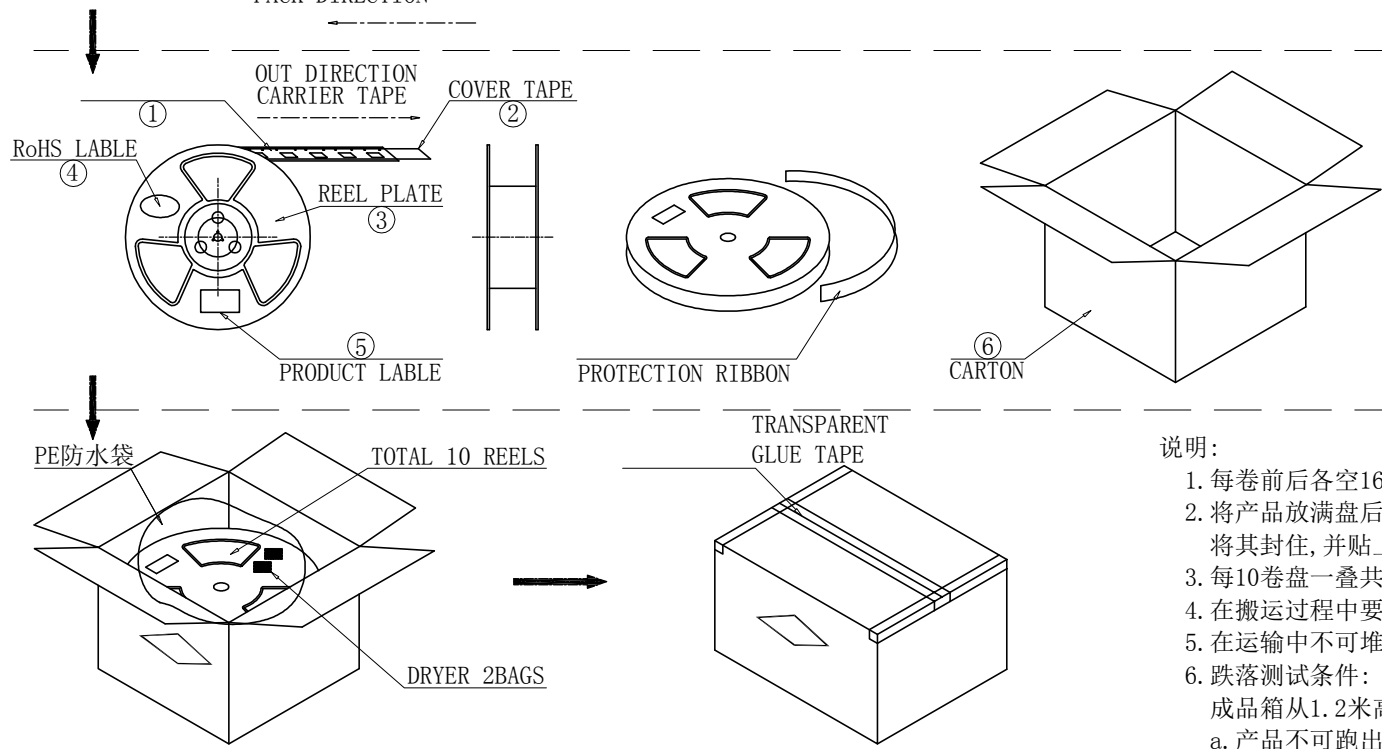
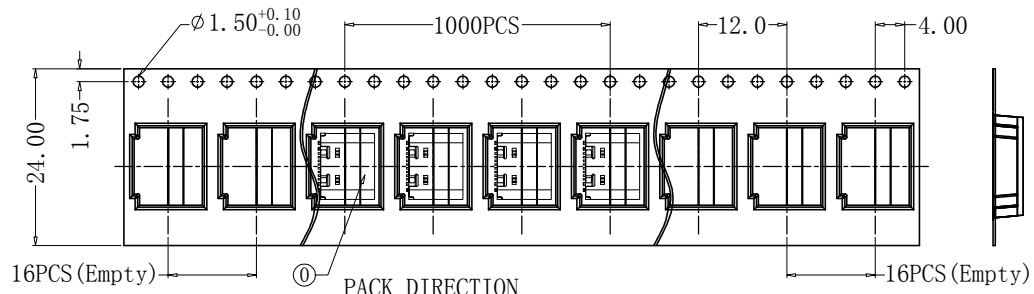
- Material:
 - HOUSING&MOLDING:LCP,UL94 V-0
 - CONTACTS:COPPER ALLOY T=0.20mm
 - MIDDLE CLIP:SUS301-1/2H,T=0.15mm
 - SHELL:SUS, T=0.30mm
- Mechanical:
 - 2.1.Mating force:5~20Nf Max.;
 - 2.2.Unmating force:6~20Nf Min.;
 - 2.3.Durability:10000 Cycles;
- Electrical:
 - 3.1.Current Rating:3A Max.;
 - 3.2.Voltage Rating:20V Max.;
 - 3.3.Dielectric Withstanding voltage:100VAc;
 - 3.4.Contact resistance:40m Ohms Max.;
 - 3.5.Insulation Resistance:100M Ohms Min.;
- Environmental:
 - 4.1.Operating temperature:-40°C~+85°C;
 - 4.2.Wetting Temperature:265±5°C,5±0.5s

CUSTOMER		GENERAL TOLERANCES UNLESS SPECIFIED		APPROVED BY:	TITLE:	 兆星精密电子(深圳)有限公司
SIZE	UNITS	X±0.50	X'±5.0'	CHECKED BY:	TITLE:	
A4	MM[INCH]	.X±0.35	.X'±3.0'	Lin R	Type-C 母座 卧贴	
SCALE	REV.	.XX±0.25	.XX'±2.5'	DESIGN BY:	PART NO.:	
1:1	C	.XXX±0.15	.XXX'±2.0'	XCC	ZX-TYPEC-WTM1648	
					DWG NO.:	SHEET
						1/2



RoHs

VER	MARK	PR. BY	ECR/ECN DESCRIPTION	DATE
A		XCC	NEW RELEASE	23/05/21
B	△B	GONG	整理&合并图面	23/05/21
C	△C	Lin L	新增料号 △C *2	23/05/21
E	△E	Lin R	新增规格 △E *1	23/05/21



说明:

1. 每卷前后各空16PCS, 尾部用美纹胶纸封住;
2. 将产品放满盘后, 再卷一圈保护带, 用美纹胶纸将其封住, 并贴上1Pcs物料标签;
3. 每10卷盘一叠共10000Pcs并装入1个外箱内;
4. 在搬运过程中要轻拿轻放;
5. 在运输中不可堆放过多(1.8M最高), 不可重压;
6. 跌落测试条件:
成品箱从1.2米高度自由落体(一角三棱六面):
a. 产品不可跑出下带凹槽;
b. 产品不可有摔伤, 变形;
c. 内包装材料不可严重破损.

NO.	NAME	SPEC	Q' TY
①	TYPE C RECEPTACLE		10000PCS/CARTON
②	CARRIER TAPE	W=24mm, T=0.35mm	1000PCS/PLATE
③	COVER TAPE	W=21.5mm	10PLATES/CARTON
④	REEL PLATE	∅330*100*24.4mm	10PCS/CARTON
⑤	RoHS LABEL		10PCS/CARTON
⑥	PRODUCT LABER		10PCS/CARTON
⑦	CARTON	350*340*310mm	1PCS/PACKAGE

PACKAGING		GENERAL TOLERANCES UNLESS SPECIFIED		APPROVED BY:	TITLE:
SIZE	UNITS	X±1.0	X*±5.0*	CHECKED BY:	Type-C 母座 卧贴
A4	MM[INCH]	.X±0.50	.X*±3.5*		PART NO.:
SCALE	REV.	.XX±0.30	.XX*±2.5*	DESIGN BY:	DWG NO.:
1:1	E	.XXX±0.15	.XXX*±1.5*	XCC	

兆星精密电子 (深圳) 有限公司

SHEET 2/2