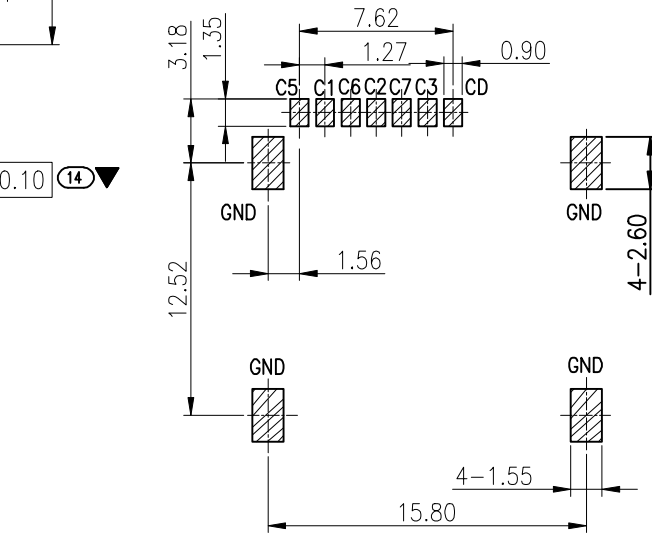
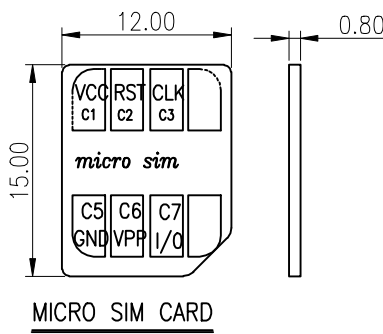
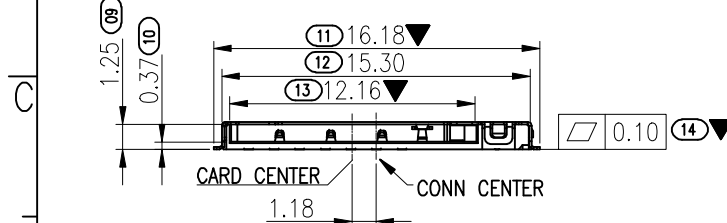
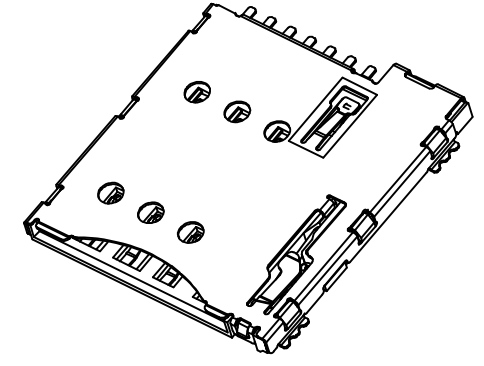
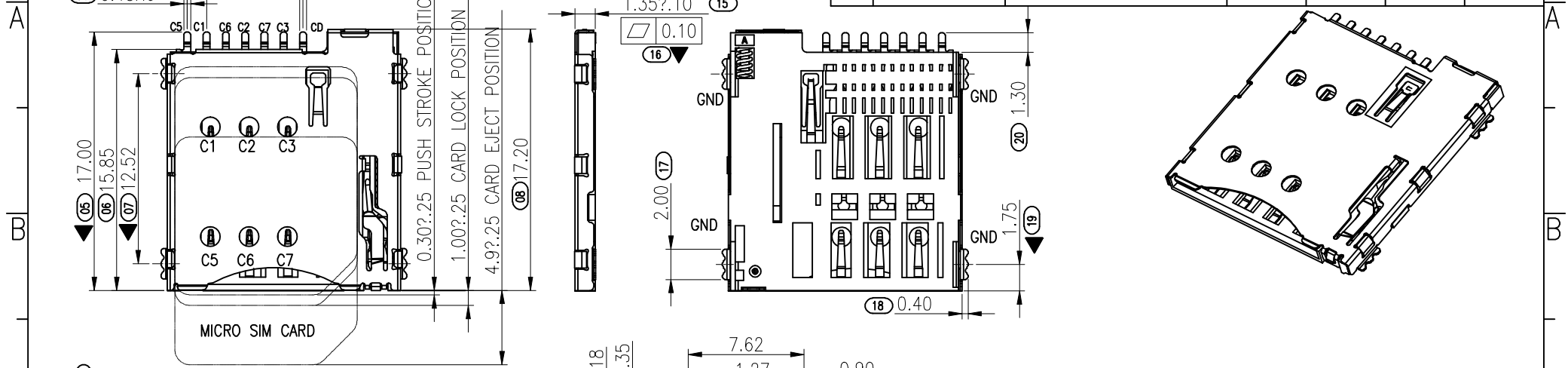


RoHS

REV.	EC#	DESCRIPTION	DATE	DRAWING	CHECKED	APPROVED



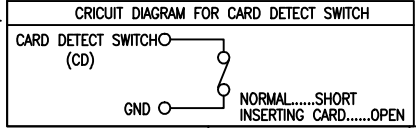
NOTES:
MATERIAL:
 Insulator: High Temperature Thermoplastic, UL 94V-0.
 Contact: Copper Alloy
 Shell: STAINLESS
PLATING:
 Contact: Plated 30u" Ni Overall ,Solder Area: Tin,Contact G/F
 Shell: Plated 30u" Ni Overall
 Plated G/F Selective Contact Area
Electrical:
 Current Rating :0.5mA max.
 Voltage Rating :50V DC MAX
 Ambient Temperature Range :-20°C~+85°C
 Storage Temperature Range :-40°C~+70°C
 Ambient Humidity Range :95% R.H. Max.
 Contact Resistance:100mΩ max.
 Insulation Resistance:1000MΩ min./250V DC
 Dielectric Withstanding Voltage:500V AC
 Mating Cycles:5,000 Insertions
 Temperature: 260°C ±5°

SIM pin Assignment	
PIN#	Name
C1	VCC
C2	RST
C3	CLK
C5	GND
C6	VPP
C7	I/O

■ CIRCUIT TRACE KEEP OUT AREA
 ■ SMT SOLDER AREA

THERE SHOULD NOT BE ANY CIRCUITRIES IN THE LAYOUT SPACE OF THE PRODUCTS.

RECOMMENDED PCB LAYOUT
 GENERAL TOLERANCE ±0.05



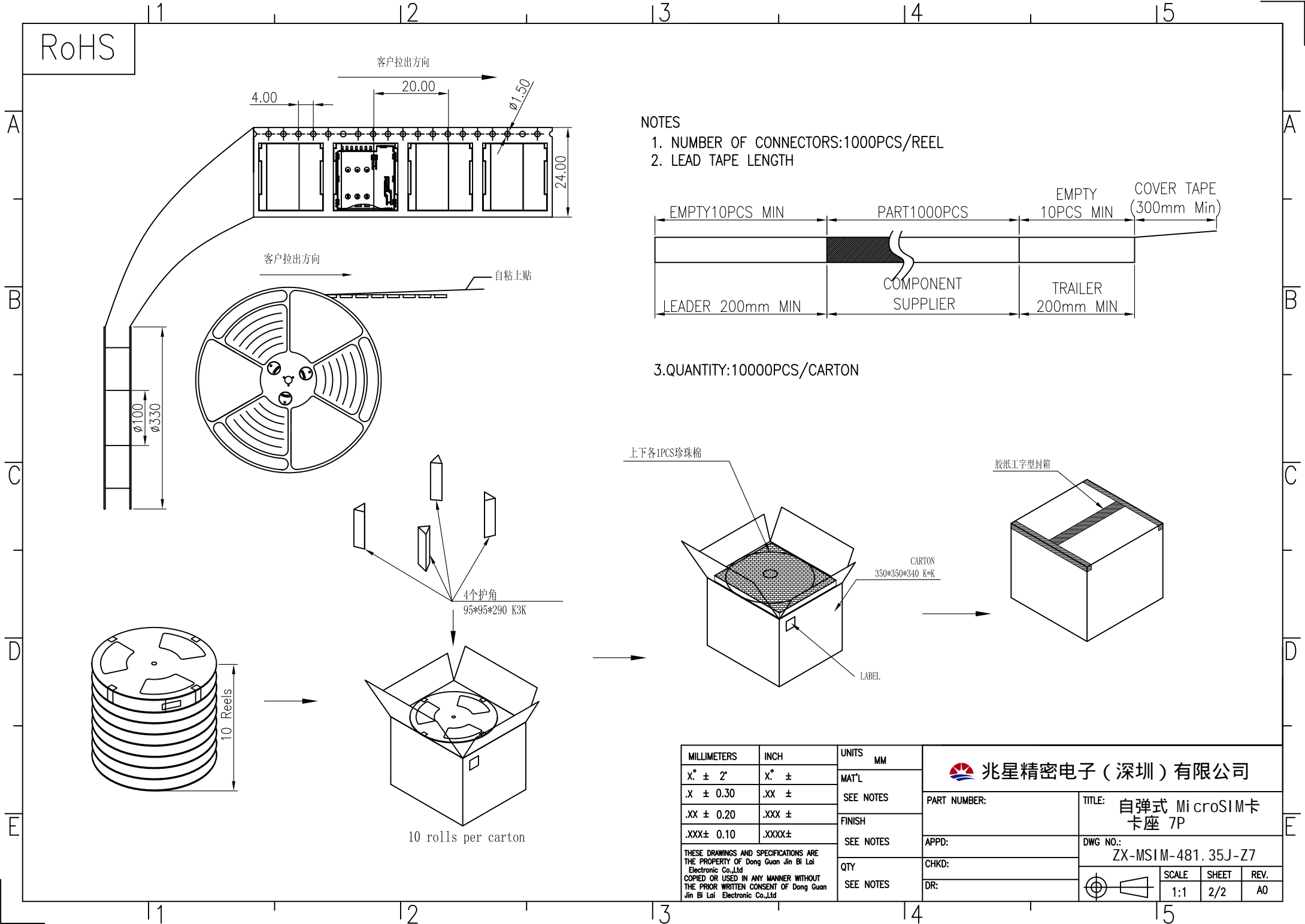
MILLIMETERS	INCH	UNITS
X. [*] ± 2'	X. [*] ±	MM
.X ± 0.30	.XX ±	MAT'L
.XX ± 0.20	.XXX ±	SEE NOTES
.XXX± 0.10	.XXXX±	FINISH
		SEE NOTES
		QTY
		SEE NOTES

兆星精密电子 (深圳) 有限公司

PART NUMBER:	TITLE: 自弹式 MicroSIM卡卡座 7P
APPD:	DWG NO.: ZX-MSIM-481.35J-Z7
CHKD:	SCALE SHEET REV.
DR:	1:1 1/2 A0

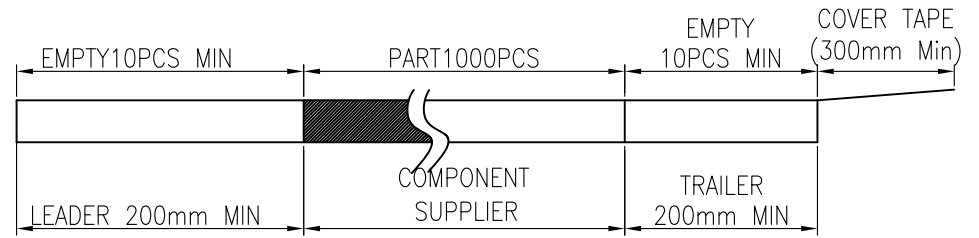
THESE DRAWINGS AND SPECIFICATIONS ARE THE PROPERTY OF Dong Guan Jin Bi Lai Electronic Co.,Ltd
 COPIED OR USED IN ANY MANNER WITHOUT THE PRIOR WRITTEN CONSENT OF Dong Guan Jin Bi Lai Electronic Co.,Ltd

RoHS

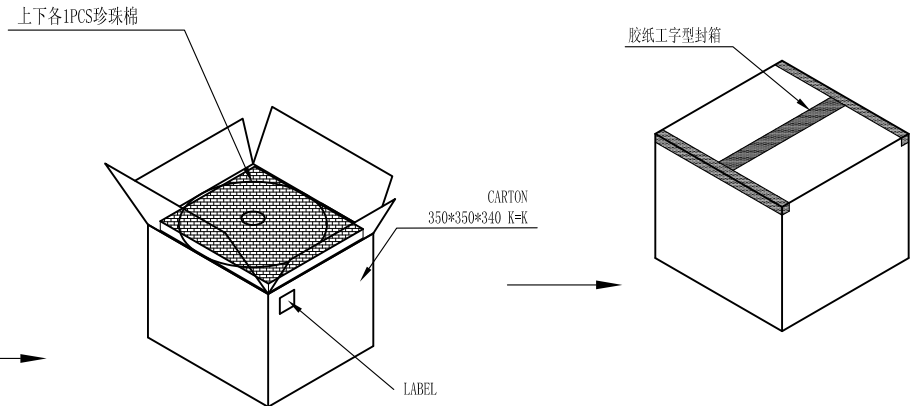


NOTES

1. NUMBER OF CONNECTORS:1000PCS/REEL
2. LEAD TAPE LENGTH



3. QUANTITY:10000PCS/CARTON



MILLIMETERS	INCH	UNITS	兆星精密电子(深圳)有限公司		
		MM			
X° ± 2°	X° ±	MAT'L	PART NUMBER:		TITLE: 自弹式 MicroSIM卡座 7P
.X ± 0.30	.XX ±	SEE NOTES			
.XX ± 0.20	.XXX ±	FINISH	APPD:		DWG NO.: ZX-MSIM-481.35J-Z7
.XXX ± 0.10	.XXXX ±	SEE NOTES			
THESE DRAWINGS AND SPECIFICATIONS ARE THE PROPERTY OF Dong Guan Jin Bi Lai Electronic Co.,Ltd COPIED OR USED IN ANY MANNER WITHOUT THE PRIOR WRITTEN CONSENT OF Dong Guan Jin Bi Lai Electronic Co.,Ltd			QTY	CHKD:	SCALE SHEET REV.
			SEE NOTES	DR:	