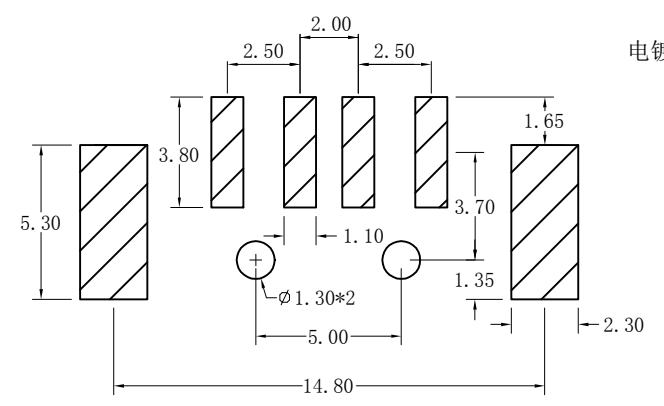
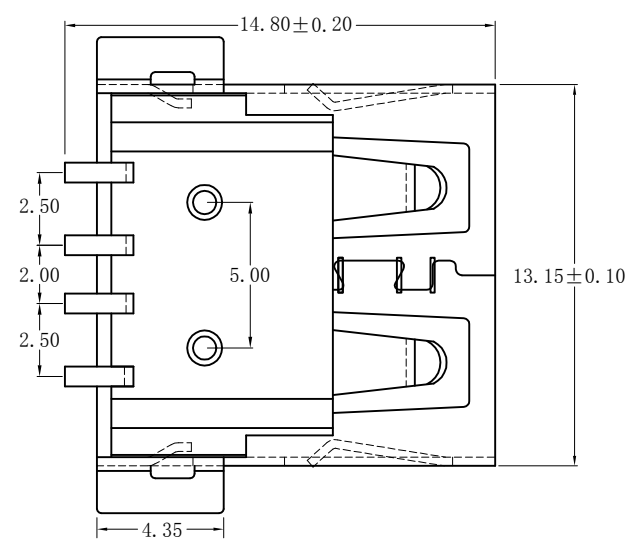
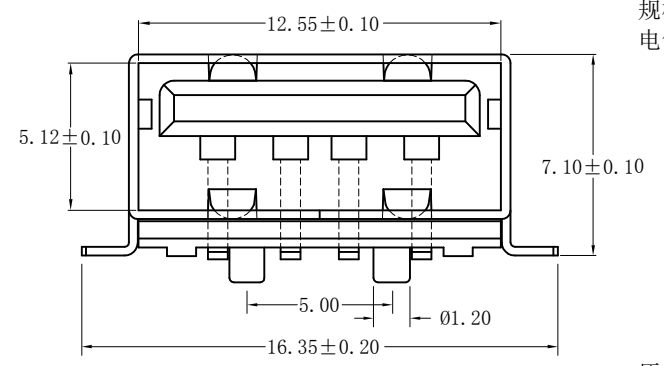
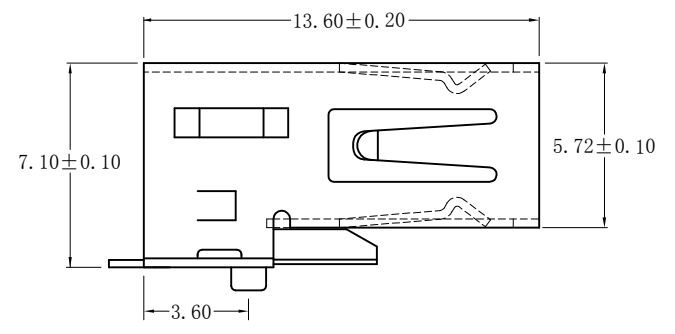


| REV. | ECN.NO. | APPD. |
|------|---------|-------|
| A0 | / | / |



规格说明:Specifications:

电气特性:Electrical:

1. 额定电流: Current Rating
1.5A/contact terminal
2. 额定电压: Voltage Rating
30V DC
3. 接触阻抗: Contact Resistance
30 milliohms MAX
4. 耐电压: Dielectric Withstanding Voltage:
500 V AC For one minuter
5. 绝缘阻抗: Insulation Resistance:
1000MEGA ohms MIN

原材料:Raw material:

1. 塑胶: Plastic cement:
High Temperature Thermoplastics,
PBT/LCP Black/White
2. 端子: Contact: Copper Alloy C2680
3. 外壳: Shell: SPCC/Copper Alloy C2680

电镀: Electroplate:

1. 端子: Contact: Plated Gold in Mating Area;
Tin On Solder Talls
2. 外壳: Shell:
Nickel Plating

| TOLERANCE UNLESS OTHERWISE SPECIFIED | |
|--------------------------------------|----------|
| .XXX ±0.10 | .X' ±3' |
| .XX ±0.20 | .XX' ±2' |
| .X ±0.30 | |



兆星精密电子 (深圳) 有限公司

| | | | | | | |
|----------|----------|-------------|-----------------|-------|-------|------|
| APPROVED | | PART NAME: | Type-A 母座 卧贴 | | | |
| CHECKED | | PART No: | ZX-TYPEA-2-WTM4 | | | C |
| DRAWN | Lin R | PROJECTION: | UNIT: | SCALE | SHEET | REV. |
| DATE | 23/05/21 | | mm | 1:1 | 10F1 | A0 |