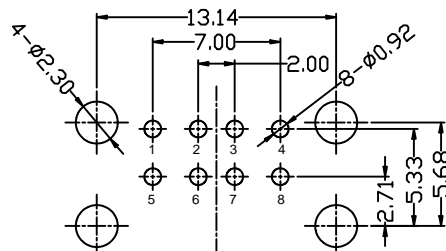
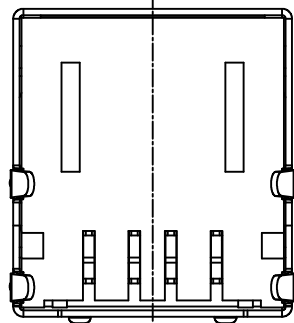
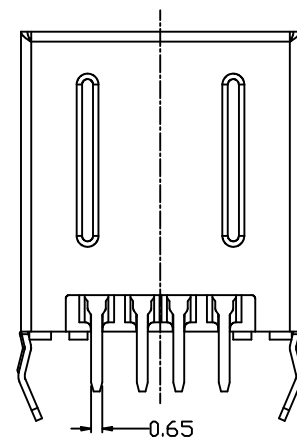
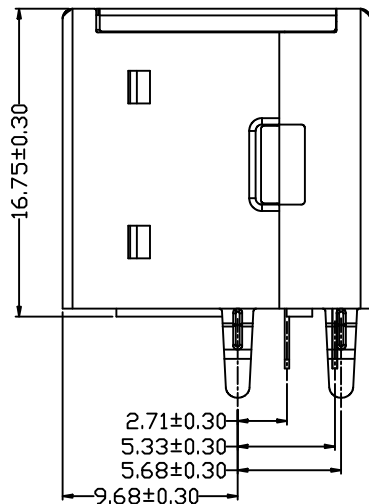
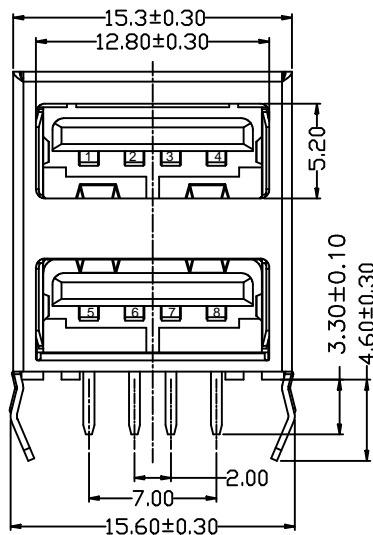
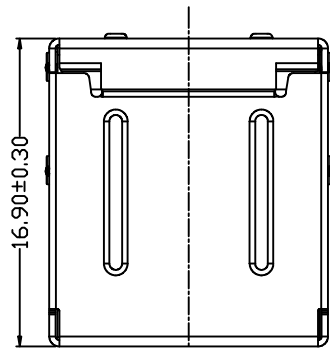


REV.	ECN.NO.	APPD.
A0	/	/



RECOMMEND P. C. B. LAYOUT

NOTES:

1. MATERIAL SPECIFICATION:

- 1) HOUSING MATERIAL:BLACK PBT ROHS.
- 2) SHELL MATERIAL:SPCC T:0.30mm
PLATING NICK.
- 3) BACK COVER MATERIAL:SPCC T:0.30mm
PLATING NICK.
- 4) SHRAPNEL MATERIAL:C2680. T:0.30mm
PLATING NICK.
- 5) TERMINAL: C5191 T:0.25mm
PLATING:SEMI GOLD TIN G/F.

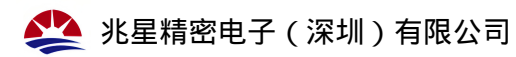
2. ELECTRICAL CHARACTERISTIC:

- 1) VOLTAGE CURRENT RATING: 1AMP, 30V DC;
- 2) INSULATION RESISTANCE: 1000MΩ MIN;
- 3) CONTACT RESISTANCE: 30mΩ MAX;
- 4) WITHSTANDING VOLTAGE: 500V AC;

3. MECHANICAL:

- 1) MATING FORCE:3.57 KG MAX
- 2) UNMATING FORCE:1.02 KG MIN.

TOLERANCE UNLESS OTHERWISE SPECIFIED	
.XXX ±0.10	.X' ±3'
.XX ±0.20	.XX' ±2'
.X ±0.30	



APPROVED		PART NAME:	Type-A 母座 弯插			
CHECKED		PART No:	ZX-TYPEA-2-WCM44	C		
DRAWN	weihong	PROJECTION:	UNIT:	SCALE	SHEET	REV.
DATE	2021.09.10		mm	1:1	10F1	A0