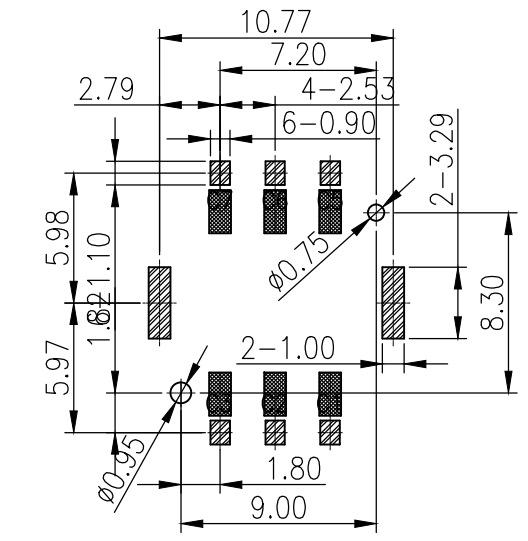
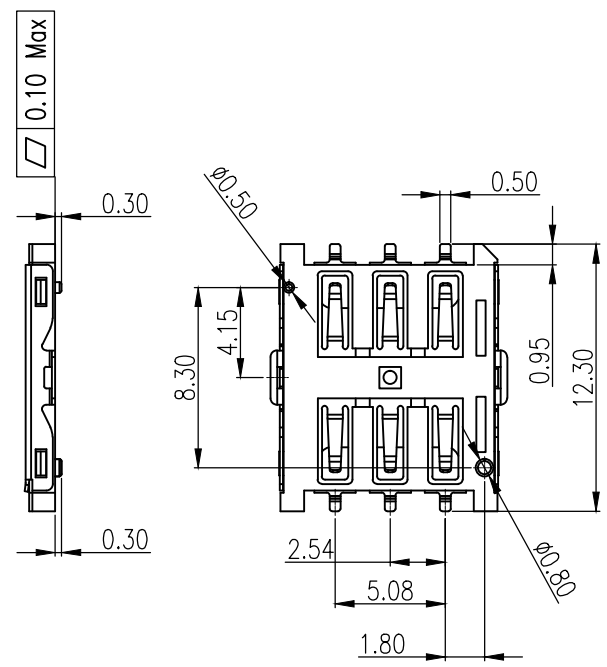
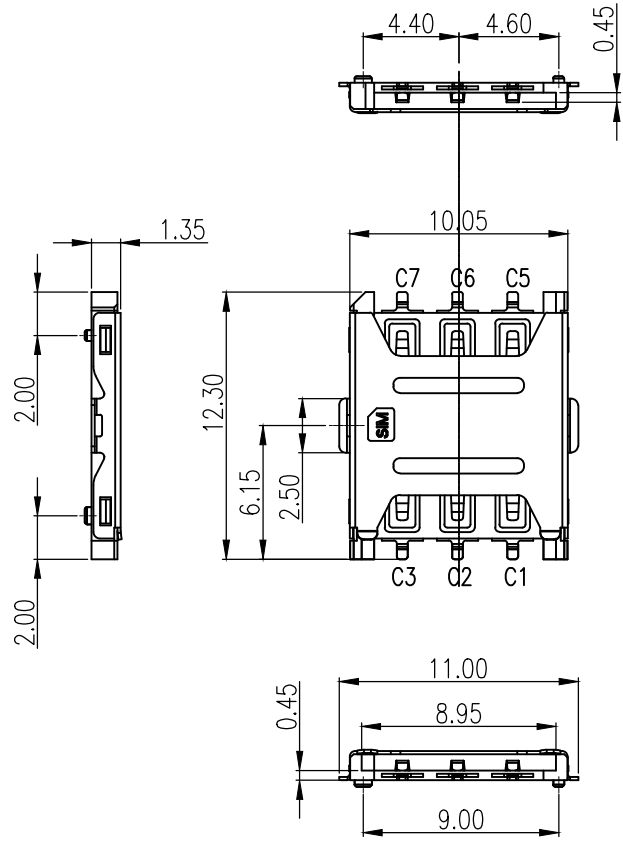


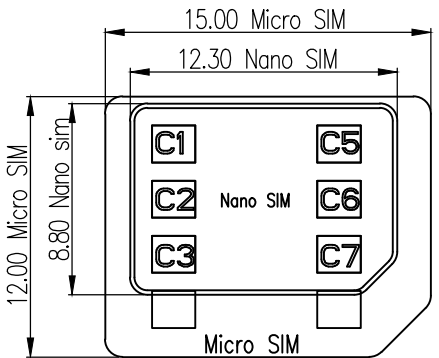
RoHS

REV.	EC#	DESCRIPTION	DATE	DRAWING	CHECKED	APPROVED



RECOMMENDED PCB LAYOUT

PATTERN PROHIBITION AREA



SIM pin assignment	
PIN#	Name
C1	VCC供电电压
C2	RST重置
C3	CLK时钟
C5	GND接地
C6	VPP程序电压
C7	I/O输入输出

- NOTES:
- MATERIAL:
 - Insulator: High Temperature Thermoplastic, UL94V-0; Color Black.
 - Terminal: Copper Alloy.
 - Shell: Stainless Steel.
 - PLATING:
 - Contact: Plated 50u" Ni Overall Contact Au 1u",
 - Shell: Plated 50u" Ni Overall, PAD Au 1u"
 - SPECIALITY:
 - Current Rating :0.5mA AC/DC max.
 - Voltage Rating :125V AC/DC
 - Ambient Temperature Range :-20° C+60° C
 - Storage Temperature Range :-40° C+70° C
 - Ambient Humidity Range :95% R.H. Max.
 - Contact Resistance:100mΩ max.
 - Insulation Resistance:1000MΩ min./500VDC
 - Mating Cycles:10,000 Insertions
 - Reflow peak temp.: 260° C ±5° C, 3~5 S
 - Mating Cycles:3,000 Insertions Min
 - PLEASE CONTACT I/Q SALES REPRESENTATIVE TO VERIFY PRODUCT DETAILS & AVAILABILITY

Unless otherwise specified tolerances are								
X.X	±0.30	DRAW NO.	DATE	DRAW NAME:				
X.XX	±0.20			拔插式 NanoSIM卡卡座				
X.XXX	±0.10	DWN		P/N :				
X'	±3.0'	CHK						
X.X'	±1.5'	APVD						
		FINISH		UNIT	SCALE	WEIGHT	REV	SHEET
Third Angle Project		DWG NO.	ZX-NSIM-48.135J-C	mm	1:1		A0	1 OF 2