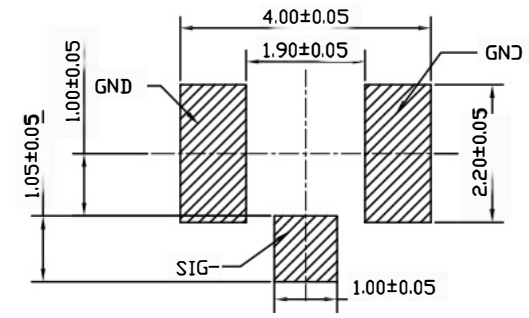
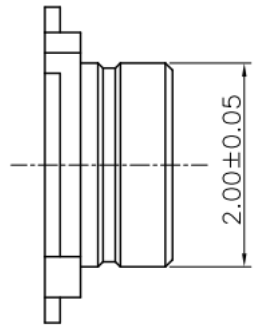
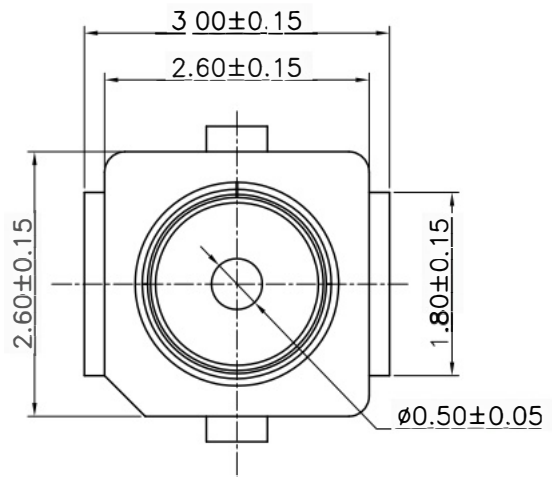
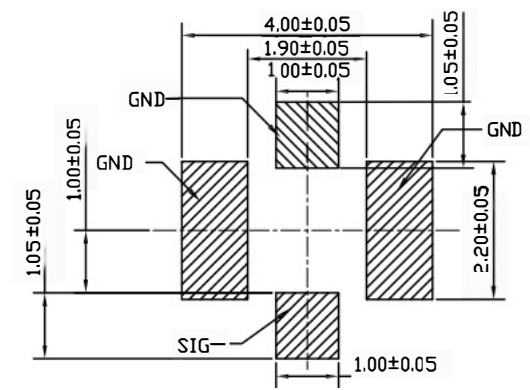
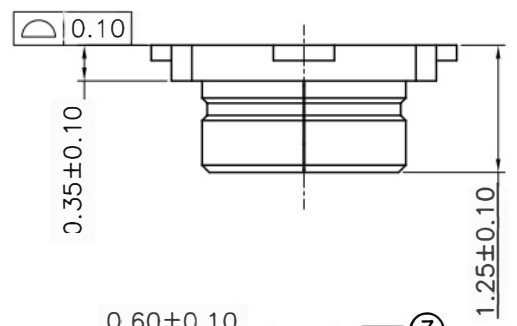


REV.	ECN NO OR DESCRIPTION	REVISED	DATE

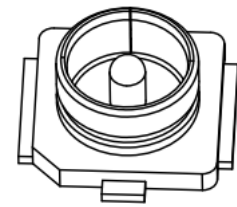
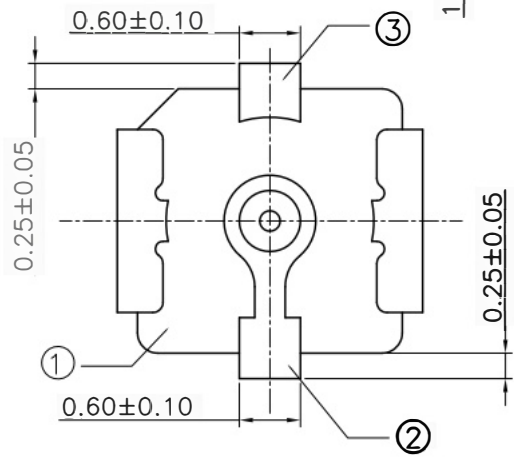


RECOMMENDED PCB LAYOUT 1
(GENERAL TOLERANCE IS ±0.05)



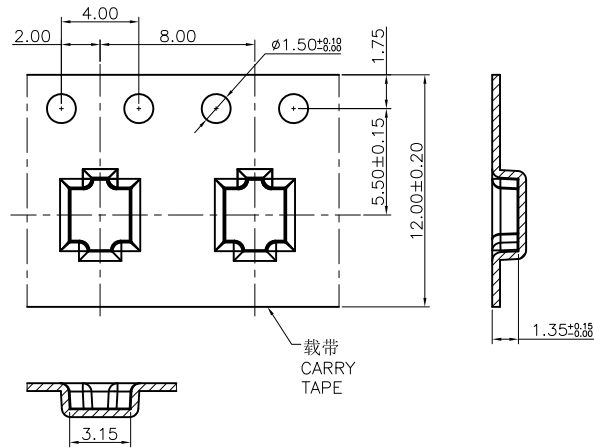
RECOMMENDED PCB LAYOUT 2
(GENERAL TOLERANCE IS ±0.05)

NOTE:
 1. MATERIAL:
 ① 1.1. HOUSING: THERMOPLASTIC, COLOR: WHITE, UL 94V-0;
 ② 1.2. CONTACT: COPPER ALLOY, T=0.15mm;
 ③ 1.3. SHELL: COPPER ALLOY, T=0.15mm.
 2. FINISH:
 2.1. CONTACT: GOLD FLASH PLATED ON MATING AREA, GOLD FLASH ON SOLDER TAILS, NICKEL UNDER PLATED OVER OF THE ALL;
 2.2. SHELL: GOLD FLASH ON THE ALL, NICKEL PLATED UNDER.

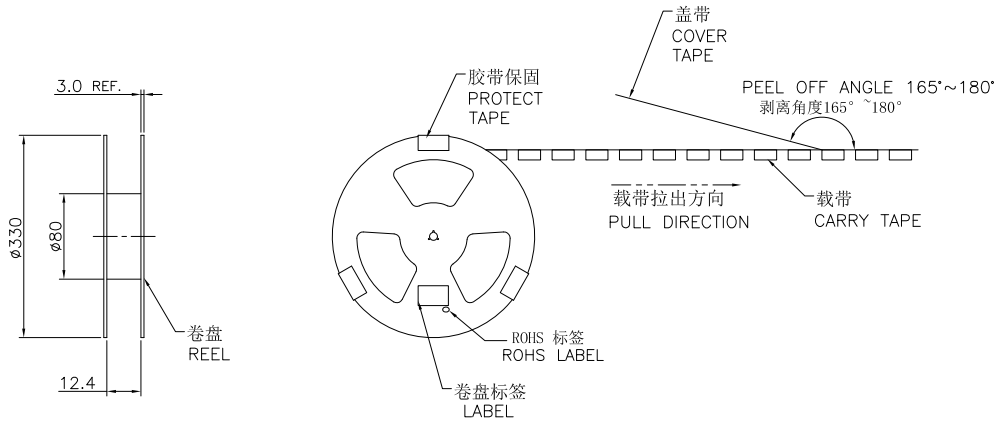
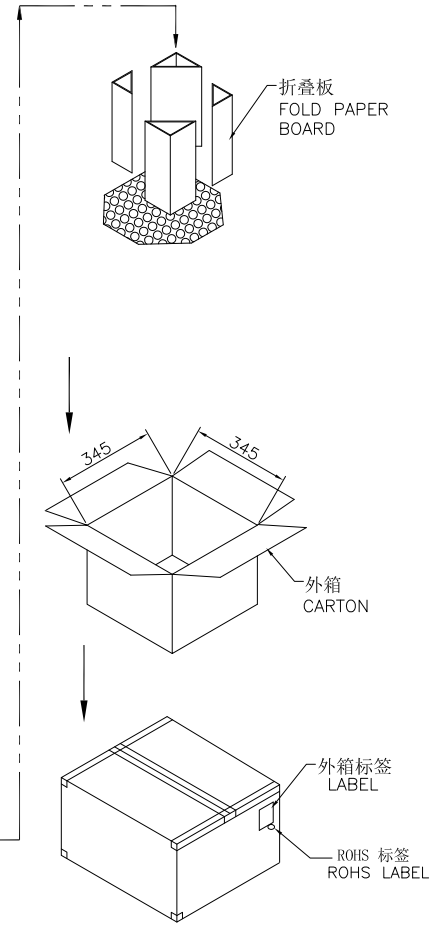
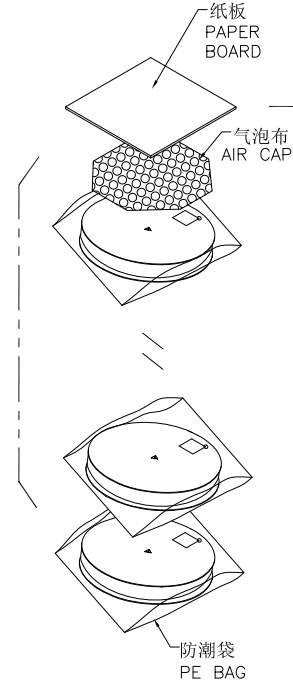


UNLESS OTHERWISE SPECIFIED TOLERANCES					
DECIMALS:	ANGLES:	TITLE IPEX 内针 一代			
X :±0.5	X :±2°	DWN	W00	PART NO. ZX-RF-1-Z21.25	
X.X :±0.10	X.X :±1°	CHKD	Lin R	SCALE: 1:1	UNIT: mm
X.XX :±0.05		APVD	Lin L	SIZE: A4	SHEET: 1 OF 1
X.XXX :±0.005		REV: A			
CUS DWN					

REV.	ECN NO OR DESCRIPTION	REVISED	DATE



ROHS
ROHS 标签
ROHS LABEL



1: 包装内容
INFORMATIONS OF THE PACKING

品名 (TITLE)	料号 (P/N)	一卷包装数量 Q'TY/REEL	一箱包装数量 Q'TY/CARTON
IPEX 内针 一代	ZX-RF-1-Z21.25	4500PCS	18000PCS

UNLESS OTHERWISE SPECIFIED TOLERANCES

DECIMALS:	ANGLES:
X :±0.5	X :±2°
X.X :±0.10	X.X :±1°
X.XX :±0.05	
X.XXX :±0.005	

兆星精密电子 (深圳) 有限公司

TITLE	IPEX 内针 一代			
DWN	WQQ	PART NO.	ZX-RF-1-Z21.25	
CHKD	Lin R	SCALE:1:1	UNIT: mm	
APVD	Lin L	SIZE: A4	SHEET:10F 1	REV: A
CUS DWN				