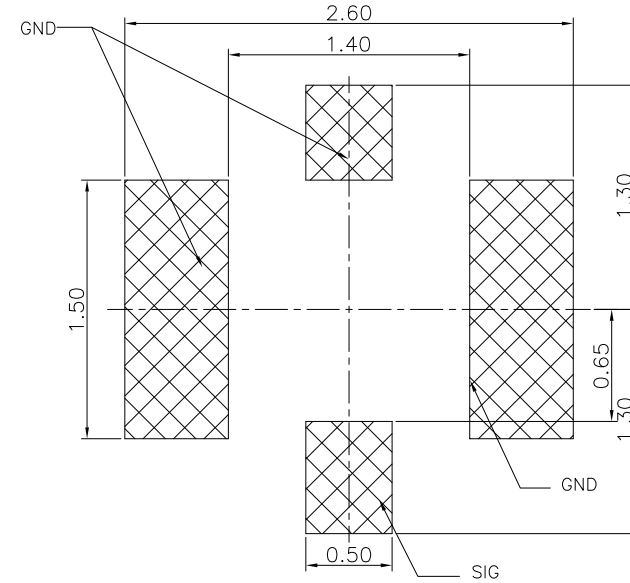
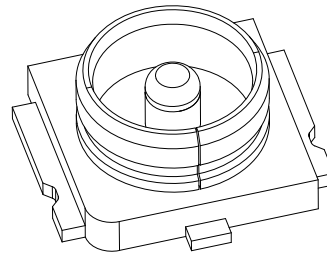
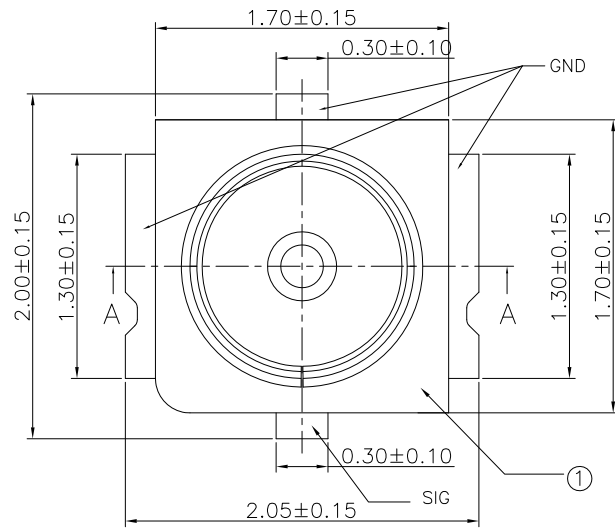
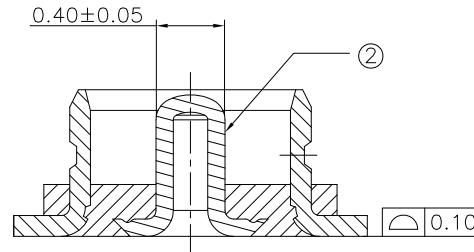
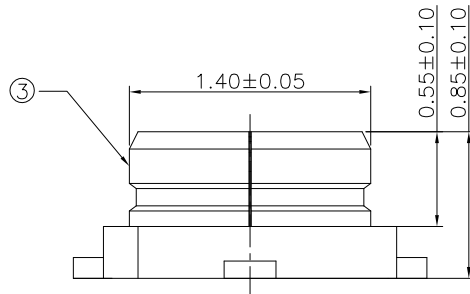


REV.	ECN NO OR DESCRIPTION	REVISED	DATE



Recommended PCB Layout  
(General Tolerance Is ±0.05)



Section: A-A

NOTE:

1. MATERIAL:

① 1.1. HOUSING: THERMOPLASTIC, COLOR: BLACK, UL 94V-0;

② 1.2. CONTACT: COPPER ALLOY, T=0.10mm;

③ 1.3. SHELL: COPPER ALLOY, T=0.12mm.

2. FINISH:

2.1. CONTACT: GOLD FLASH PLATED ON MATING AREA, GOLD FLASH ON SOLDER TAILS, NICKEL UNDER PLATED OVER OF THE ALL;

2.2. SHELL: GOLD FLASH ON THE ALL, NICKEL PLATED UNDER.

3. 产品须符合环保RoHS和REACH标准。

UNLESS OTHERWISE SPECIFIED TOLERANCES

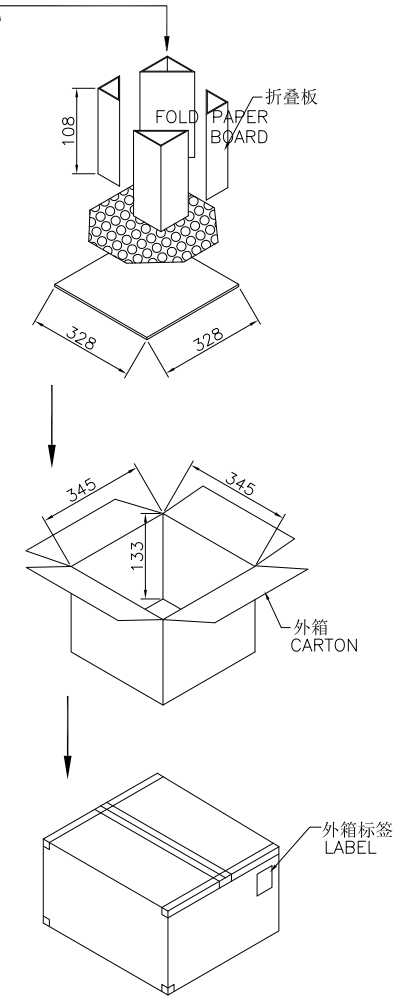
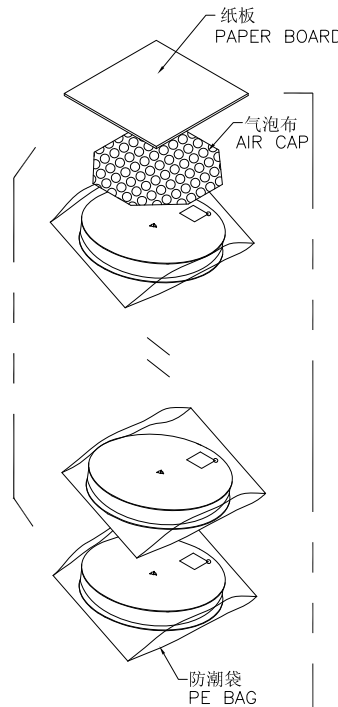
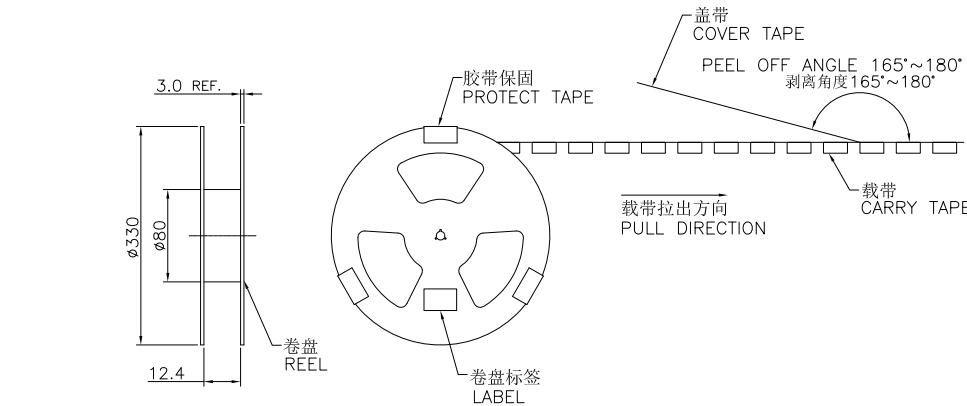
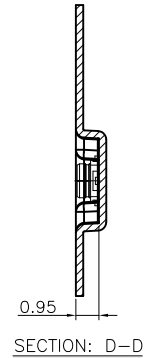
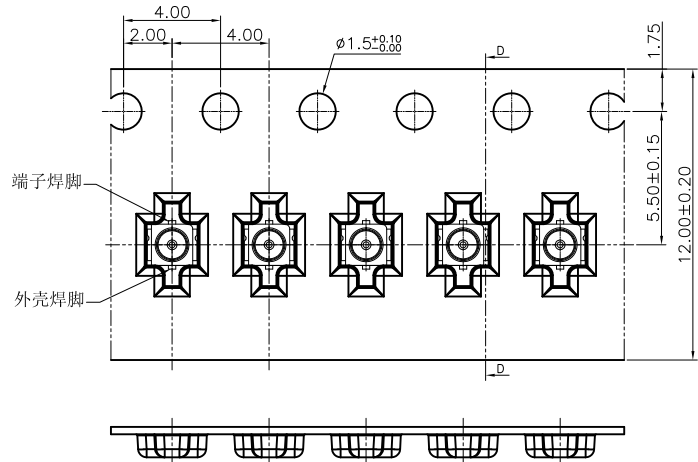
DECIMALS:	ANGLES:
X : ±0.5	X : ±2°
X.X : ±0.10	X.X : ±1°
X.XX : ±0.05	
X.XXX : ±0.005	



兆星精密电子(深圳)有限公司

TITLE	IPEX 内针 三代			
DWN	WQQ	PART NO.	ZX-RF-3-Z21.25	
CHKD	Lin R	SCALE: 1:1	UNIT: mm	
APVD	Lin L	SIZE: A4	SHEET: 1 OF 1	REV: A
CUS DWN				

REV.	ECN NO OR DESCRIPTION	REVISED	DATE



1: 包装内容  
INFORMATIONS OF THE PACKING

品名 (TITLE)	料号 (P/N)	一卷包装数量 Q'TY/REEL	一箱包装数量 Q'TY/CARTON
IPEX 内针 三代	ZX-RF-3-Z21.25	5000PCS	20000PCS

UNLESS OTHERWISE SPECIFIED TOLERANCES

DECIMALS:	ANGLES:
X : ±0.5	X : ±2°
X.X : ±0.10	X.X : ±1°
X.XX : ±0.05	
X.XXX : ±0.005	

兆星精密电子 (深圳) 有限公司

TITLE	IPEX 内针 三代		
DWN	W00	PART NO.	ZX-RF-3-Z21.25
CHKD	Lin R	SCALE: 1:1	UNIT: mm
APVD	Lin L	SIZE: A4	SHEET: 1 OF 1
REV: A			
CUS DWN			