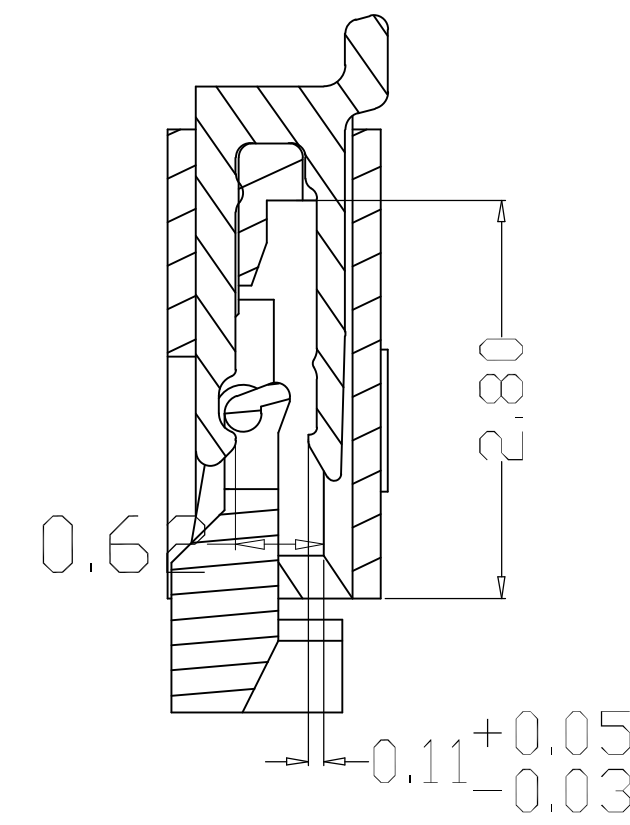
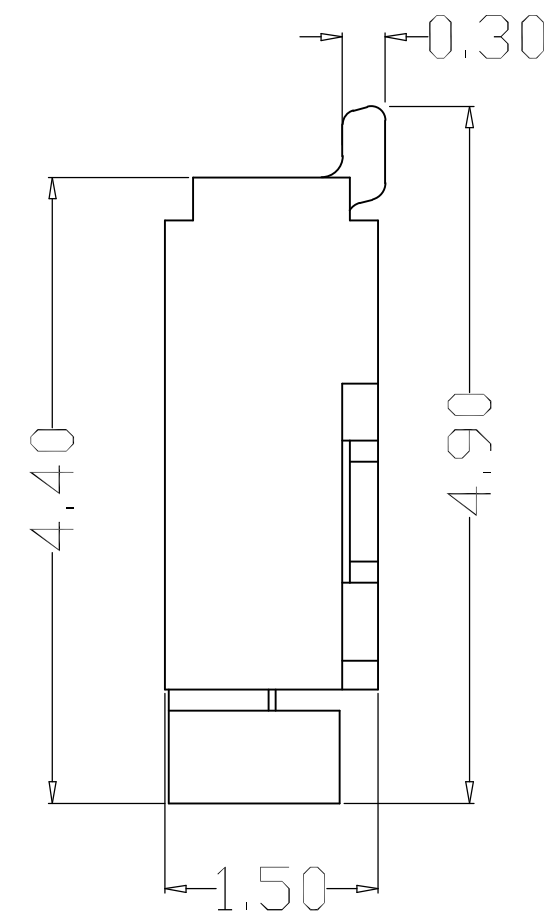
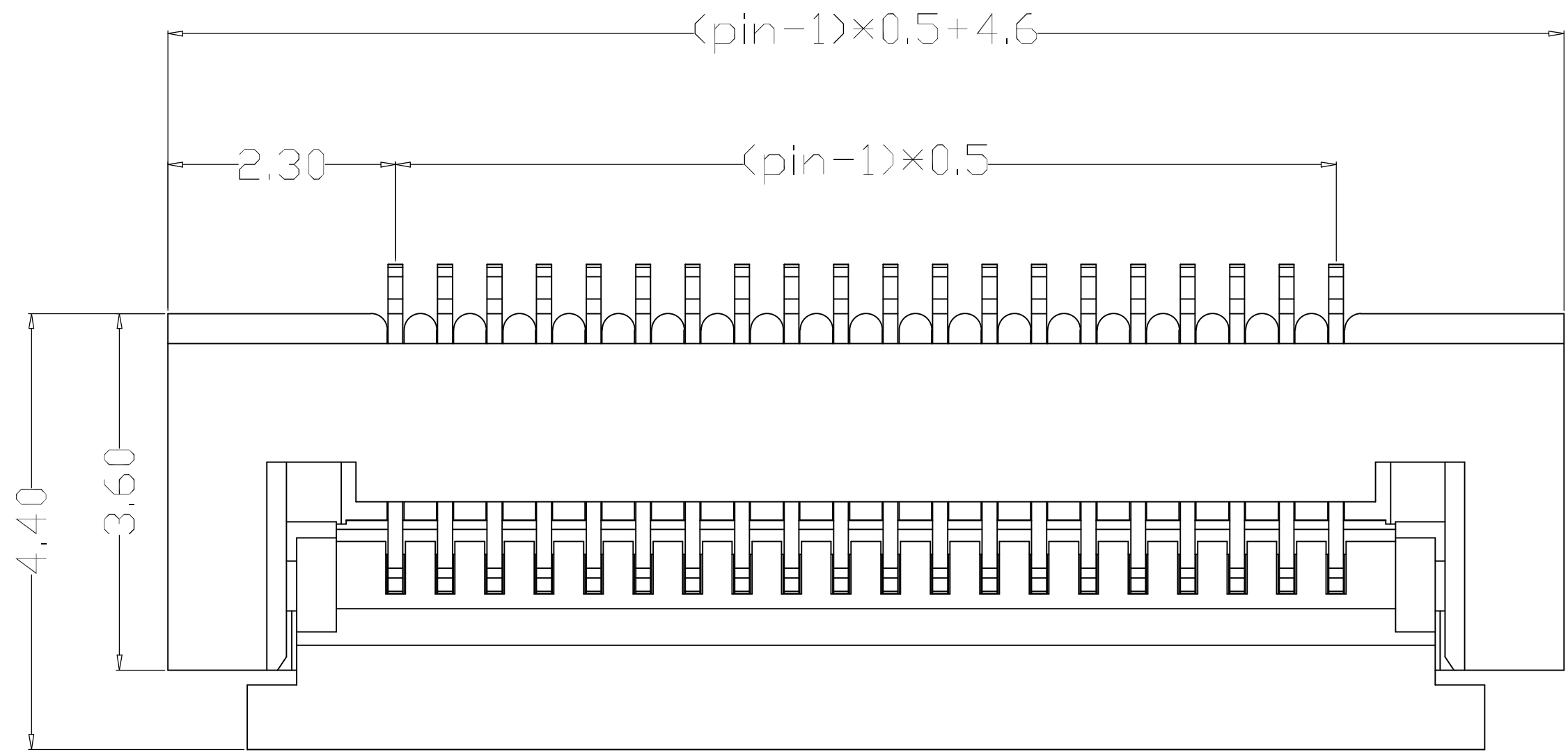
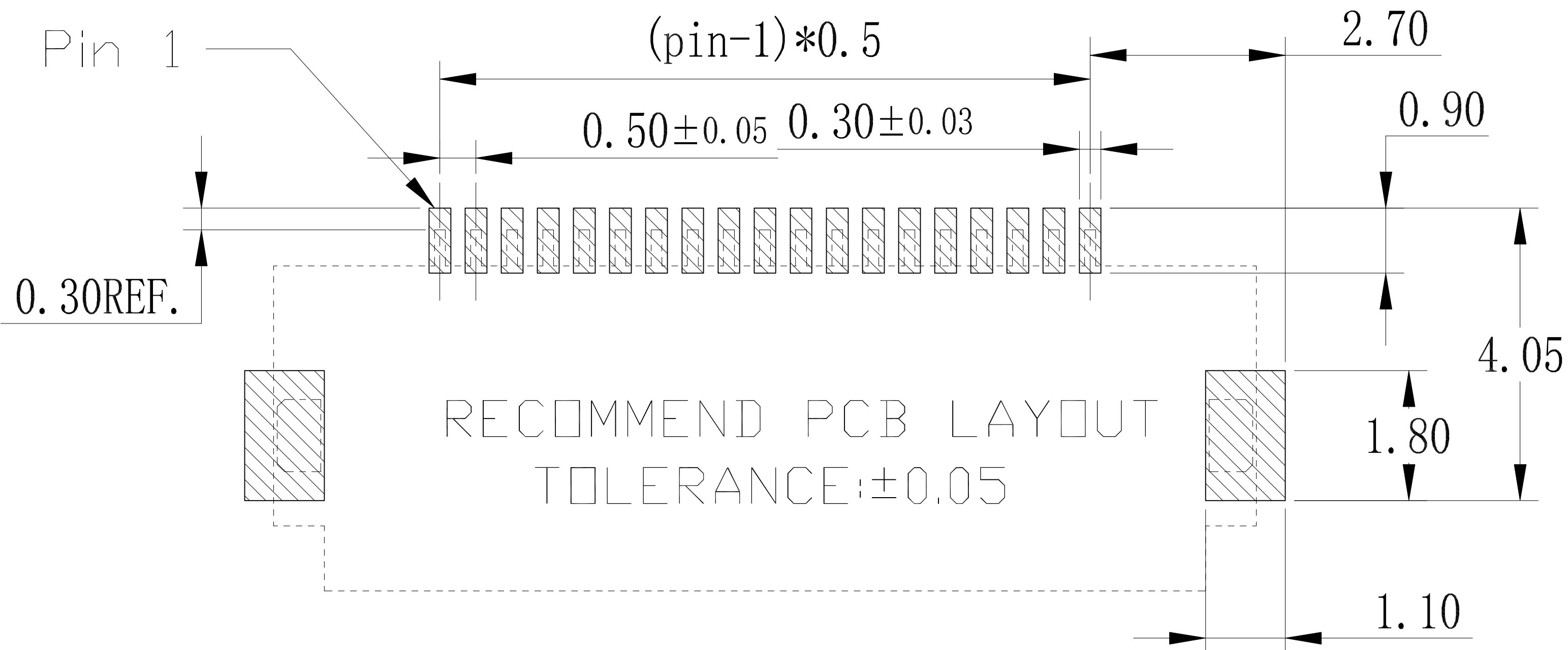
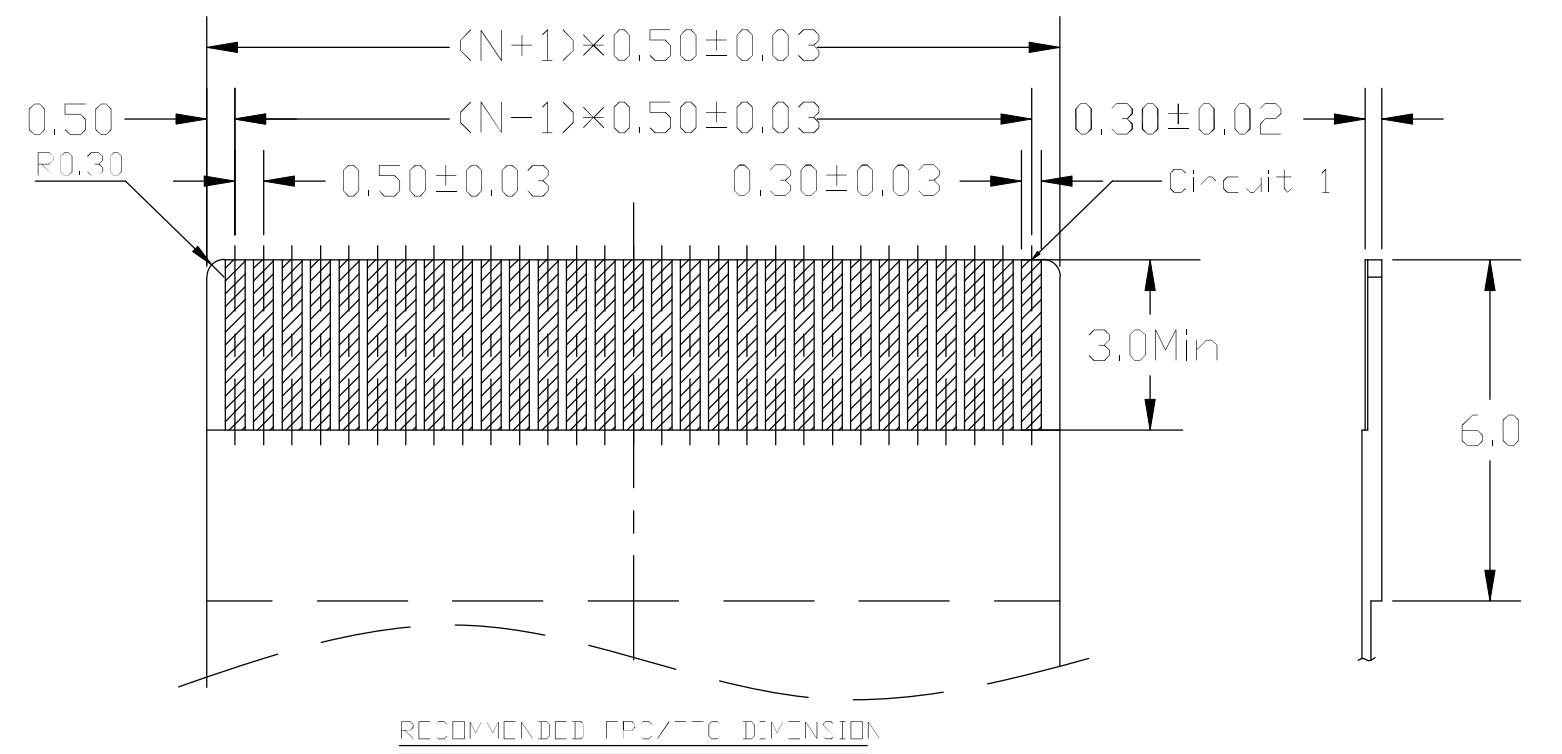
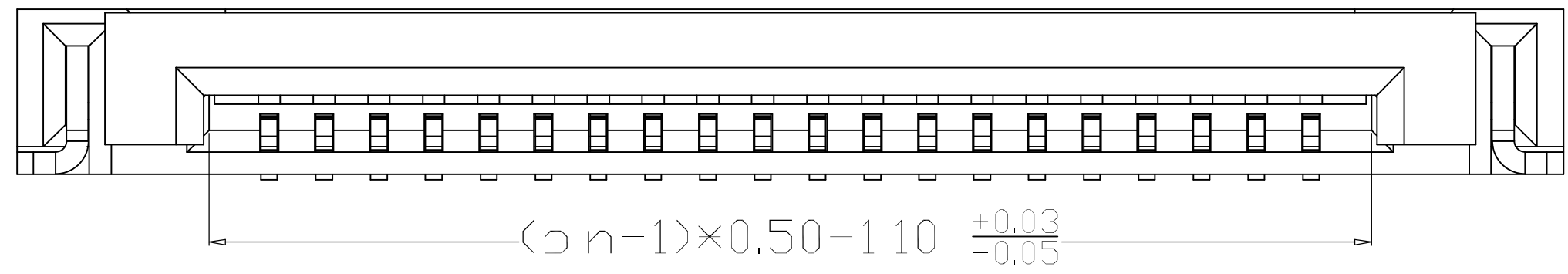


| REV. | DESCRIPTION | APPD. | DATE |
|------|-------------|-------|------|
|      |             |       |      |



NOTES:

- MATERIAL:  
HOUSING: HIGH TEMPERATURE THERMOPLASTIC  
UL94V\_0, COLOR:BLACK.  
CONTACT: COPPER ALLOYS.
- PLATING:  
UNDERPLATE: NICKEL.  
CONTACT AREA: TIN OVER NICKEL.
- MULTIMEDIA CARD COMPATIBLE



|  |          |   |  |                           |                              |
|--|----------|---|--|---------------------------|------------------------------|
| PART NO:   |          | MATERIAL:                                 |  |                           |                              |
| LOT NO:  |          | FINISH:                                   |  |                           |                              |
| UNIT: MM   | SIZE: A4 | COLOR:                                    |  | TITLE: 0.5mm P数:12 翻盖式 下接 |                              |
| TOLERANCES:<br>X.X±0.35<br>X.XX±0.25<br>X.XXX±0.15 |          | GENERAL ANGLE:<br>X.X=±3.0°<br>X.XX=±2.0° |  | DR:                       | DWG NO: ZX-FPC-FWX0.5PH1.512 |
|  |          |   |  | CHK:                      | REV: C/0                     |
|  |          |   |  | APP:                      | SCALE: 1:1 SHEET: 1 OF 1     |