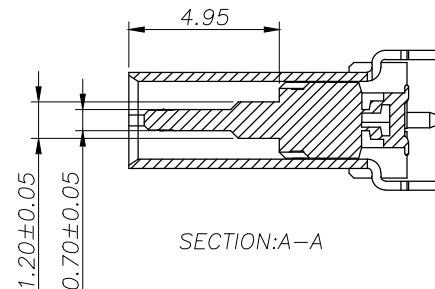
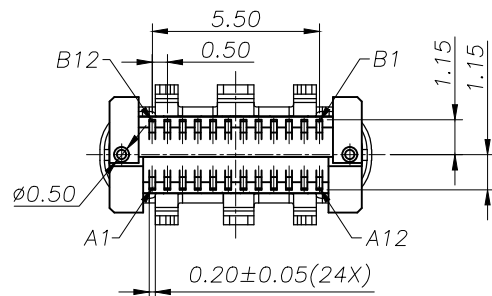
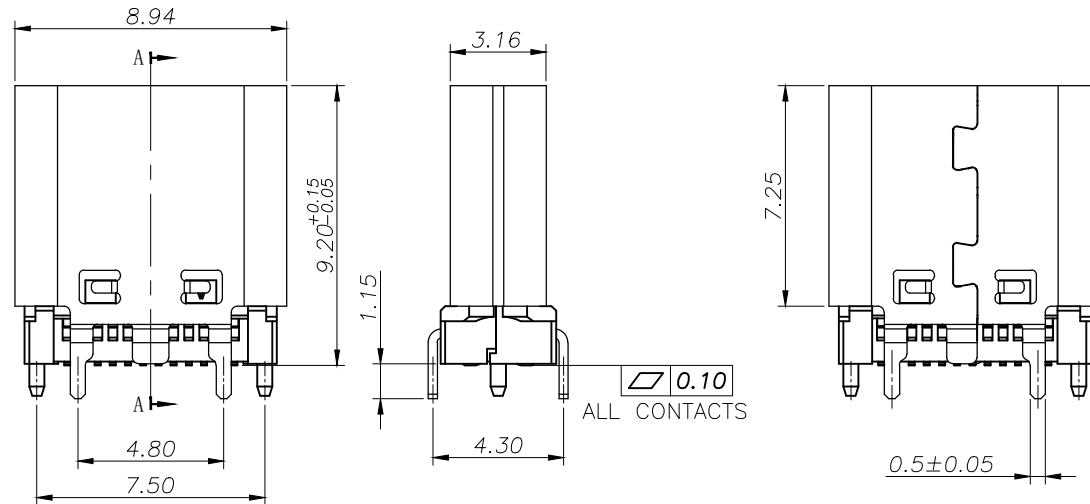
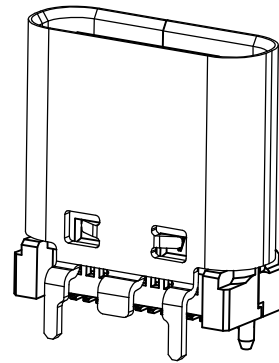
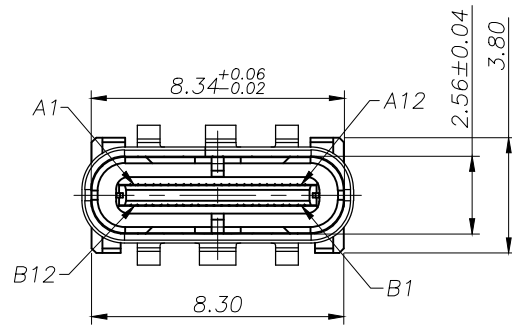


申明: 凡是没有产品料号或有“PRELIMINARY”标示的产品图均为临时图面暂不能生产/DECLARATION: ALL PRODUCT DRAWINGS WITHOUT THE PART NUMBER OR WITH “PRELIMINARY” LABEL ARE TEMPORARY DRAWINGS CAN NOT BE PRODUCED

REV.	ECN NO.	DESCRIPTION	DATE	DESIGN
A	ECN NO.	INITIAL RELEASED	23/05/21	Lin R



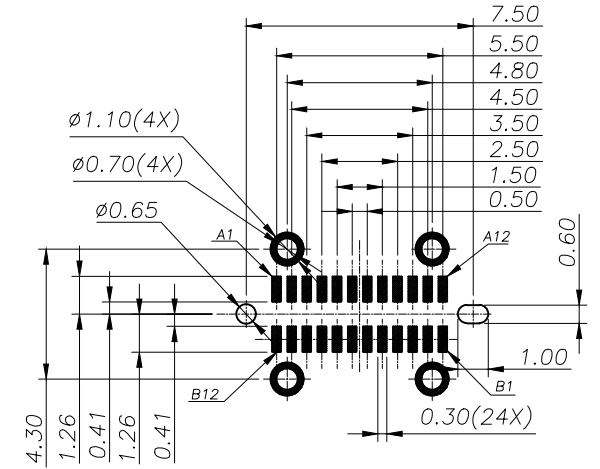
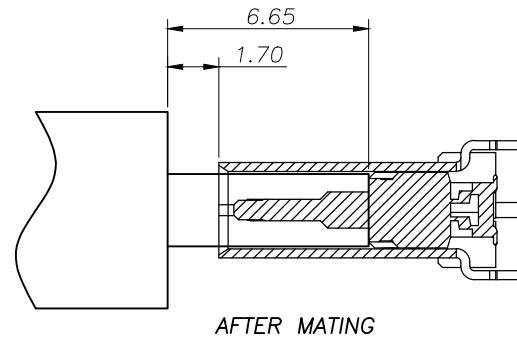
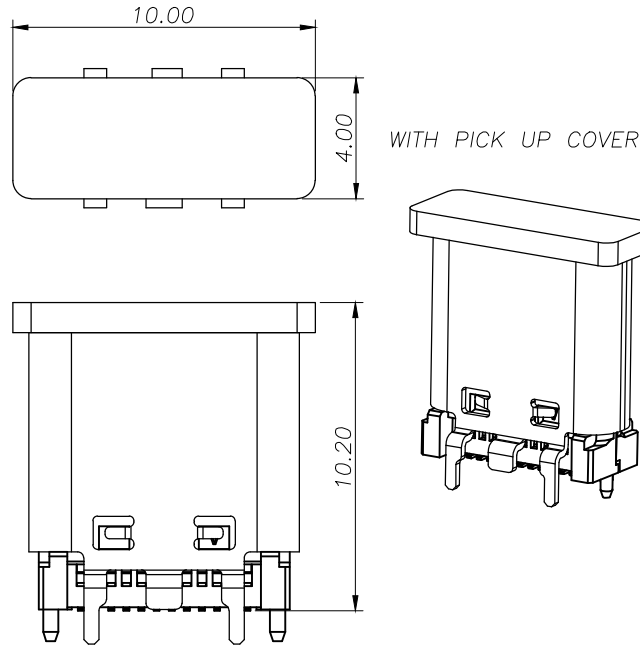
## NOTE:

- MATERIAL SPECIFICATION:
  - HOUSING: HIGH TEMPERATURE RESISTANT PLASTIC, UL94 V-0
  - TERMINAL: COPPER ALLOY (C1815)
  - MID PLATE: STAINLESS STEEL (SUS301)
  - FRONT SHELL: STAINLESS STEEL (SUS304)
  - EMI PLATE: STAINLESS STEEL (SUS304)
- PLATING SPECIFICATION:
  - TERMINAL:
    - Ni 50u" MIN. UNDER PLATED OVER ALL.
    - Au PLATED ON THE FUNCTIONAL AREA OF CONTACT. (GOLD PLATING THICKNESS FOLLOW THE P/N)
    - PLATING SPECIFICATIONS OF THE SOLDER AREA FOLLOW THE P/N
  - FRONT SHELL:
    - Ni 30u" MIN. UNDER PLATED OVER ALL.
  - MID PLATE & EMI PLATE:
    - CLEAR ONLY
- MECHANICAL PERFORMANCE,
  - INSERTION FORCE: 0.5~2.0kgf.
  - REMOVAL FORCE: 0.8kgf~2.0kgf.
  - DURABILITY: 10000 CYCLES.
- ELECTRICAL PERFORMANCE,
  - VOLTAGE RATING: 5 V DC/AC (RMS. max)  
CURRENT RATING: 5 AMPS. FOR TOTAL VBUS/GND PINS;  
1.25AMPS FOR CC PIN, 0.25 AMPS. FOR ALL OTHER CONTACT.
  - LLCR:
    - VBUS & GND PINS AND OTHER PINS: 40mΩ/PIN MAX.
    - LLCR MAX. CHANGE OF ALL PINS: 10mΩ.
  - INSULATION RESISTANCE: 100MΩ MIN
  - DIELECTRIC WITHSTAND VOLTAGE, AC 100V FOR 1 MINUTE.
- ENVIRONMENTAL PERFORMANCE:
  - OPERATING TEMPERATURE: -25°C~+85°C.
  - IR REFLOW:
    - THE PEAK TEMPERATURE ON THE BOARD SHALL BE MAINTAINED FOR 10 SECONDS AT 260°C.

TOLERANCE		NAME (INTENDED USE) CUSTOMER DRAWING	兆星精密电子 (深圳) 有限公司		
X.X ± 0.30	X.* ± 10°	PART NO. ZX-TYPEC-LTM2448-9.2	TITLE: Type-C 母座 立贴		
.XX ± 0.20	.X* ± 8°	DESIGN: Lin R	DRAWG NO. ZX-TYPEC-LTM2448-9.2		
.XXX ± 0.10	.XX* ± 5°				
UNITS	mm				
MATERILA		CHED:			
FINISH		APPD:			
			SCALE	SHEET	REV.
			1:1	1/3	A

申明: 凡是没有产品料号或有“PRELIMINARY”标示的产品图均为临时图面暂不能生产/DECLARATION: ALL PRODUCT DRAWINGS WITHOUT THE PART NUMBER OR WITH “PRELIMINARY” LABEL ARE TEMPORARY DRAWINGS CAN NOT BE PRODUCED

REV.	ECN NO.	DESCRIPTION	DATE	DESIGN
A	ECN NO.	INITIAL RELEASED	23/05/21	Lin R



RECOMMENDED PCB LAYOUT(TOP VIEW)  
THICKNESS 1.0±0.10MM;DEFAULT TOLERANCE:±0.05

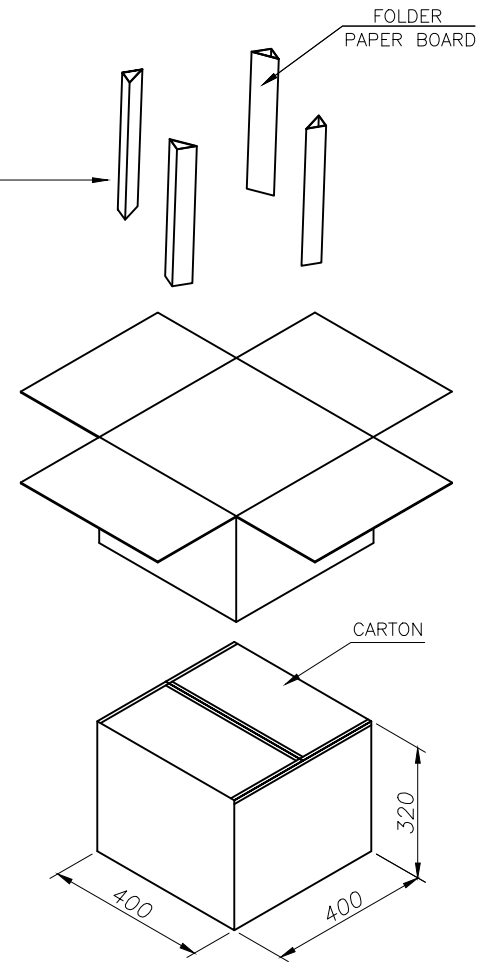
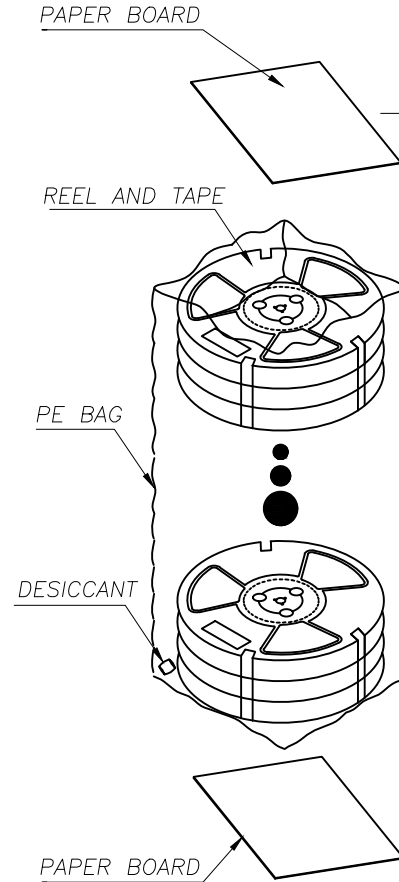
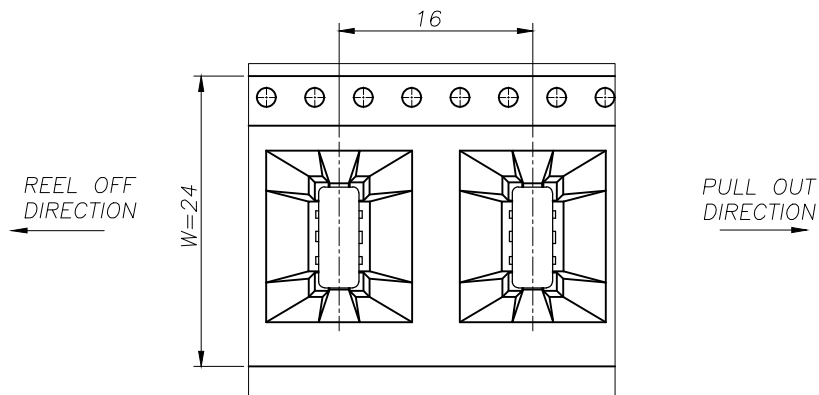
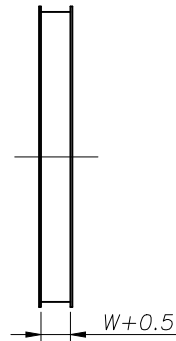
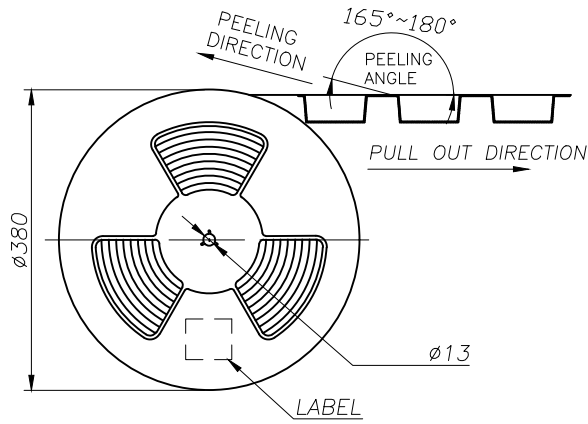
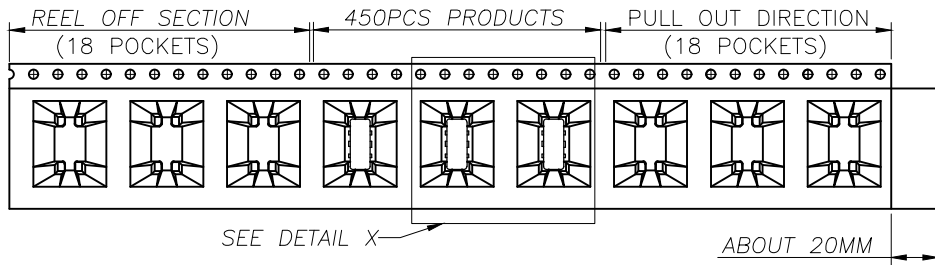
USB TYPE-C PIN ASSIGNMENTS

PIN NUMBER	SIGNAL NAME	PIN NUMBER	SIGNAL NAME
A1	GND	B12	GND
A2	TXp1	B11	RXp1
A3	TXn1	B10	RXn1
A4	Vbus	B9	Vbus
A5	CC1	B8	SBU2
A6	Dp1	B7	Dn2
A7	Dn1	B6	Dp2
A8	SBU1	B5	CC2
A9	Vbus	B4	Vbus
A10	RXn2	B3	TXn2
A11	RXp2	B2	TXp2
A12	GND	B1	GND

TOLERANCE		NAME(INTENDED USE) CUSTOMER DRAWING	兆星精密电子(深圳)有限公司		
X.X ±0.30	X.* ±10°	PART NO.	TITLE: Type-C 母座 立贴		
.XX ±0.20	.X* ± 8°	ZX-TYPEC-LTM2448-9.2	DRAWG NO.		
.XXX ±0.10	.XX* ± 5°	DESIGN: Lin R	SCALE SHEET REV.		
UNITS	mm	CHED:	1:1	2/3	A
MATERILA		APPD:			
FINISH					

申明: 凡是没有产品料号或有“PRELIMINARY”标示的产品图均为临时图面暂不能生产 / DECLARATION: ALL PRODUCT DRAWINGS WITHOUT THE PART NUMBER OR WITH "PRELIMINARY" LABEL ARE TEMPORARY DRAWINGS CAN NOT BE PRODUCED

REV.	ECN NO.	DESCRIPTION	DATE	DESIGN
A	ECN NO.	INITIAL RELEASED	23/05/21	Lin R



	REEL/TRAY	CARTON
CONNECTOR (PCS)	450	4500

TOLERANCE		NAME(INTENDED USE) CUSTOMER DRAWING	兆星精密电子(深圳)有限公司		
X.X	$\pm 0.30$	X.*	$\pm 10^\circ$	PART NO.	
.XX	$\pm 0.20$	.X*	$\pm 8^\circ$	ZX-TYPEC-LTM2448-9.2	
.XXX	$\pm 0.10$	.XX*	$\pm 5^\circ$	TITLE: Type-C 母座 立贴	
UNITS	mm	DESIGN:	Lib R	DRAWG NO.	
MATERILA		CHED:		GAP-ACF014-3R	
FINISH		APPD:		SCALE SHEET REV.	
				1:1	3/3
					A