

5	6	7
REV.	ECR NO.	DESCRIPTION
B		修改焊脚后重新委测图纸

Specification

MATERIAL:

Insulator: High Temperature Thermoplastic, UL 94V-0.
 Contact: Copper Alloy

Electrical:

Current Rating :0.5mA AC/DC max.
 Voltage Rating :12V AC/DC
 Ambient Temperature Range :-20°C~+60°C
 Storage Temperature Range :-40°C~+70°C
 Ambient Humidity Range :95% R.H. Max.
 Contact Resistance:100mΩ max.
 Insulation Resistance:1000M Ωmin./500VDC
 Mating Cycles:5,000 Insertions

Usable Memory Card: SD&MMC Card

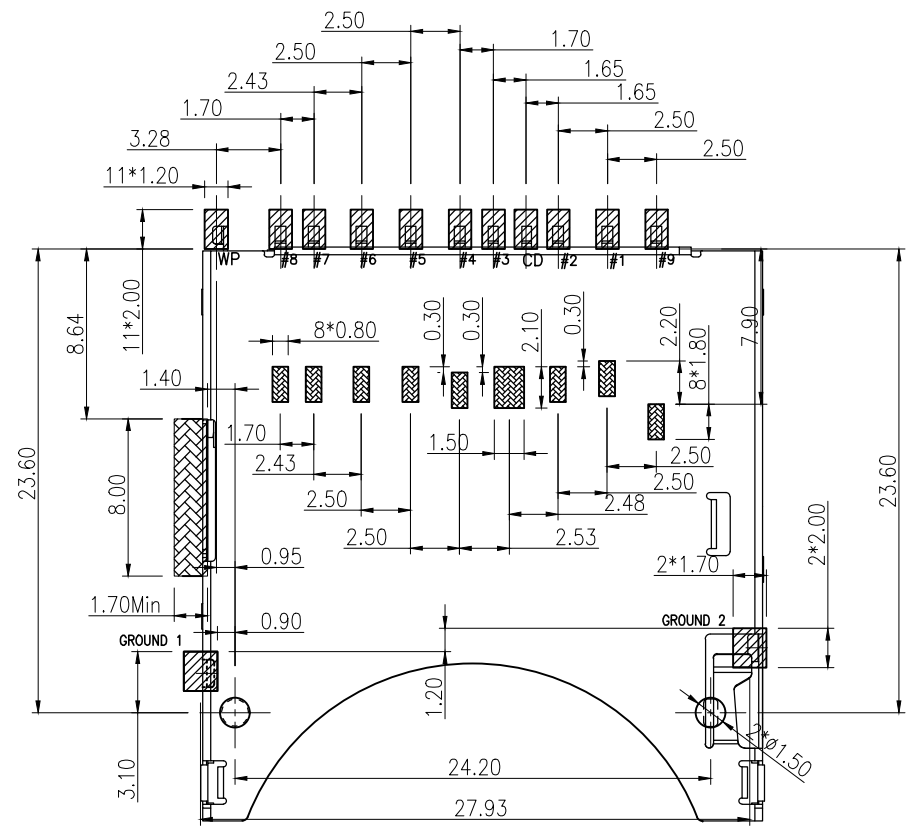


兆星精密电子 (深圳) 有限公司

UNLESS OTHERWISE SPECIFIABLE GENERAL TOLERANCE X.X: ± 0.35 X.XX: ± 0.25 X.XXX: ± 0.15 ANGULAR: ± 1°	TITLE NAME: 标准SD卡卡座锁卡式	DRAW: Lin R	DATE: 23/05/21			
	PART NO.: ZX-SD-482.8J	CHED: Lin R	DATE: 23/05/21			
	DRAWG NO.:	APPD: Lin R	DATE: 23/05/21			
	A4		UNIT: MM	TYPE: Y	SCALE: 1:1	REV: B



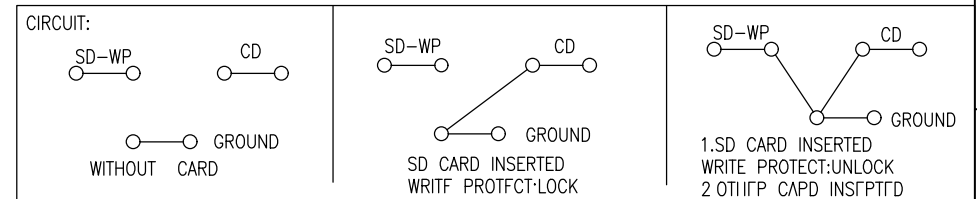
Recommend PCB Layout Drawing:
 (Unit:mm .X ± 0.15 .XX ±0.05 .XXX ± 0.02)



Welding area
 prohibited layout area

REV.	ECR NO.	DESCRIPTION
B		修改引脚后从新更改图纸

PIN NO.	PIN NAME .
#1	(CD/DAT3)
#2	(CMD)
#3	(VSS1)
#4	(VDD)
#5	(CLK)
#6	(VSS2)
#7	(DAT0)
#8	(DAT1)
#9	(DAT2)



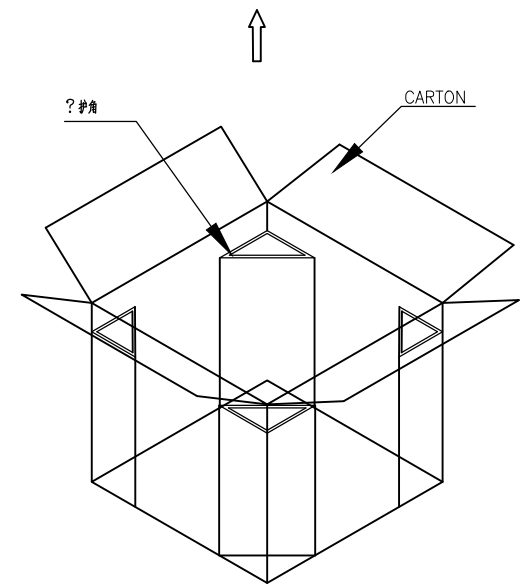
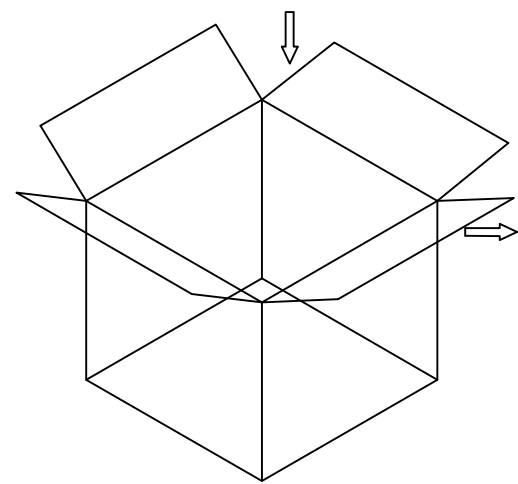
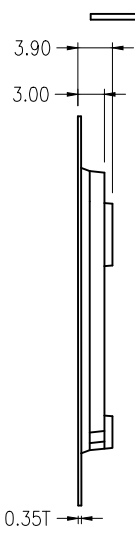
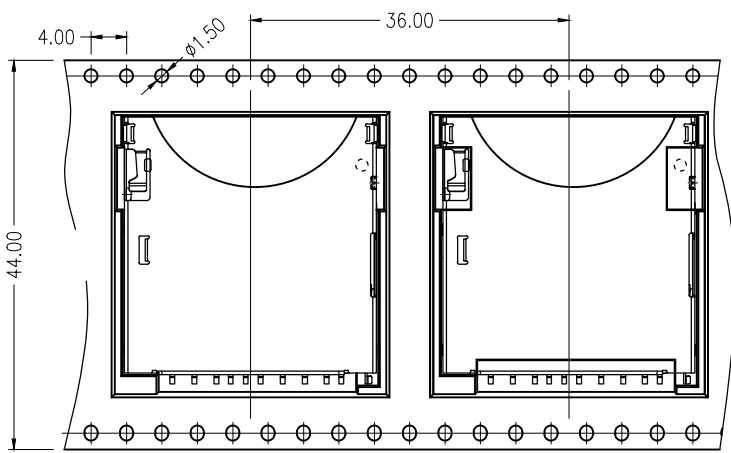
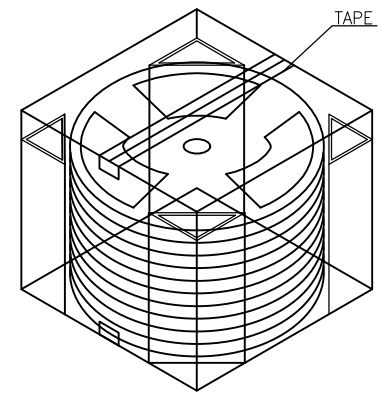
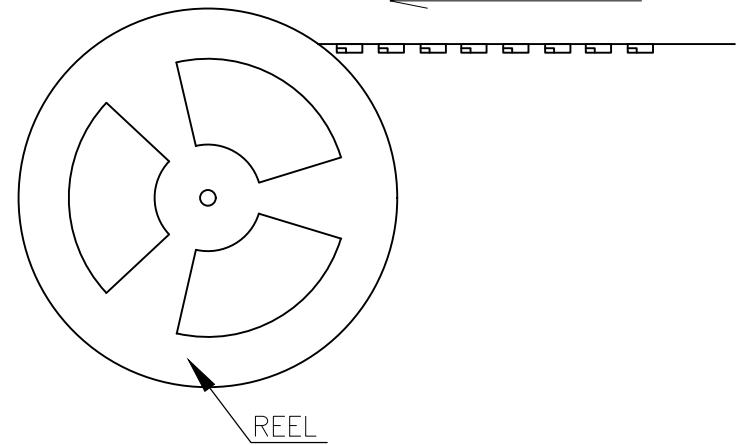
兆星精密电子 (深圳) 有限公司

UNLESS OTHERWISE SPECIFIABLE GENERAL TOLERANCE X.X: ± 0.35 X.XX: ± 0.25 X.XXX: ± 0.15 ANGULAR: ± 1°	TITLE NAME: 标准SD卡卡座锁卡式	DRAW: Lin R	DATE: 23/05/21
	PART NO. : ZX-SD-482.8J	CHED: Lin R	DATE: 23/05/21
	DRAWG NO. :	APPD: Lin R	DATE: 23/05/21
	A4	UNIT: MM TYPE: Y SCALE: 1:1	REV: B PAGE: 2/3

RoHS

方向

5	6	7
REV.	ECR NO.	DESCRIPTION



PACKING INFORMATION

PART NAME	
QUANTITY OF PER TRAY	400PCS/REEL
QUANTITY OF PER CARTON	6*400=2400PCS/CARTON
WEIGHT OF PER TRAY	
WEIGHT OF PER CARTON (NET WEIGHT)	
GROSS WEIGHT	
SIZE	350*350*345



兆星精密电子 (深圳) 有限公司

UNLESS OTHERWISE SPECIFIABLE GENERAL TOLERANCE X.X: ± 0.35 X.XX: ± 0.25 X.XXX: ± 0.15 ANGULAR: ± 1°	TITLE NAME: 标准SD卡卡座 锁卡式	DRAW: Lin R	DATE: 23/05/21
	PART NO.: ZX-SD-482.8J	CHED: Lin R	DATE: 23/05/21
	DRAWG NO.:	APPD: Lin R	DATE: 23/05/21
	A4	UNIT: MM TYPE: Y SCALE: 1:1	REV: B PAGE: 3/3