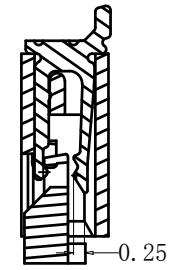
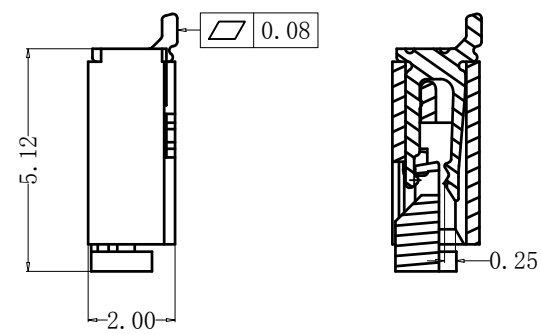
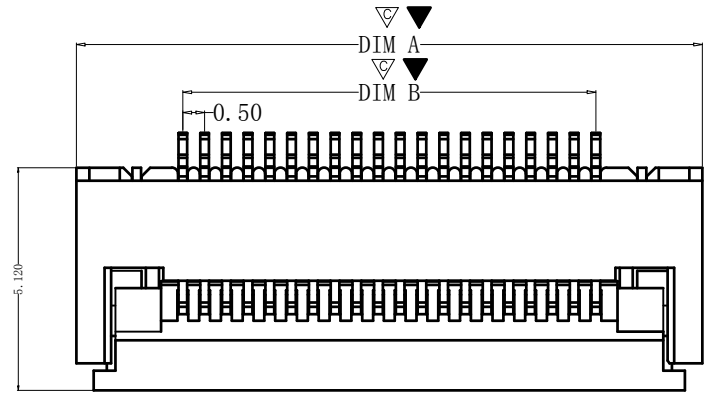
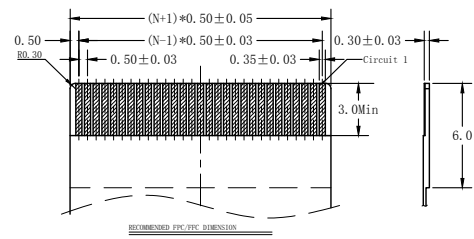
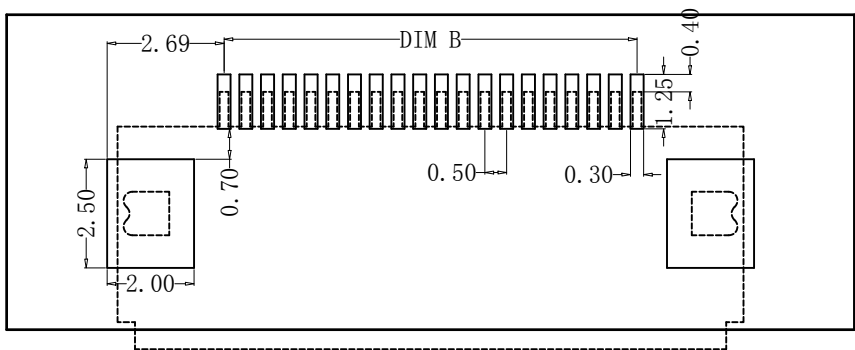
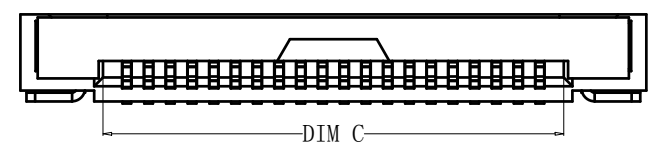


| REV. | DESCRIPTION | APPD | DATE |
|------|-------------|------|------|
| | | | |



NOTES:
 1.MATERIAL:
 HOUSING: HIGH TEMPERATURE THERMOPLASTIC UL94V_0,COLOR:BLACK.
 CONTACT: COPPER ALLOYS.
 2.PLATING:
 UNDERPLATE: NICKEL.
 CONTACT AREA: TIN OVER NICKEL.
 3.MULTIMEDIA CARD COMPATIBLE

| PIN NO. | DIM. A | DIM. B | DIM. C |
|---------|--------|--------|--------|
| 28 | 18.40 | 13.50 | 14.57 |
| 29 | 18.90 | 14.00 | 15.07 |
| 30 | 19.40 | 14.50 | 15.57 |
| 31 | 19.90 | 15.00 | 16.07 |
| 32 | 20.40 | 15.50 | 16.57 |
| 33 | 20.90 | 16.00 | 17.07 |
| 34 | 21.40 | 16.50 | 17.57 |
| 35 | 21.90 | 17.00 | 18.07 |
| 36 | 22.40 | 17.50 | 18.57 |
| 37 | 22.90 | 18.00 | 19.07 |
| 38 | 23.40 | 18.50 | 19.57 |
| 39 | 23.90 | 19.00 | 20.07 |
| 40 | 24.40 | 19.50 | 20.57 |
| 41 | 24.90 | 20.00 | 21.07 |
| 42 | 25.40 | 20.50 | 21.57 |
| 43 | 25.90 | 21.00 | 22.07 |
| 44 | 26.40 | 21.50 | 22.57 |
| 45 | 26.90 | 22.00 | 23.07 |
| 46 | 27.40 | 22.50 | 23.57 |
| 47 | 27.90 | 23.00 | 24.07 |
| 48 | 28.40 | 23.50 | 24.57 |
| 49 | 28.90 | 24.00 | 25.07 |
| 50 | 29.40 | 24.50 | 25.57 |
| 51 | 29.90 | 25.00 | 26.07 |
| 52 | 30.40 | 25.50 | 26.57 |
| 53 | 30.90 | 26.00 | 27.07 |
| 54 | 31.40 | 26.50 | 27.57 |
| 55 | 31.90 | 27.00 | 28.07 |
| 56 | 32.40 | 27.50 | 28.57 |
| 57 | 32.90 | 28.00 | 29.07 |
| 58 | 33.40 | 28.50 | 29.57 |
| 59 | 33.90 | 29.00 | 30.07 |
| 60 | 34.40 | 29.50 | 30.57 |



| | | | | |
|---|----------|---|--|----------------------------|
| PART NO: | | MATERIAL: | | |
| LOT NO: | | FINSH: | | |
| UNIT: MM | SIZE: A4 | COLOR: | | TITLE: 0.5mm P数: 50 翻盖式 下接 |
| TOLERANCES: X.X=±0.35 X.XX=±0.25 X.XXX=±0.15 | | GENERAL ANGLE: X.X=±3.0° X.XX=±2.0° | | DWG NO: ZX-FPC-FWX0.5PH250 |
| | | DR: | | REV: C/O |
| | | CHK: | | SCALE: 1:1 |
| | | APP: | | SHEET: 1 OF 1 |