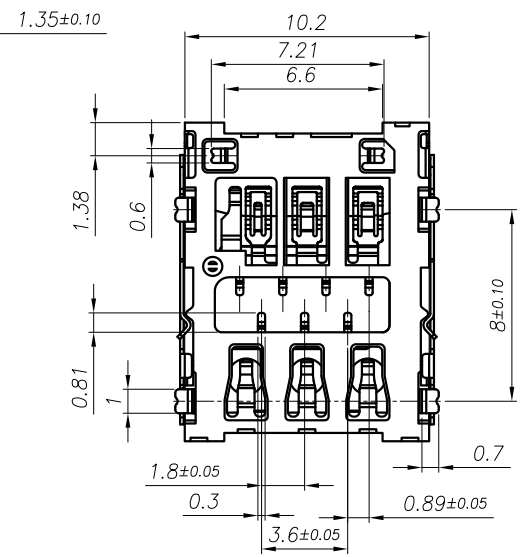
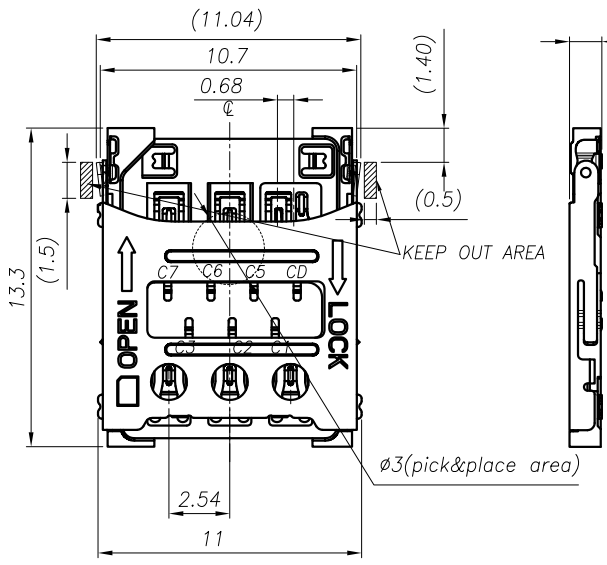
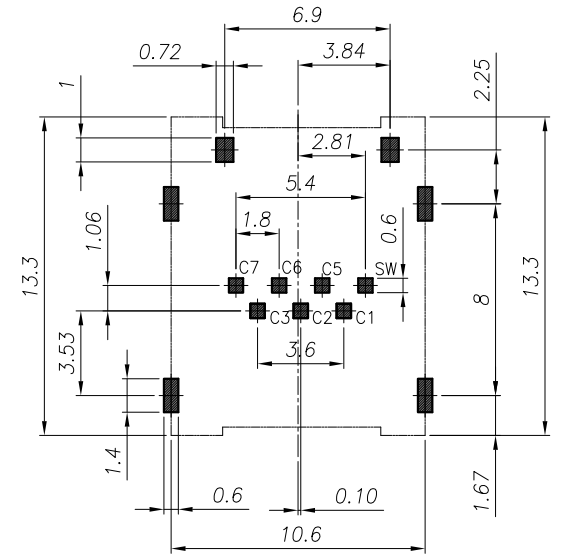


REV.	ECN NO OR DESCRIPTION	REVISED	DATE
▽1	PROPOSE ONLY		

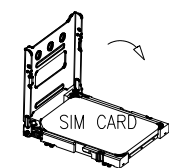


SW Circuit Description for Connector:

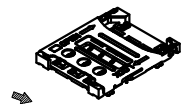
CARD INSERTION STATE	DETECT SWITCH CIRCUIT STATE	SCHEMATIC
UNMATED	OPENED	DETECT PIN C5
MATED	CLOSED	DETECT PIN C5



RECOMMENDED PCB LAYOUT TOP VIEW (TOLERANCE:±0.05)
RECOMMENDED METAL MASK T=0.12MM



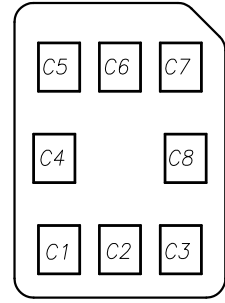
1. PLACE SIM CARD,
THEN HINGE THE SHELL



2. SLIDE THE SHELL,
CARD LOCKED

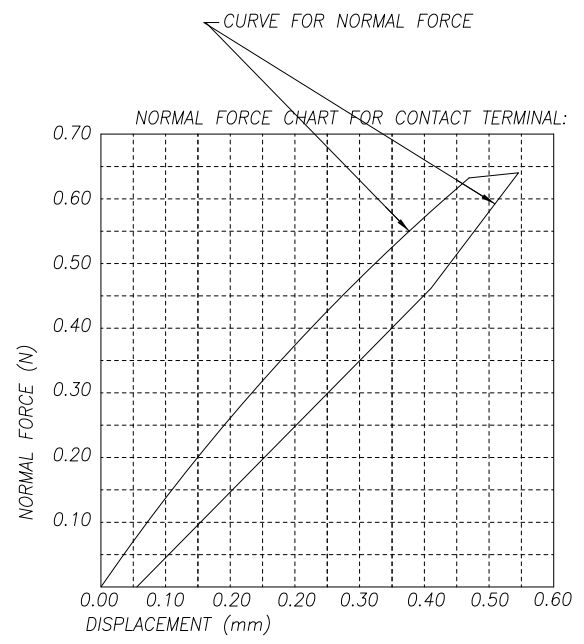
【 SIM Card Pin Assignments 】

PIN	Name
C1	Vcc
C2	RST
C3	CLK
C4	Reserved
C5	GND
C6	Vpp
C7	I/O
C8	Reserved



NOTES:

- MATERIAL:SEE TABLE
- SPECIALITY:
 - Rated current: 0.5A Max
 - Rated voltage: 30V AC
 - Contact Resistance:100mohm MAX
 - Insulation Resistance:1000Mohm MIN 500V DC
 - Dielectric withstanding voltage: 500V AC/minute.
 - Solder ability:250±5 10±0.5s.
 - Durability:5000 Cycles
 - Mating and Unmating force
Insertion Force 10N Max
Withdrawal Fore 0.5N Min



NO.	PART NAME	Q'TY	DESCRIPTION	NOTE
③	TERMINAL	6	C5210-EH,T=0.12	Au 3u" PLATING
②	BASE INSULATOR	1	LCP+GF30%	BLACK
①	SHELL	1	SUS304-H,T=0.15	AU/Ni PLATING

UNLESS OTHERWISE SPECIFIED TOLERANCES

DECIMALS: X :±0.5 X.X :±0.20 X.XX :±0.10

ANGLES: X :±2° X.X :±1°

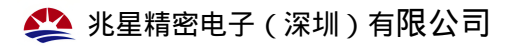
TITLE: 翻盖式 NanoSIM卡卡座

DWN: PART NO. ZX-NSIM-481.35J-F

CHKD: SCALE:1:1 UNIT: mm

APVD: SIZE: A3 SHEET:10F 1 REV: A2

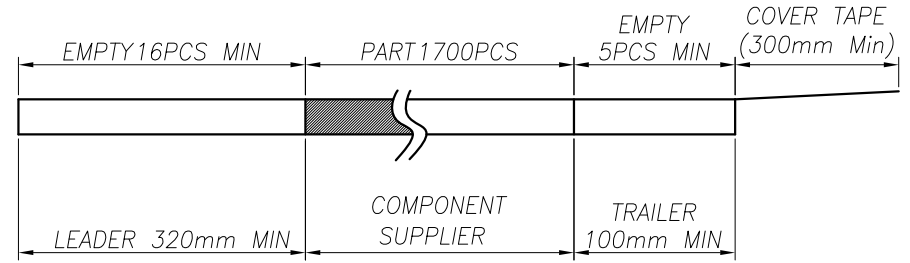
CUSTOMER COPY



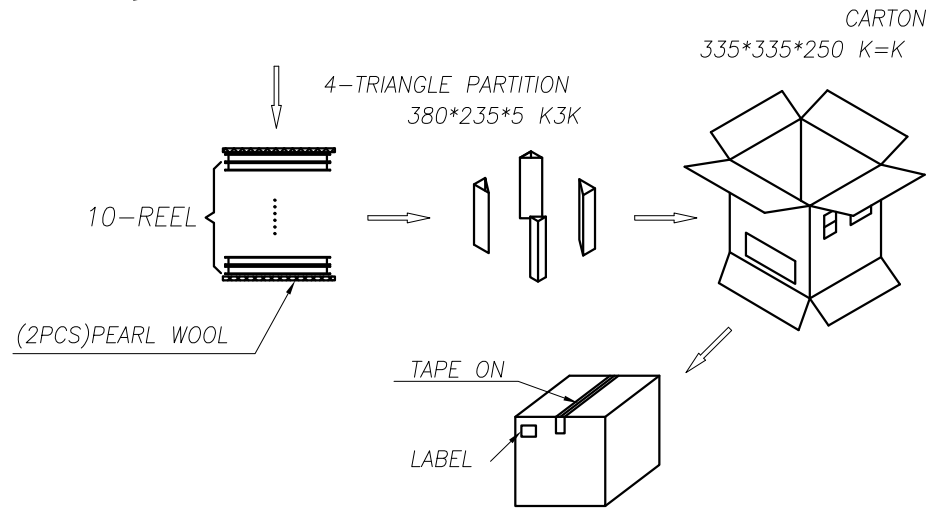
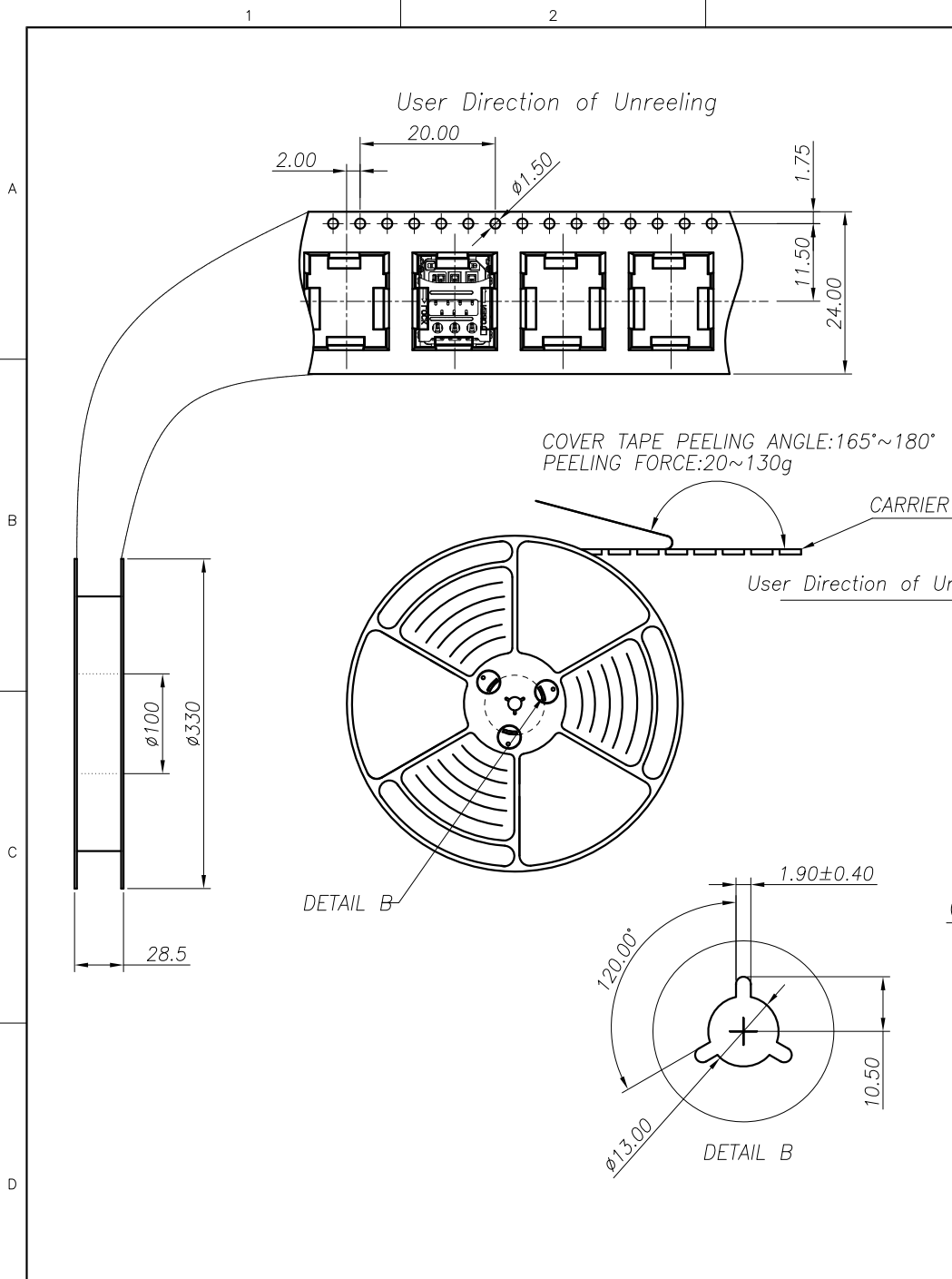
5	6		
REV.	ECN NO OR DESCRIPTION	REVISED	DATE
▽	PROPOSE ONLY	---	

NOTES

1. NUMBER OF CONNECTORS: 1700PCS/REEL
2. LEAD TAPE LENGTH



3. QUANTITY: 17,000PCS/CARTON
4. WEIGHT :
 - 3.1 NET WEIGHT : 2.4Kg
 - 3.2 GROSS WEIGHT : 6.5Kg



1				
ITEM	PRODUCT NO.	PCS/REEL	REEL/CARTON	PCS/CARTON

UNLESS OTHERWISE SPECIFIED TOLERANCES		兆星精密电子(深圳)有限公司		
DECIMALS: X :±0.5, X.X :±0.20, X.XX :±0.10		TITLE 翻盖式 NanoSIM卡卡座		
ANGLES: X :±2°, X.X :±1°		DWN	PART NO. ZX-NSIM-481.35J-F	
		CHKD	SCALE: 1:1	UNIT: mm
		APVD	SIZE: A3	SHEET: 10F 1
		REV: A2		
CUSTOMER COPY				