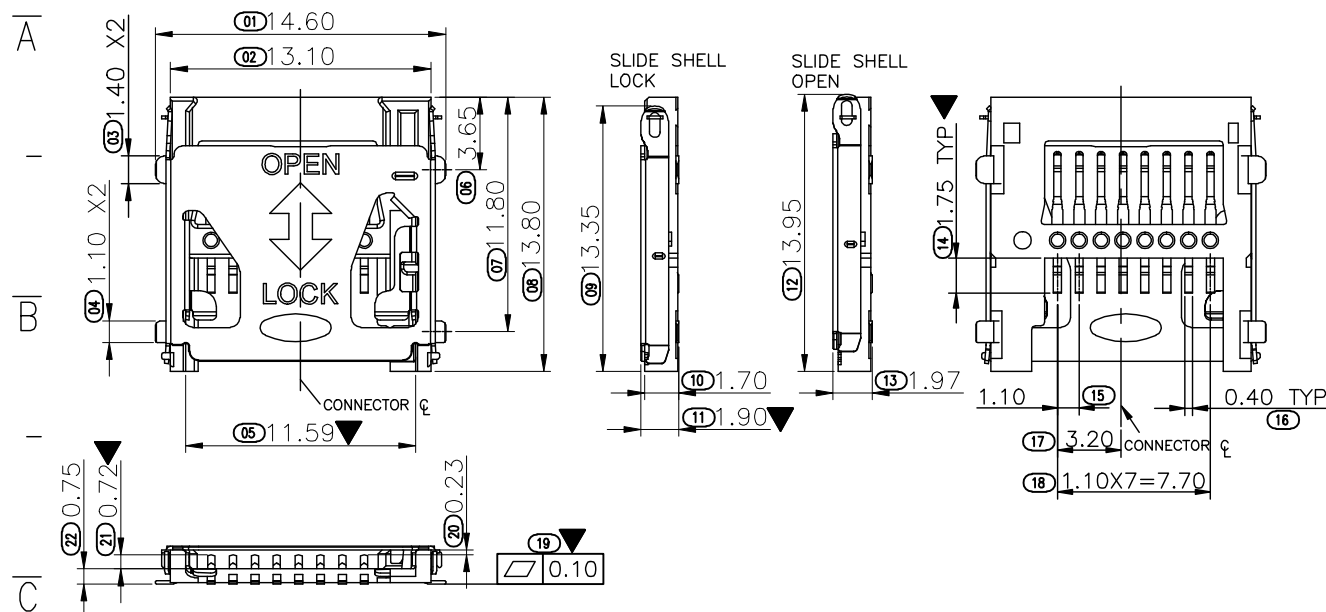
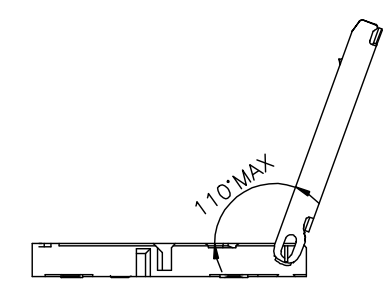
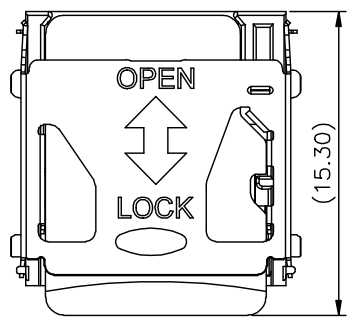
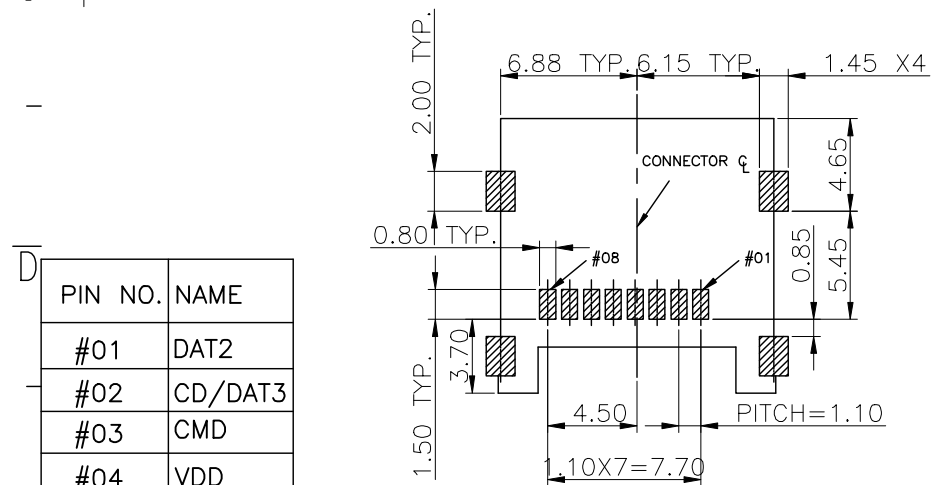
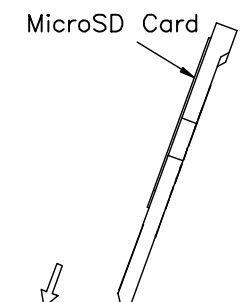


RoHS

REV.	EC#	DESCRIPTION	DATE	DRAWING	CHECKED	APPROVED
A0		NEW RELEASE				
A1	ECN1711008	取消D面胶面凸点, 增加重点标示	23/05/21	Lin R	Lin R	Lin R



- NOTES:
- MATERIAL:  
 INSULATOR: HIGH TEMPERATURE THERMO PLASTIC  
 FLAMMABILITY RATING: UL94V-0 COLOR: BLACK  
 CONTACT: COPPER ALLOYS  
 COVER: STAINLESS STEEL
  - CONTACT AREA PLATING: GOLD 15U" OVER NI
  - SOLDER TAIL COPLANARITY MUST BE WITHIN 0.10MAX.

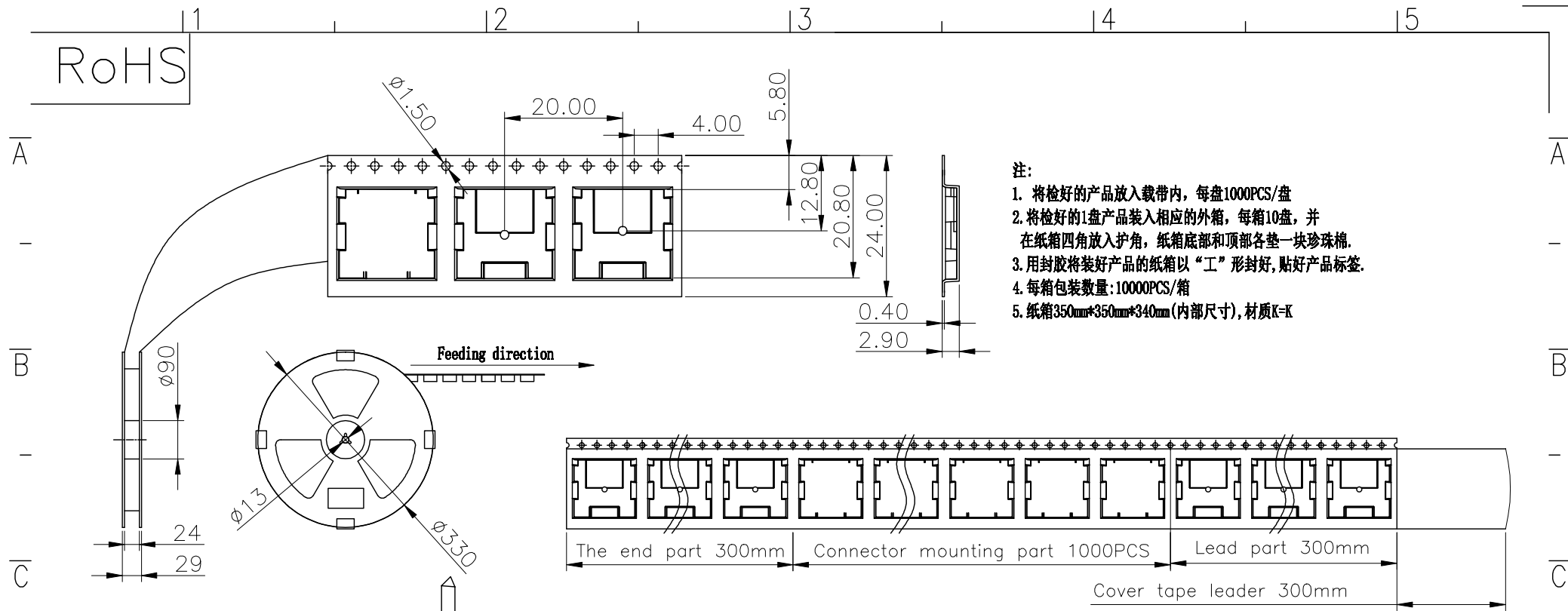


PIN NO.	NAME
#01	DAT2
#02	CD/DAT3
#03	CMD
#04	VDD
#05	CLK
#06	VSS
#07	DAT0
#08	DAT1

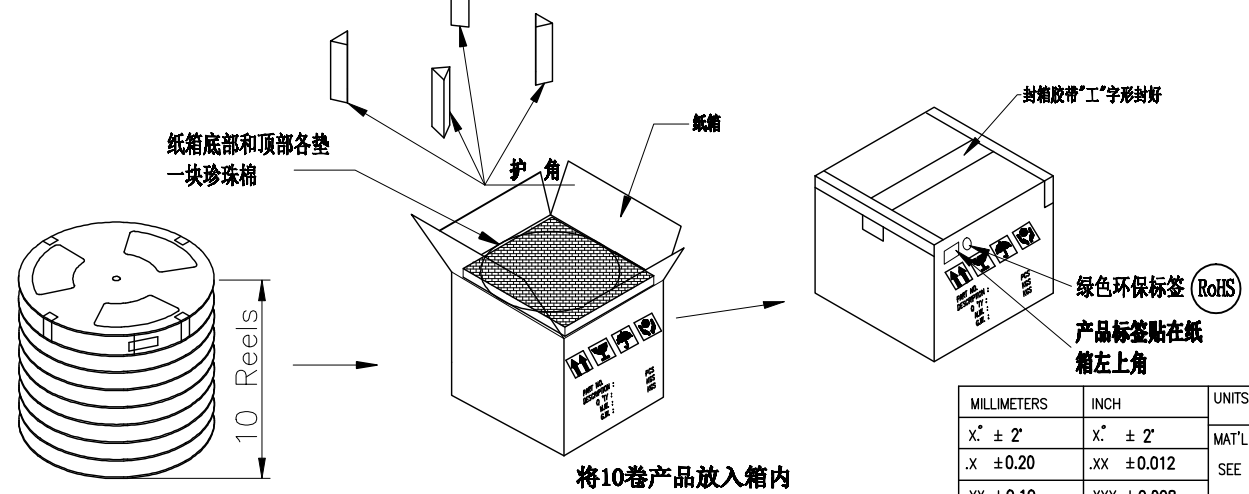
RECOMMENDED PCB LAYOUT(TOP VIEW)  
 GENERAL TOLERANCES:±0.05  
 SOLDER AREA

MILLIMETERS	INCH	UNITS			
X. <sup>*</sup> ± 2 <sup>*</sup>	X. <sup>*</sup> ± 2 <sup>*</sup>	MM			
.X ± 0.30	.XX ± 0.012	MAT'L	PART NUMBER:	TITLE:	
.XX ± 0.20	.XXX ± 0.008	SEE NOTES	ZX-TF-481.9J	Mi croSD卡(TF卡) 卡座	
.XXX±0.10	.XXXX±0.004	FINISH	APPD:	Lin R	DWG NO.:
THESE DRAWINGS AND SPECIFICATIONS ARE THE PROPERTY OF Jin Bi Lai Electronics Group. COPIED OR USED IN ANY MANNER WITHOUT THE PRIOR WRITTEN CONSENT OF Jin Bi Lai Electronics Group IS PROHIBITED.			CHKD:	Lin R	SCALE
QTY	SEE NOTES	DR:	Lin R	1:1	SHEET
SEE NOTES				1/2	REV.
					A1

RoHS



- 注:
1. 将检好的产品放入载带内, 每盘1000PCS/盘
  2. 将检好的1盘产品装入相应的外箱, 每箱10盘, 并在纸箱四角放入护角, 纸箱底部和顶部各垫一块珍珠棉.
  3. 用封胶将装好产品的纸箱以“工”形封好, 贴好产品标签.
  4. 每箱包装数量: 10000PCS/箱
  5. 纸箱350mm\*350mm\*340mm(内部尺寸), 材质K=K



将10卷产品放入箱内

MILLIMETERS	INCH	UNITS	兆星精密电子(深圳)有限公司		
X. <sup>o</sup> ± 2'	X. <sup>o</sup> ± 2'	MM	PART NUMBER: ZX-TF-481.9J TITLE: MI croSD卡(TF卡) 卡座		
.X ± 0.20	.XX ± 0.012	MAT'L			
.XX ± 0.10	.XXX ± 0.008	SEE NOTES	APPD: Lin R	DWG NO.:	
.XXX ± 0.05	.XXXX ± 0.008	FINISH	CHKD: Lin R	SCALE SHEET REV.	
THESE DRAWINGS AND SPECIFICATIONS ARE THE PROPERTY OF Dong Guan Jin Bi Electronic Co.,Ltd			DR: Lin R	1:1 2/2 A1	
COPIED OR USED IN ANY MANNER WITHOUT THE PRIOR WRITTEN CONSENT OF Dong Guan Jin Bi Electronic Co.,Ltd			SEE NOTES		