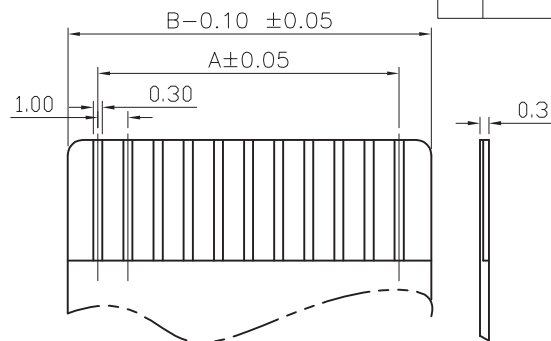
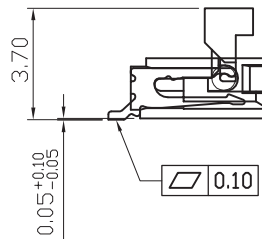
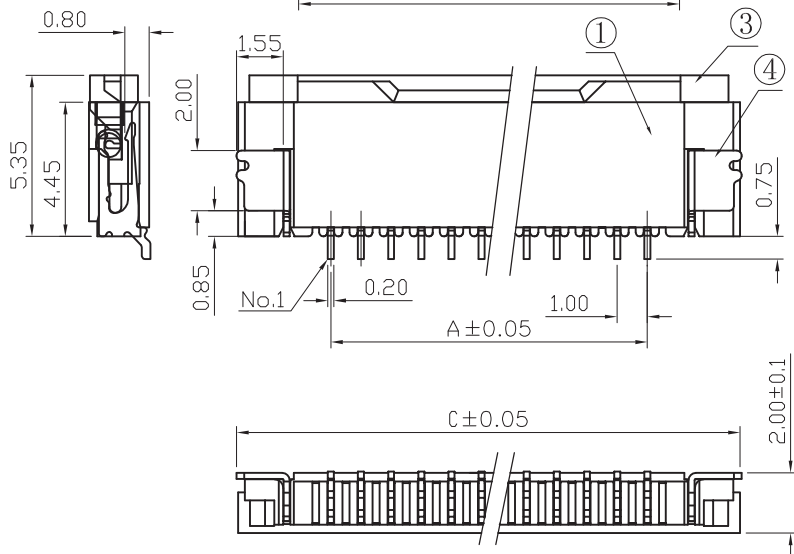
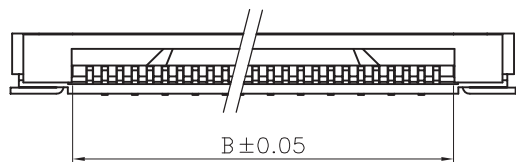
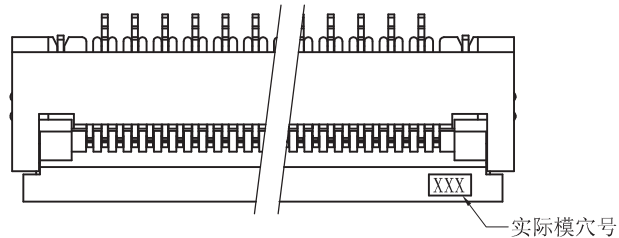


RoHS



适用FFC寸法  
Applicable FFC

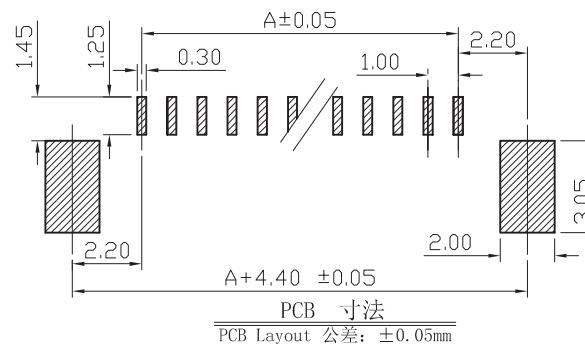
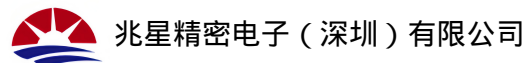


TABLE :

N	A	B	C
3	2.00	4.10	8.20
4	3.00	5.10	9.20
5	4.00	6.10	10.20
6	5.00	7.10	11.20
7	6.00	8.10	12.20
8	7.00	9.10	13.20
9	8.00	10.10	14.20
10	9.00	11.10	15.20
11	10.00	12.10	16.20
12	11.00	13.10	17.20
13	12.00	14.10	18.20
14	13.00	15.10	19.20
15	14.00	16.10	20.20
16	15.00	17.10	21.20
17	16.00	18.10	22.20
18	17.00	19.10	23.20
19	18.00	20.10	24.20
20	19.00	21.10	25.20
21	20.00	22.10	26.20
22	21.00	23.10	27.20
23	22.00	24.10	28.20
24	23.00	25.10	29.20
25	24.00	26.10	30.20
26	25.00	27.10	31.20
27	26.00	28.10	32.20
28	27.00	29.10	33.20
29	28.00	30.10	34.20
30	29.00	31.10	35.20
31	30.00	32.10	36.20

NOTES:

- 额定电流 Current rating: 0.5A
- 额定电压 Voltage rating: 50V
- 耐电压 Withstand coltage: 500V AC/minute
- 接触电阻 Contact resistance : ≤40mΩ
- 绝缘电阻 Insulation resistance: 100MΩ MIN
- 工作温度 Working temperature: -25°C ~ +85°C
- 触点高低PIN不大于0.05mm.



DRAWN BY  
绘图  
CHECKED BY  
校对  
APPROVED BY  
核准

ITEM  
名称  
PART NO.  
料号

1.0mm P数:10 翻盖式 下接  
H2.0

ZX-FPC-FWX1.0PH210

Drawing NO.  
图号:  
DIMENSIONS  
X.X=±0.38  
X.XX=±0.20  
X.XXX=±0.05  
ANGLE<DEG>  
X.X=±5°  
X.XX=±3°  
X.XXX=±1°

UNIT  
单位  
SCALE  
比例  
SHEET  
页码

mm  
1:1  
1 OF 1

ANGLE PROJECTION  
角投影法  
TYPE.  
类型