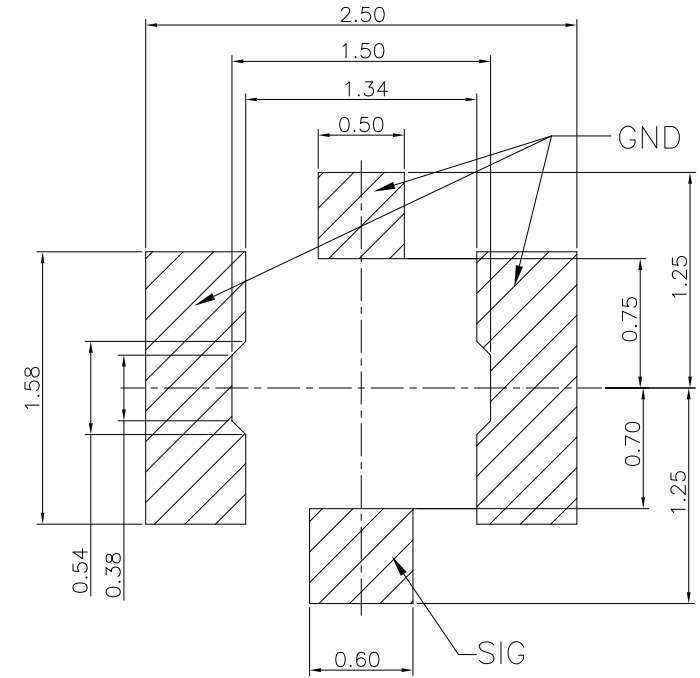
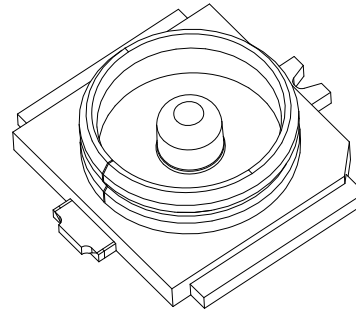
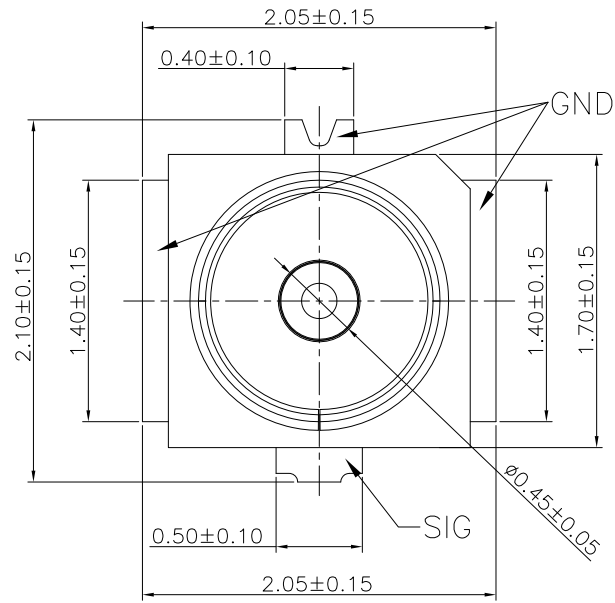


REV.	ECN NO OR DESCRIPTION	REVISED	DATE
A			



Recommended PCB Layout
(General Tolerance Is ± 0.05)

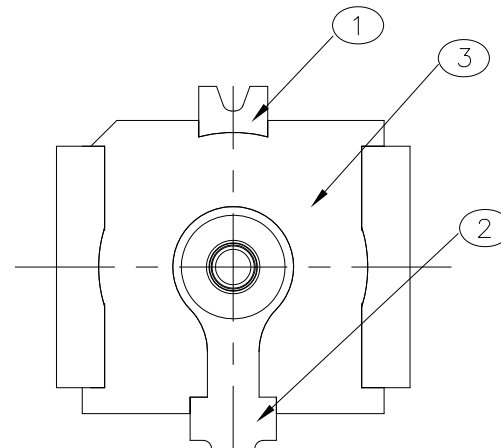
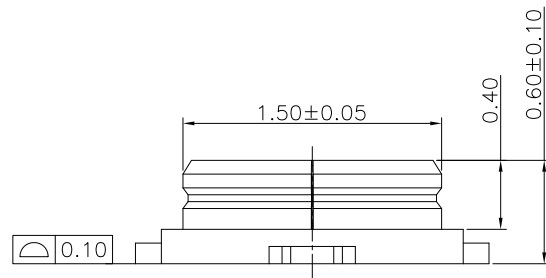
NOTE:

1. MATERIAL:

- ① 1.1. HOUSING: LCP E6808, COLOR: BLACK, UL 94V-0;
- ② 1.2. CONTACT: C2680, T=0.10mm;
- ③ 1.3. SHELL: C5191, T=0.12mm.

2. FINISH:

- 2.1. CONTACT: GOLD FLASH PLATED ON MATING AREA, GOLD FLASH ON SOLDER TAILS, 1.27um Min NICKEL PLATED UNDER OVER OF THE ALL;
- 2.2. SHELL: GOLD FLASH ON THE ALL, 1.27um Min NICKEL PLATED UNDER OVER OF THE ALL;



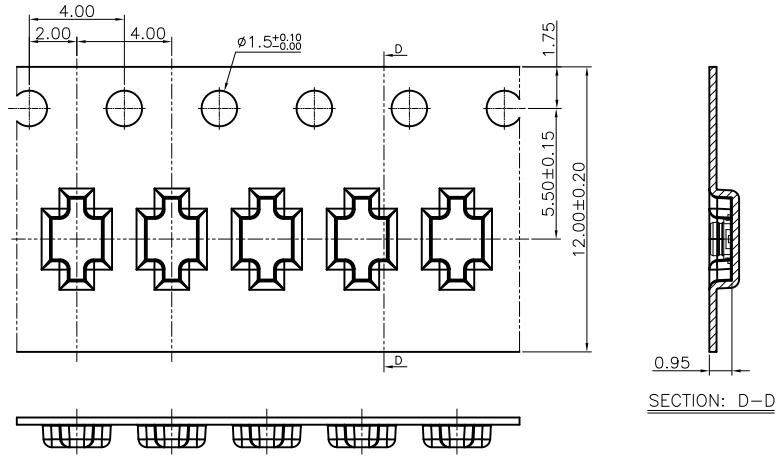
UNLESS OTHERWISE SPECIFIED TOLERANCES

DECIMALS:	ANGLES:
X : ± 0.5	X : $\pm 2^\circ$
X.X : ± 0.10	X.X : $\pm 1^\circ$
X.XX : ± 0.05	
X.XXX : ± 0.005	

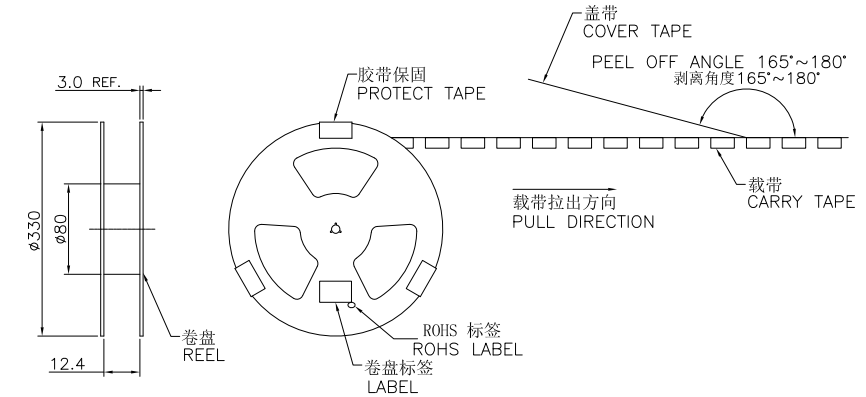
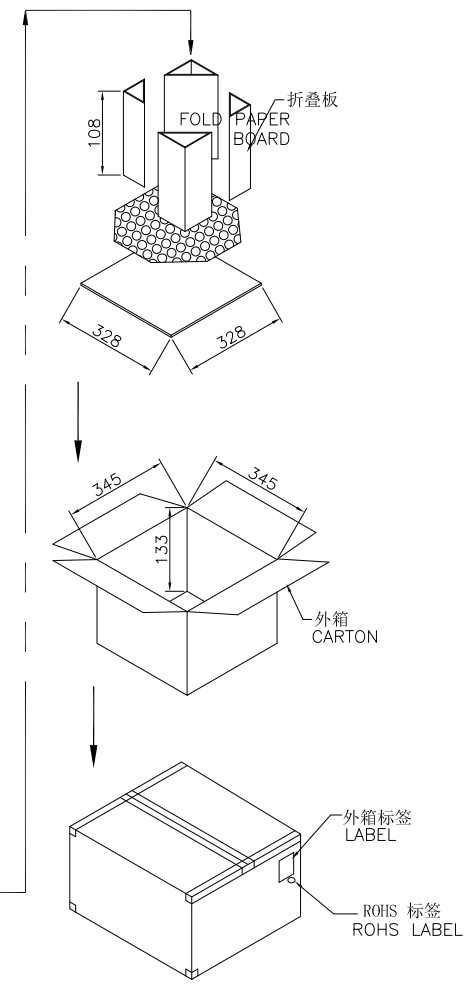
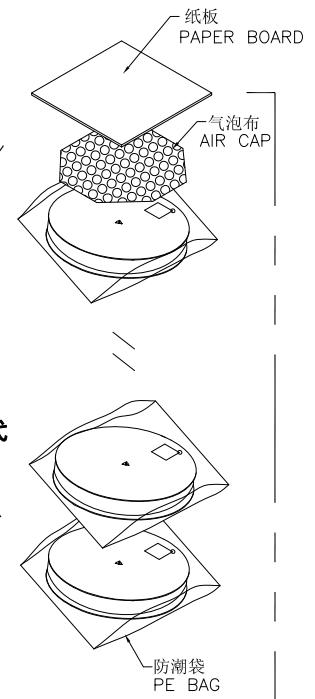
兆星精密电子 (深圳) 有限公司

TITLE	IPEX 内针 四代			
DWN	WQQ	PART NO.	ZX-RF-4-Z21.25	
CHKD	Lin R	SCALE: 1:1	UNIT: mm	
APVD	Lin L	SIZE: A4	SHEET: 1 OF 1	REV: A
CUS DWN				

REV.	ECN NO OR DESCRIPTION	REVISED	DATE
A			



ROHS
ROHS标签
ROHS LABEL



IPEX 内针 四代

1: 包装内容
INFORMATIONS OF THE PACKING

品名 (TITLE)	料号 (P/N)	一卷包装数量 Q'TY/REEL	一箱包装数量 Q'TY/CARTON
IPEX 内针 四代	ZX-RF-4-Z21.25	5000PCS	20000PCS

UNLESS OTHERWISE SPECIFIED TOLERANCES		兆星精密电子 (深圳) 有限公司			
DECIMALS:	ANGLES:	TITLE IPEX 内针 四代			
X : ±0.5	X : ±2°	DWN	WQO	PART NO. ZX-RF-4-Z21.25	
X.X : ±0.10	X.X : ±1°	CHKD	Lin R	SCALE: 1:1	UNIT: mm
X.XX : ±0.05		APVD	Lin L	SIZE: A4	SHEET: 1 OF 1
X.XXX : ±0.005		REV: A			
CUS DWN					