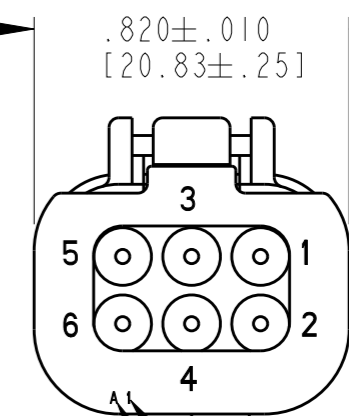
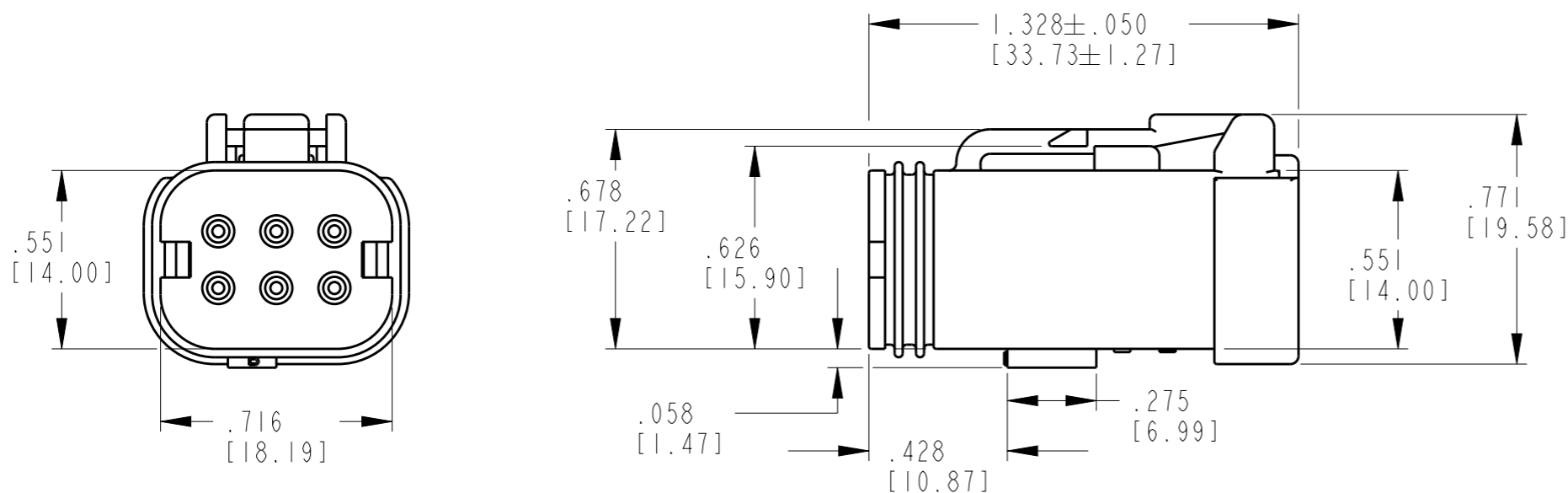


THIS DRAWING IS UNPUBLISHED
 RELEASED FOR PUBLICATION 2018
 © COPYRIGHT 2018 BY - TE CONNECTIVITY ALL RIGHTS RESERVED.

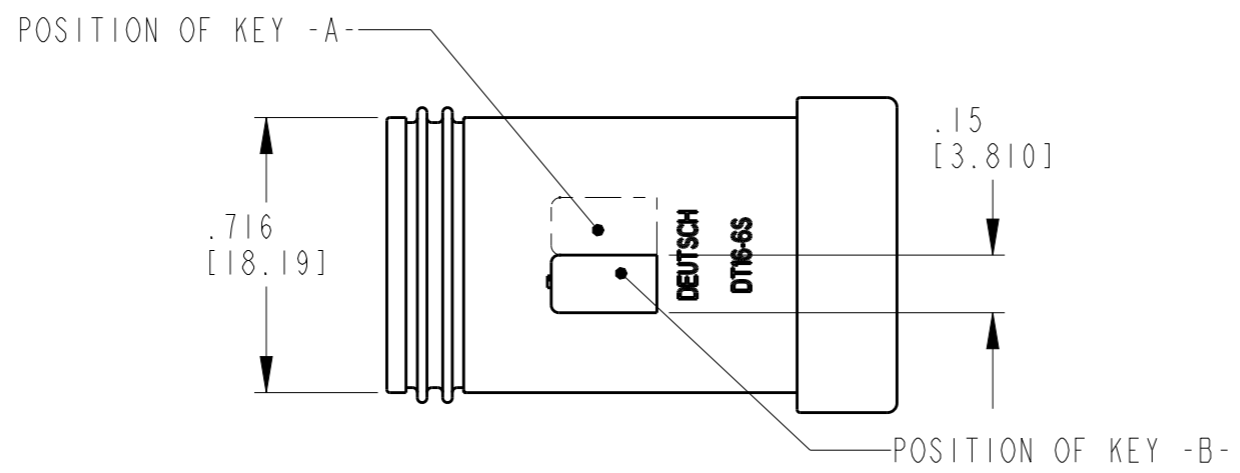
REVISIONS					
P	LTR	DESCRIPTION	DATE	DWN	APVD
C1		REVISED PER PCN E-18-010710	05JUL2018	SM	DM
C2		REVISED PER PCN E-19-010053	17JUN2019	DD	IG



DATE CODE

EXAMPLE: JANUARY
 MONTH IS REPRESENTED
 BY SEQUENTIAL ALPHA
 CHARACTERS

EXAMPLE: 2011
 YEAR IS REPRESENTED BY
 THE LAST NUMERICAL
 DIGIT



X = KEY	COLOR	TE INTERNAL PN	DEUTSCH PN
-A-	GREY	DT16-6SA-KP01	DT16-6SA-KP01
-B-	BLACK	DT16-6SB-KP01	DT16-6SB-KP01

CONTACT SIZE	MIN. INSUL. O.D.	MAX. INSUL. O.D.	WIRE RANGE [mm ²] REF ONLY
16	.053 [1.35]	.120 [3.05]	14-20 AWG [2.0-0.5]

- 4. SEE INTERFACE DRAWING DT14-6PX-K002 FOR MATING RECEPTACLE INFORMATION
- 3 MATERIAL: PLUG HOUSING: PA 66 GF15
SEALS: VMQ (ORANGE-RED)
- 2. KEY -B- SHOWN FOR REFERENCE PURPOSE ONLY.
ALL INFORMATIONS APPLY TO ALL KEY ARRANGEMENTS.
- 1 FOR CONTACT SPECIFICATION AND APPLICATION,
SEE ENVELOPE DWG. 0425-015-0000.

THIS DRAWING IS A CONTROLLED DOCUMENT.		DWN T. YOHANNES 17MAY2001	TE Connectivity	
DIMENSIONS: INCH [mm]		CHK B. BYFORD 26OCT2010		
TOLERANCES UNLESS OTHERWISE SPECIFIED:		APVD S. BEARD 11OCT2010	NAME 4 WAY PLUG HOUSING WITH 6-CAVITY INTERFACE-KP01 MOD D.T. SERIES	
0 PLC ±- 1 PLC ±- 2 PLC ±- 3 PLC ±.025[0.63] 4 PLC ±- ANGLES ±5°		PRODUCT SPEC 108-151009	SIZE A3	
MATERIAL		APPLICATION SPEC 0425-017-0000	CAGE CODE 4AFU8	DRAWING NO DT16-6SX-KP01
FINISH		WEIGHT 9 g	RESTRICTED TO -	
3		CUSTOMER DRAWING	SCALE 2:1	SHEET 1 OF 1
			REV C2	