

THIS DRAWING IS UNPUBLISHED.

RELEASED FOR PUBLICATION

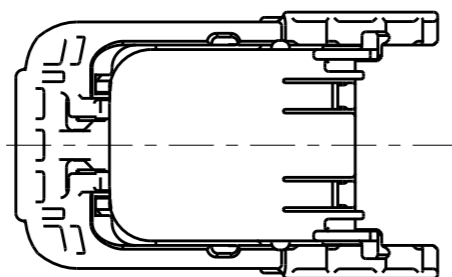
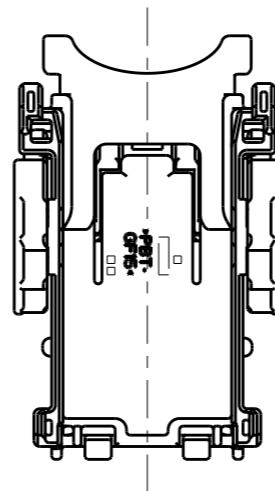
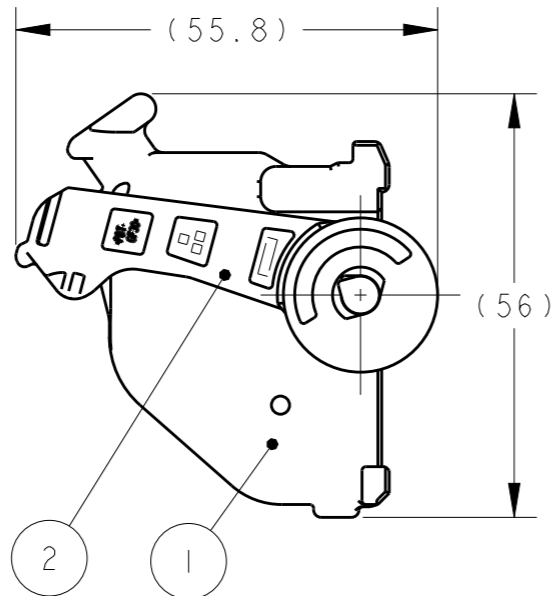
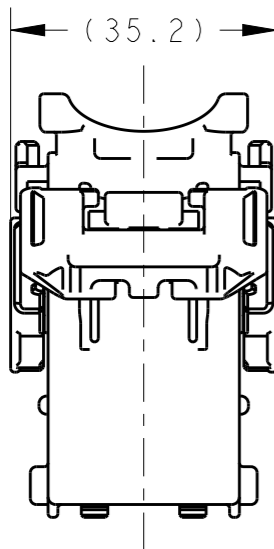
2013

© COPYRIGHT 2013 BY Tyco Electronics Japan G.K. ALL RIGHTS RESERVED.

REVISIONS

変更


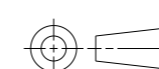
P	LTR	DESCRIPTION	DATE	DWN	APVD
	A	RELEASED	25JUN18	ES	TK



1. APPLICABLE PLUG ASSEMBLY : 2304106-1
 2. THIS PRODUCT IS SETUPED INTO PLUG ASSEMBLY BY CUSTOMER.

1. 組立相手プラグアセンブリ型番: 2304106-1
 2. 本製品は顧客にてプラグアセンブリと組立られる

1	GRAY	PBT GF	LEVER	2
1	BLACK	PBT GF	WIRE COVER	1
2303837-1	COLOR	MATERIAL	NAME	NO

THIS DRAWING IS A CONTROLLED DOCUMENT.		DWN E. SASAKI 25JUN18	 TE Connectivity				
DIMENSIONS: 単位: 概 mm		CHK S. IWATANI 25JUN18					
		APVD T. KIMURA 25JUN18	NAME 名称 WIRE COVER ASSY 72POS TYPE2 SEALED 0.5/1.0/2.8 186POS SERIES カバーアセンブリ72極タイプ2, 防水0.5/1.0/2.8 186極				
TOLERANCES UNLESS OTHERWISE SPECIFIED: 一般公差 ±0.3 0-PLC ± 1-PLC ±0.5 2-PLC ±0.13 3-PLC ±0.013 4-PLC ±0.0001 ANGLES ±3' 00"		PRODUCT SPEC 製品規格 108-140090-1	SIZE A3	CAGE CODE 00779	DRAWING NO C=2303837	RESTRICTED TO	
MATERIAL 材料 SEE TABLE		FINISH 仕上 SEE TABLE	WEIGHT 21.0 g	SCALE 尺度 1:1	SHEET 1	OF 1	REV A
CUSTOMER DRAWING							