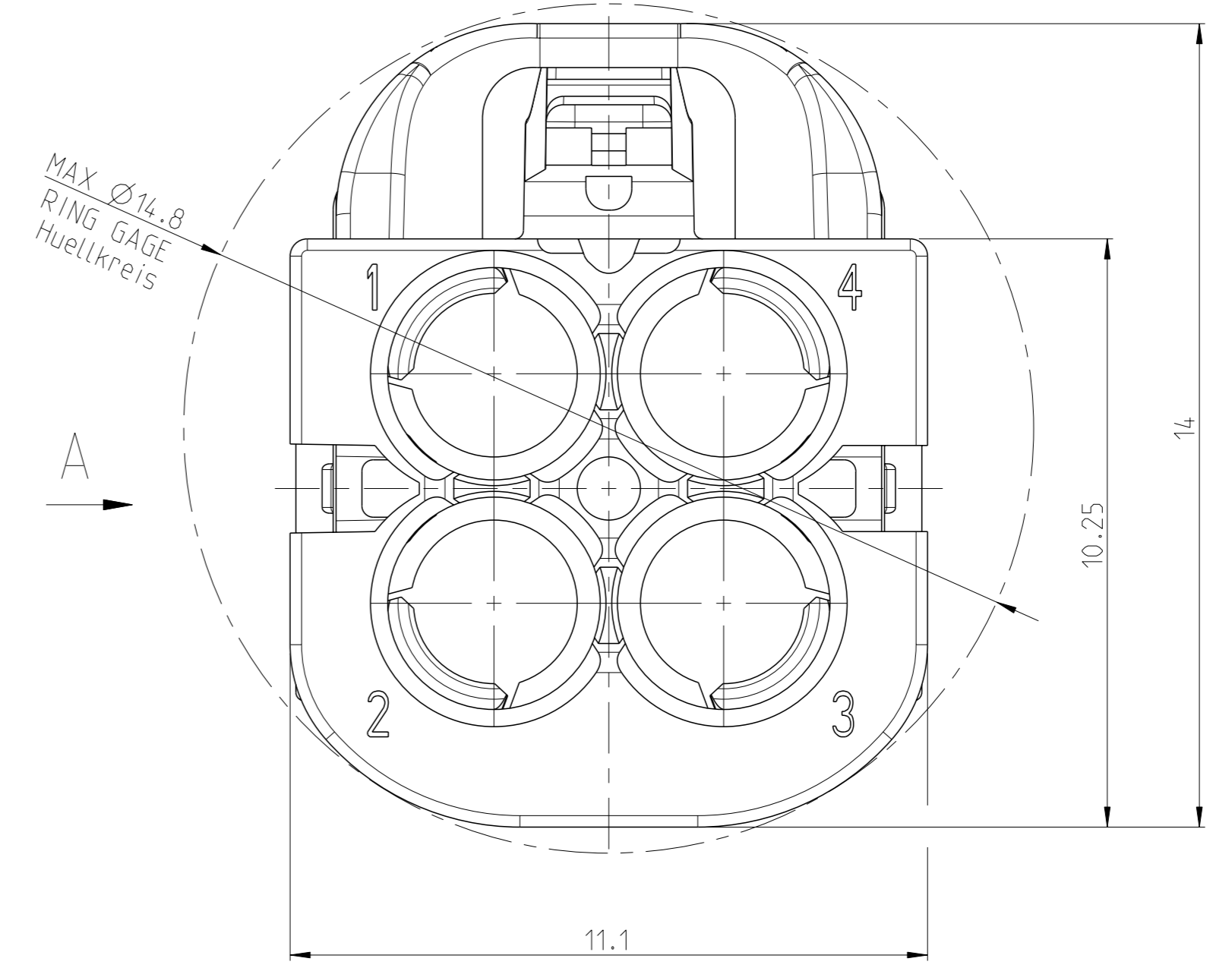
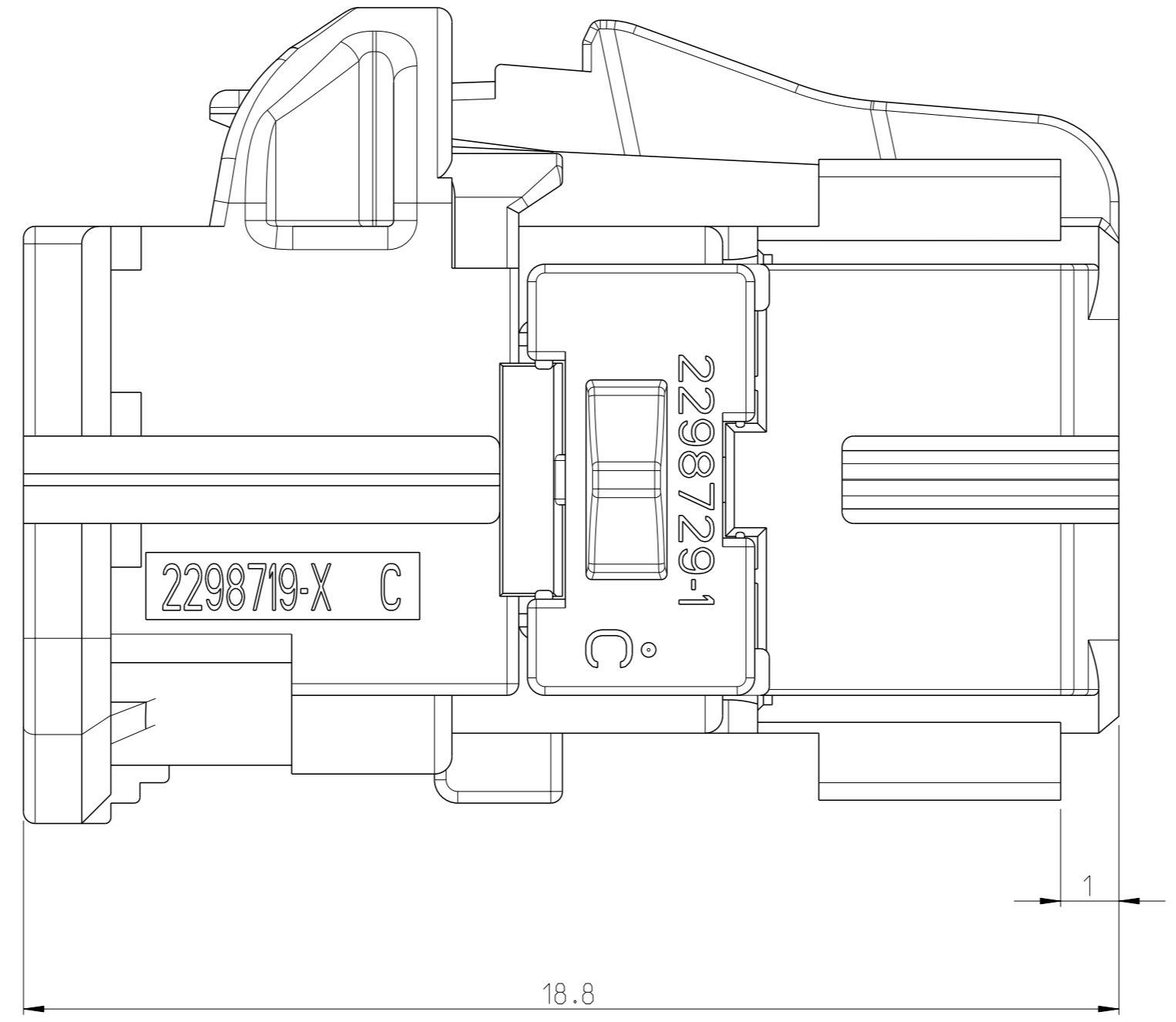
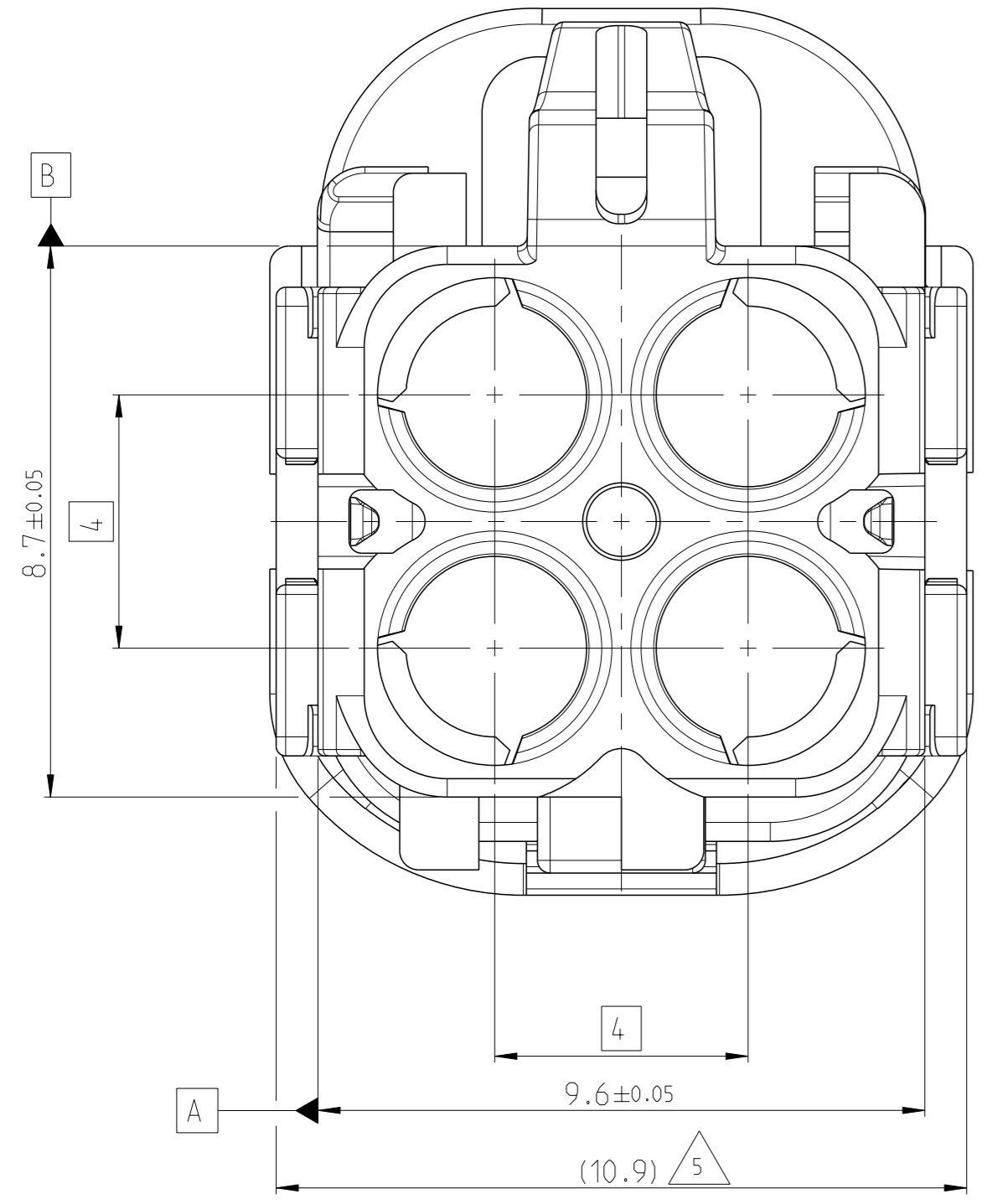
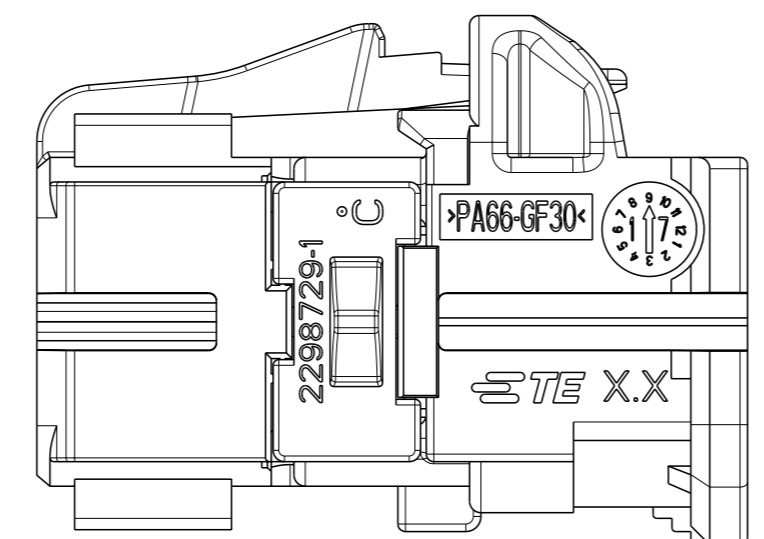


| REVISIONS | | | | | |
|-----------|-----|---|-------------|-----|------|
| # | CTH | DESCRIPTION | DATE | OWN | APVD |
| C1 | | Drawing update see index | 27 JUN 2018 | GB | CS |
| C2 | | View coding Z corrected | 02 JUL 2018 | GB | CS |
| C3 | | See change index C3 | 06 FEB 2020 | GB | CS |
| C4 | | Non CPA and CPA versions on sheet 2 and 3 | 2 MAY 2021 | VS | CS |

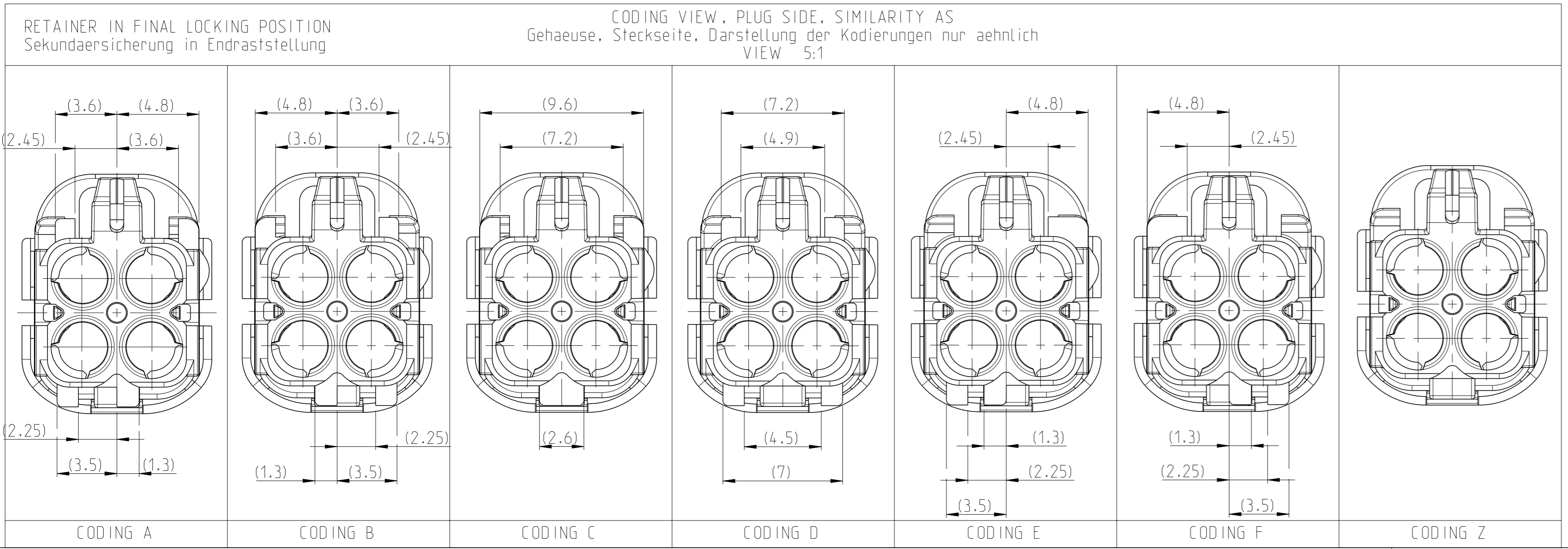
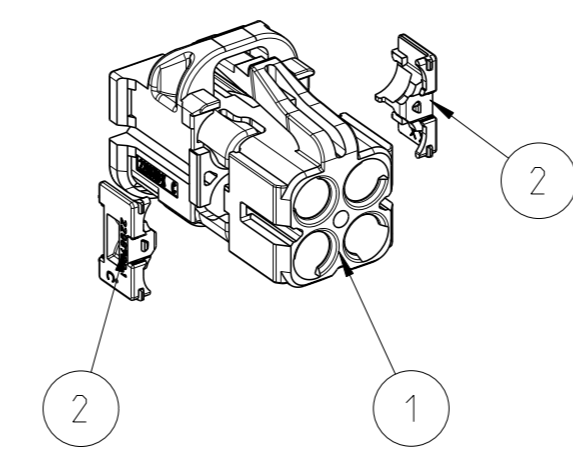


- 1 ONLY THE GERMAN LANGUAGE SHALL BE BINDING
Massgebend ist der deutsche Text
- 2 DETAILS OF DESIGN ARE LEFT TO TE CONNECTIVITY
Einzelheiten der Ausfuehrung bleiben TE CONNECTIVITY ueberlassen
- 3 PACKAGING: BULK IN PLASTIC BAG IN CARDBOARD BOX
Verpackung: Schuetttgut in Kunststoffbeutel in Karton
- 4 TE ORDER NO. 2298721-1 CODING A AS SHOWN
TE-Bestellnummer 2298721-1 Kodierung A wie dargestellt
- 5 Retainer and CPA in pre-locking position
Sekundaerriegelung und CPA in Vorraststellung
- 6 MATCHING TO CONTACT TE NO. 2298488 AND 2298510
Passend zu Kontakt TE-Nr. 2298488 und 2298510
- 7 CONFECTION TESTS COMBINED WITH CONTACT LEADS ARE TO BE MADE WITH
RF-ADAPTER 1-523216-0
Konfektionspruefungen in Verbindung mit Leitungen sind durchzufuehren mit
HF-Adapter 1-523216-0

VIEW A



VIEW 3D EXPLODED 2:1



| TE ORDER NO. | COD. | REV. | QTY. | DESCRIPTION | MATERIAL | COLOR / SIMILAR RAL | WEIGHT (g) | POS. |
|--------------|------|------|------|-------------|-----------|-----------------------|------------|------|
| 2298721-9 | Z | C | 2 | RETAINER | PA66-GF30 | TRAFFIC PURPLE / 4006 | 1.1 | 2 |
| | | | 1 | HOUSING | PA66-GF30 | WATER BLUE / 5021 | | 1 |
| 2298721-6 | F | C | 2 | RETAINER | PA66-GF30 | TRAFFIC PURPLE / 4006 | 1.1 | 2 |
| | | | 1 | HOUSING | PA66-GF30 | NUT BROWN / 8011 | | 1 |
| 2298721-5 | E | C | 2 | RETAINER | PA66-GF30 | TRAFFIC PURPLE / 4006 | 1.1 | 2 |
| | | | 1 | HOUSING | PA66-GF30 | MAY GREEN / 6017 | | 1 |
| 2298721-4 | D | C | 2 | RETAINER | PA66-GF30 | TRAFFIC PURPLE / 4006 | 1.1 | 2 |
| | | | 1 | HOUSING | PA66-GF30 | CLARET VIOLET / 4004 | | 1 |
| 2298721-3 | C | C | 2 | RETAINER | PA66-GF30 | TRAFFIC PURPLE / 4006 | 1.1 | 2 |
| | | | 1 | HOUSING | PA66-GF30 | LIGHT BLUE / 5012 | | 1 |
| 2298721-2 | B | C | 2 | RETAINER | PA66-GF30 | TRAFFIC PURPLE / 4006 | 1.1 | 2 |
| | | | 1 | HOUSING | PA66-GF30 | PURE WHITE / 9010 | | 1 |
| 2298721-1 | A | C | 2 | RETAINER | PA66-GF30 | TRAFFIC PURPLE / 4006 | 1.1 | 2 |
| | | | 1 | HOUSING | PA66-GF30 | JET BLACK / 9005 | | 1 |

THIS DRAWING IS A CONTROLLED DOCUMENT. DWG: G. van de Burch 03JUL2016
 C. Schrettlinger 17OCT2016
 W. Mueller 21OCT2016

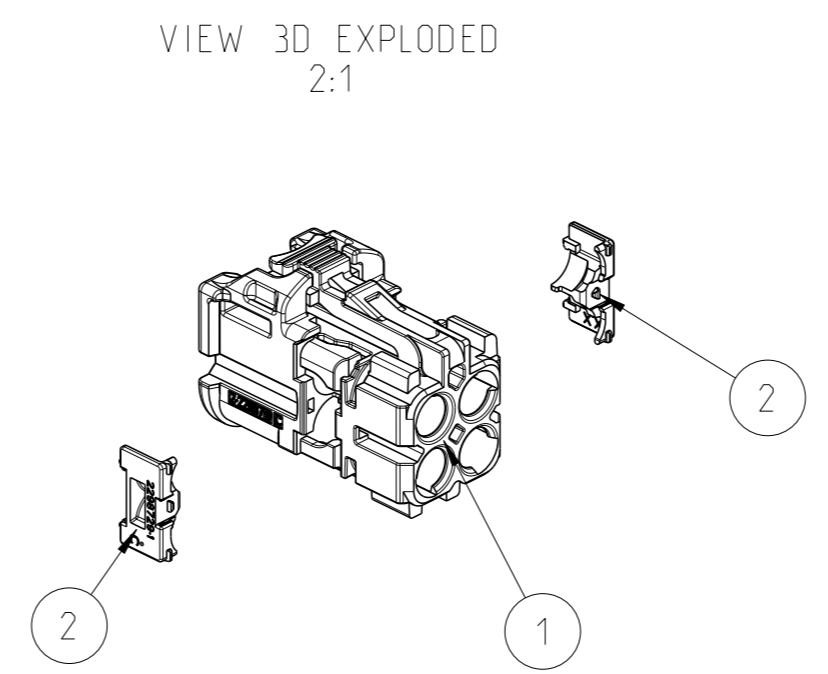
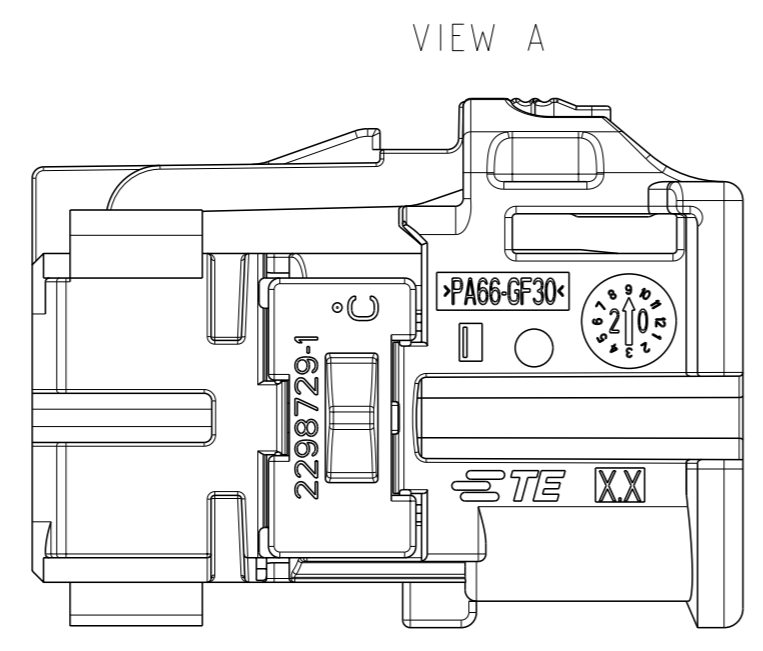
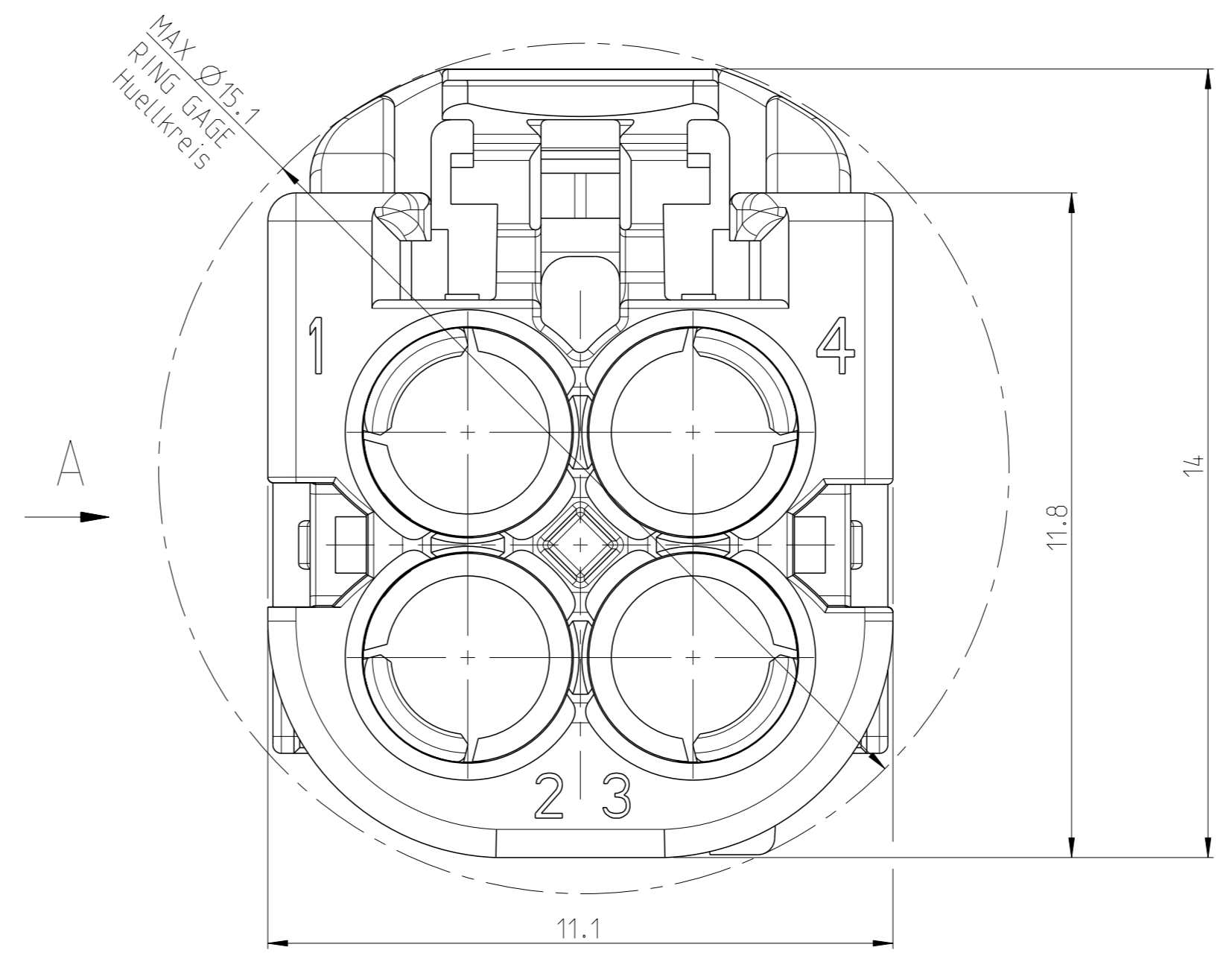
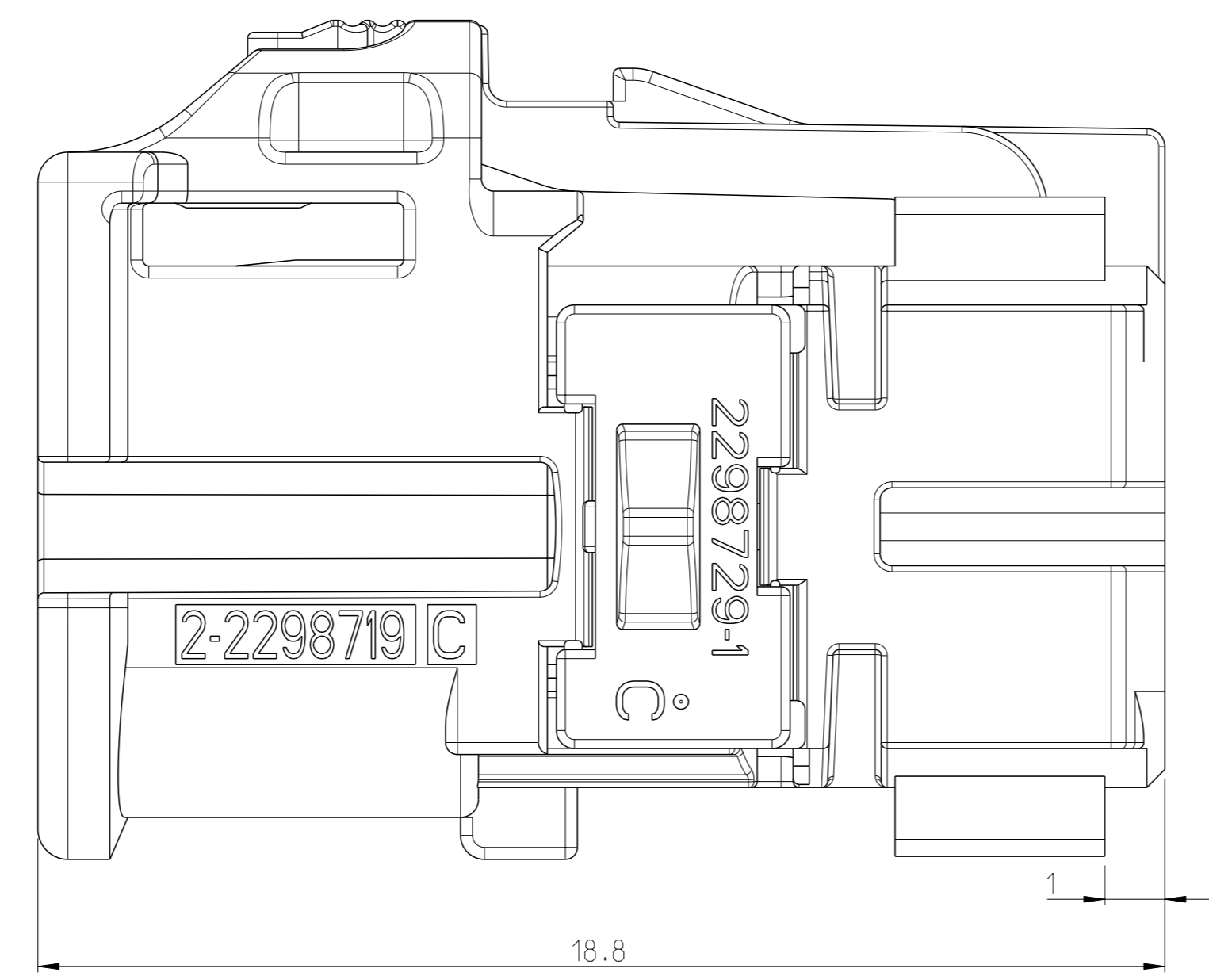
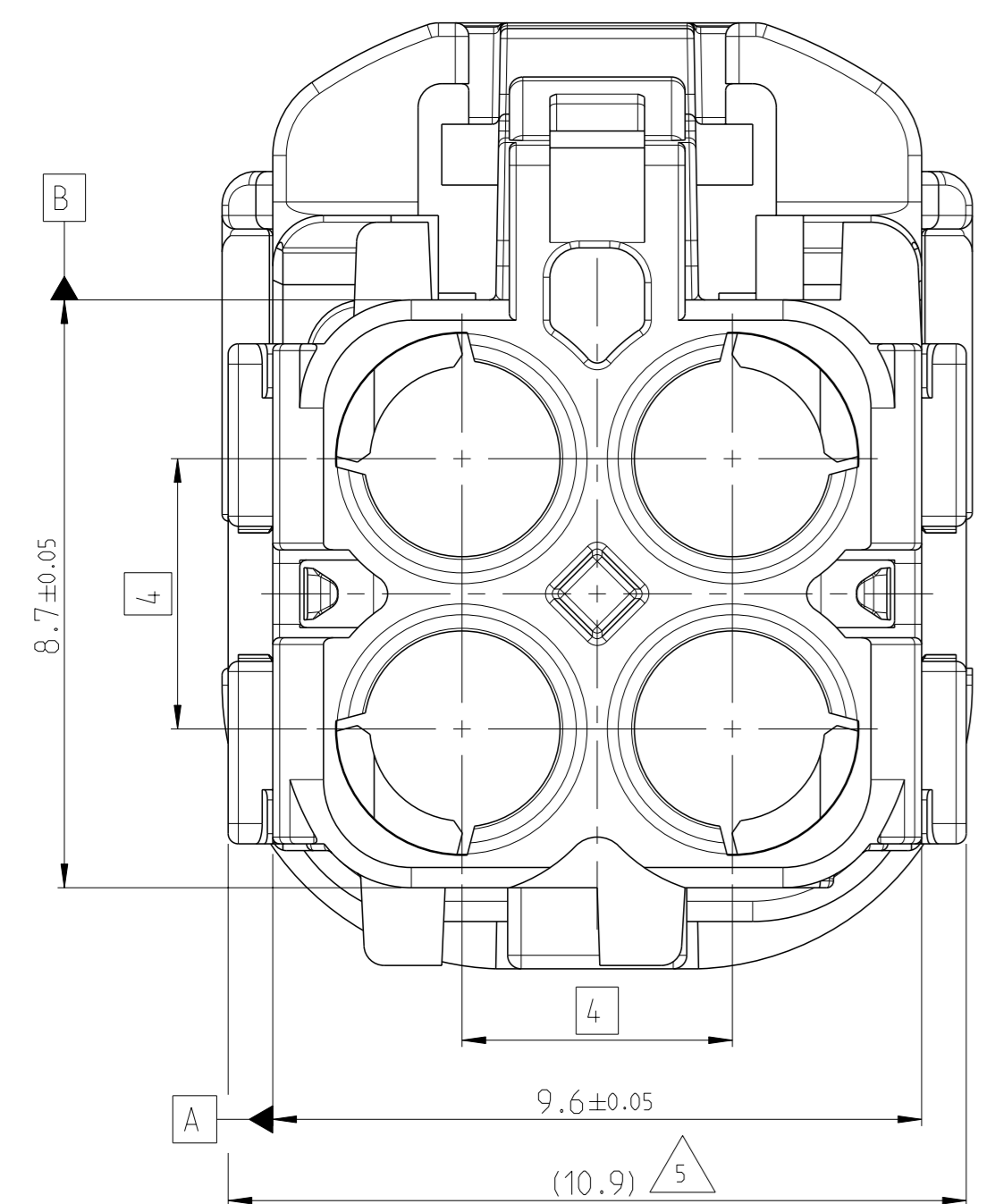
DIMENSIONS: mm TOLERANCES UNLESS OTHERWISE SPECIFIED:
 0 PLC ±0.2
 1 PLC ±0.2
 2 PLC ±0.2
 3 PLC ±0.2
 4 PLC ±0.2
 ANGLES ±0.1°

MATERIAL: SEE TABLE
 FINISH: -
 WEIGHT: -
 CUSTOMER DRAWING

NAME: 4POS.MATE-AX.SOC HSG ASSY.180DEG
 4pol.MATE-AX.Buchsengeh Zsb.180Grad

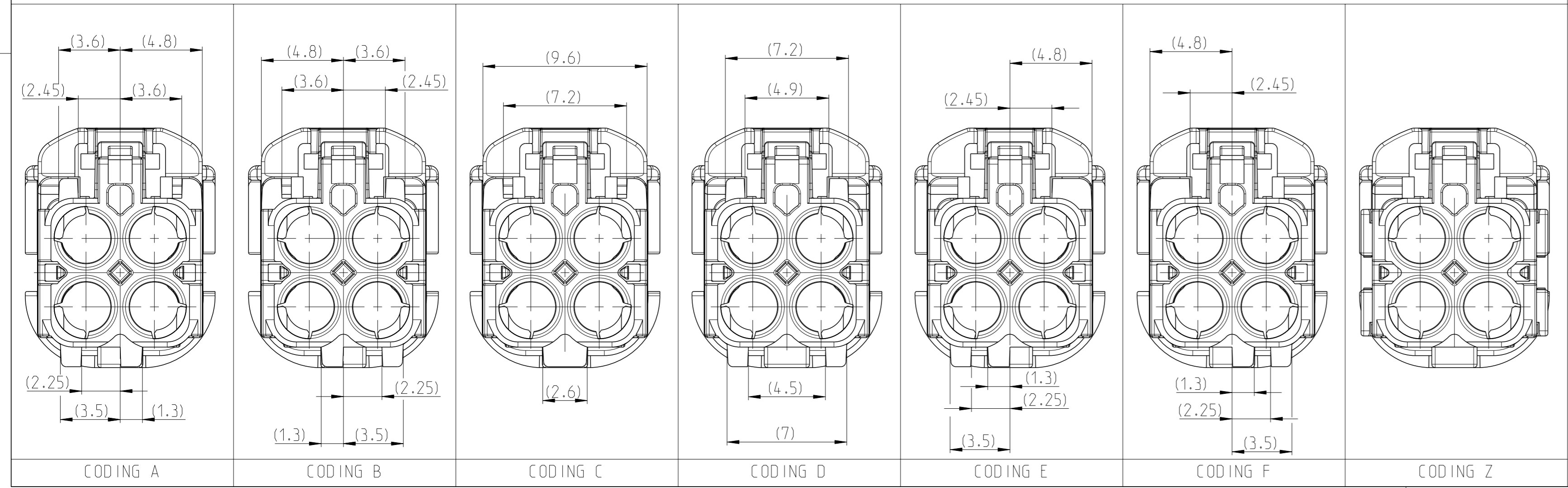
SIZE: A1 CAGE CODE: - DRAWING NO: - RESTRICTED TO: -
 SCALE: 10:1 SHEET: 1 OF 3 REV: C4

| REVISIONS | | | | |
|-----------|-----|-------------|------|------------|
| P. | LYR | DESCRIPTION | DATE | OWN / APVD |
| - | - | SEE SHEET 1 | - | - |



TE ORDER NO. 1-2298721-1 CODING A AS SHOWN
 TE-Bestellnummer 1-2298721-1 Kodierung A wie dargestellt

CODING VIEW, PLUG SIDE, SIMILARITY AS
 Gehäuse, Steckseite, Darstellung der Kodierungen nur aehnlich
 VIEW 5:1



| TE ORDER NO. | COD. | REV. | QTY. | DESCRIPTION | MATERIAL | COLOUR / SIMILAR RAL | WEIGHT (g) | POS. |
|--------------|------|------|------|-------------|-----------|-----------------------|------------|------|
| 1-2298721-9 | Z | C | 2 | RETAINER | PA66-GF30 | TRAFFIC PURPLE / 4006 | 1.07 | 2 |
| | | | 1 | HOUSING | PA66-GF30 | WATER BLUE / 5021 | 1.07 | 1 |
| 1-2298721-6 | F | C | 2 | RETAINER | PA66-GF30 | TRAFFIC PURPLE / 4006 | 1.07 | 2 |
| | | | 1 | HOUSING | PA66-GF30 | NUT BROWN / 8011 | 1.07 | 1 |
| 1-2298721-5 | E | C | 2 | RETAINER | PA66-GF30 | TRAFFIC PURPLE / 4006 | 1.07 | 2 |
| | | | 1 | HOUSING | PA66-GF30 | MAY GREEN / 6017 | 1.07 | 1 |
| 1-2298721-4 | D | C | 2 | RETAINER | PA66-GF30 | TRAFFIC PURPLE / 4006 | 1.07 | 2 |
| | | | 1 | HOUSING | PA66-GF30 | CLARET VIOLET / 4004 | 1.07 | 1 |
| 1-2298721-3 | C | C | 2 | RETAINER | PA66-GF30 | TRAFFIC PURPLE / 4006 | 1.07 | 2 |
| | | | 1 | HOUSING | PA66-GF30 | LIGHT BLUE / 5012 | 1.07 | 1 |
| 1-2298721-2 | B | C | 2 | RETAINER | PA66-GF30 | TRAFFIC PURPLE / 4006 | 1.07 | 2 |
| | | | 1 | HOUSING | PA66-GF30 | PURE WHITE / 9010 | 1.07 | 1 |
| 1-2298721-1 | A | C | 2 | RETAINER | PA66-GF30 | TRAFFIC PURPLE / 4006 | 1.07 | 2 |
| | | | 1 | HOUSING | PA66-GF30 | JET BLACK / 9005 | 1.07 | 1 |

THIS DRAWING IS A CONTROLLED DOCUMENT. DWN: G. van de Burch, 03JCT2016
 CHK: C. Schrettlinger, 17OCT2016
 APVD: W. Mueller, 21OCT2016

TE TE Connectivity

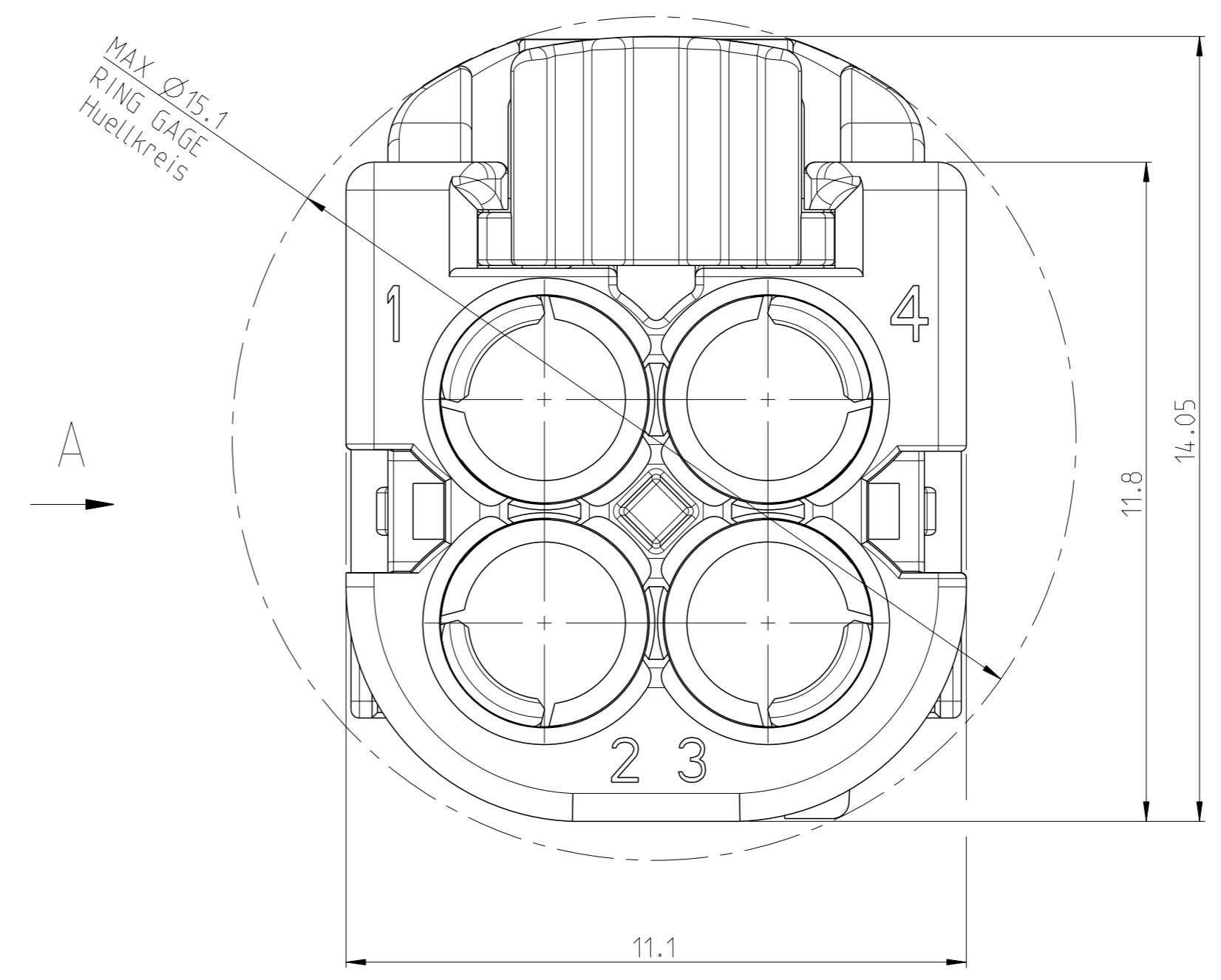
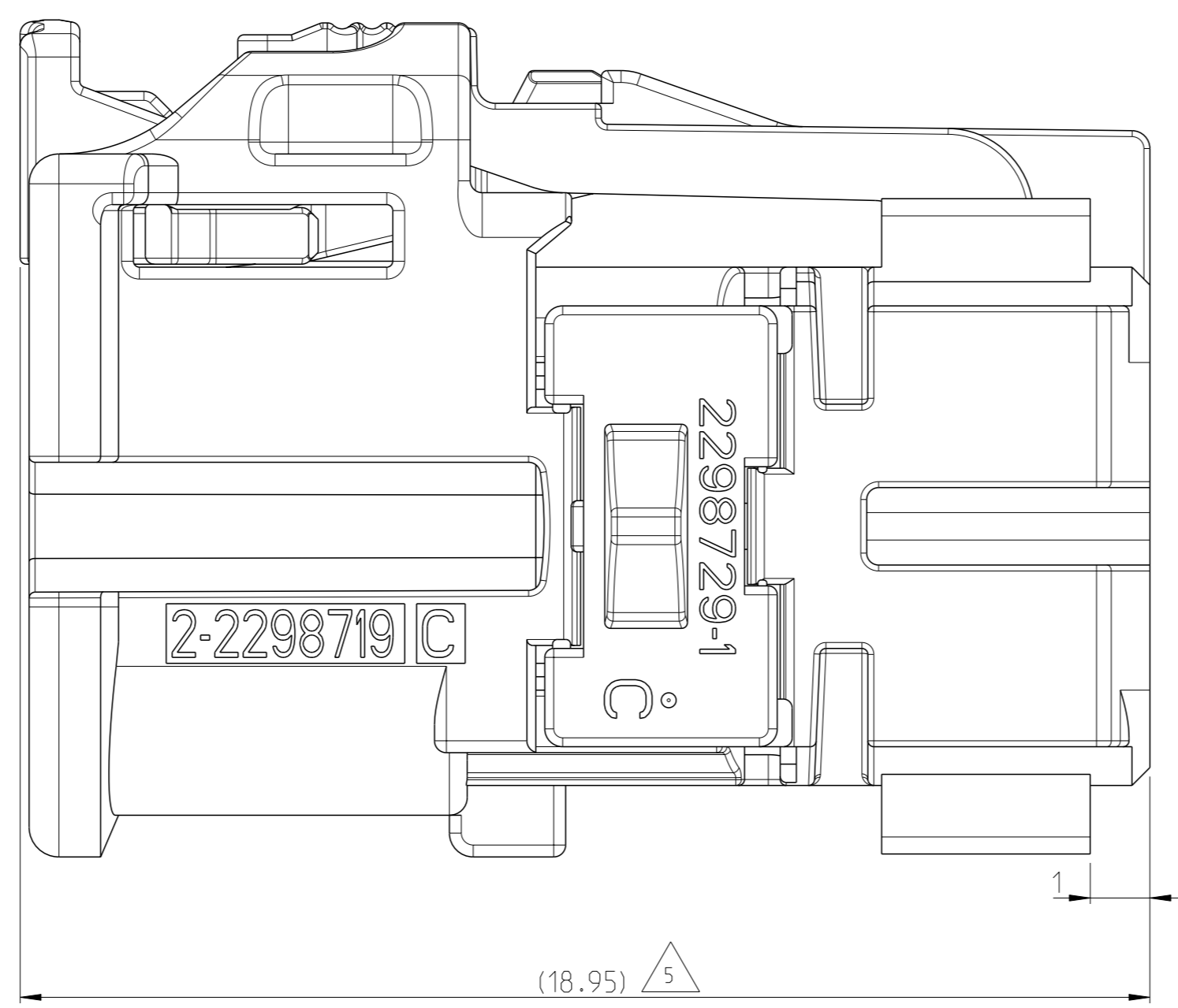
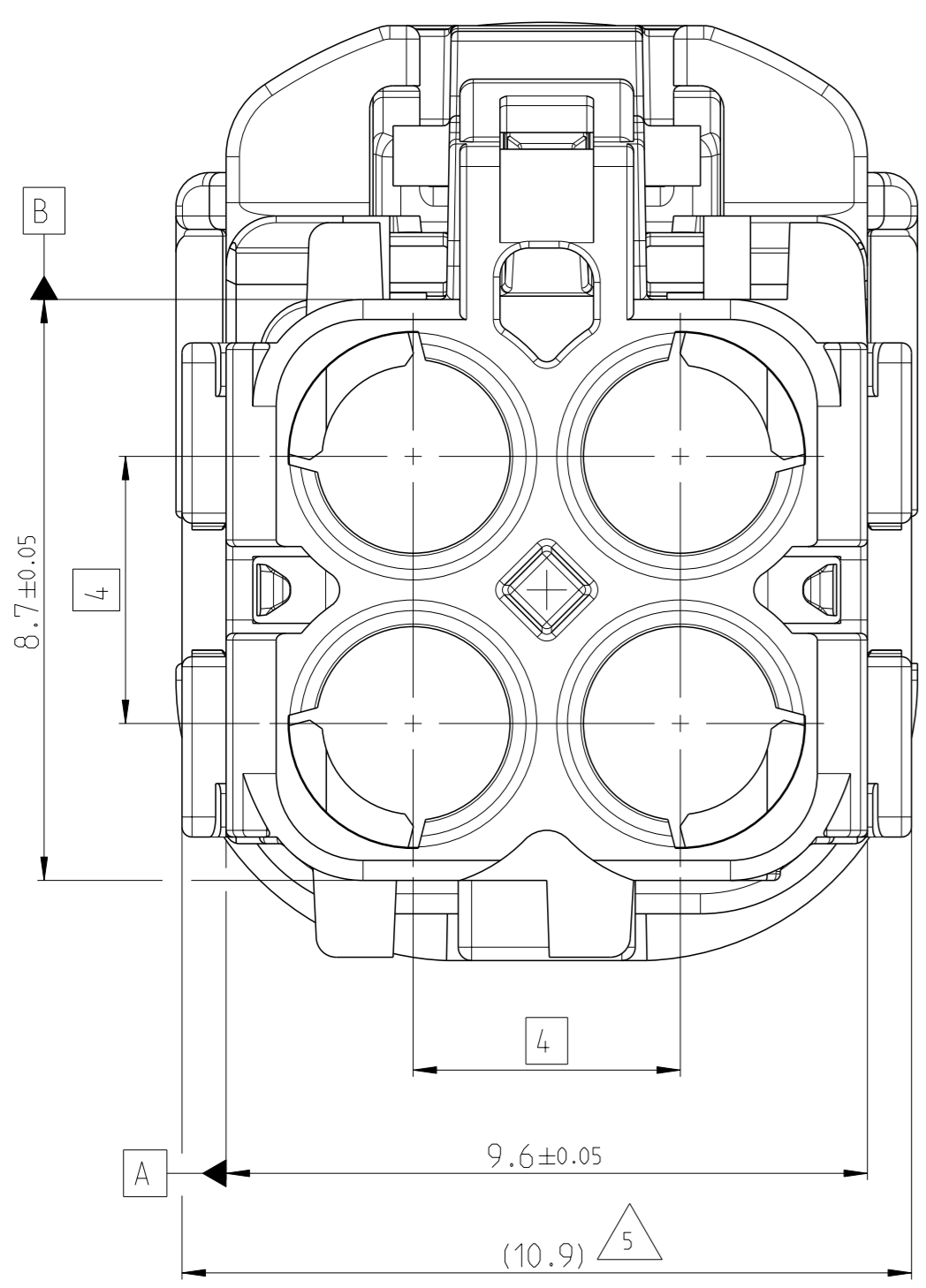
NAME: 4POS.MATE-AX.SOC HSG ASSY.180DEG
 4pol.MATE-AX.Buchsengeh Zsb.180Grad

PRODUCT SPEC: 108-94709
 APPLICATION SPEC: 114-94468

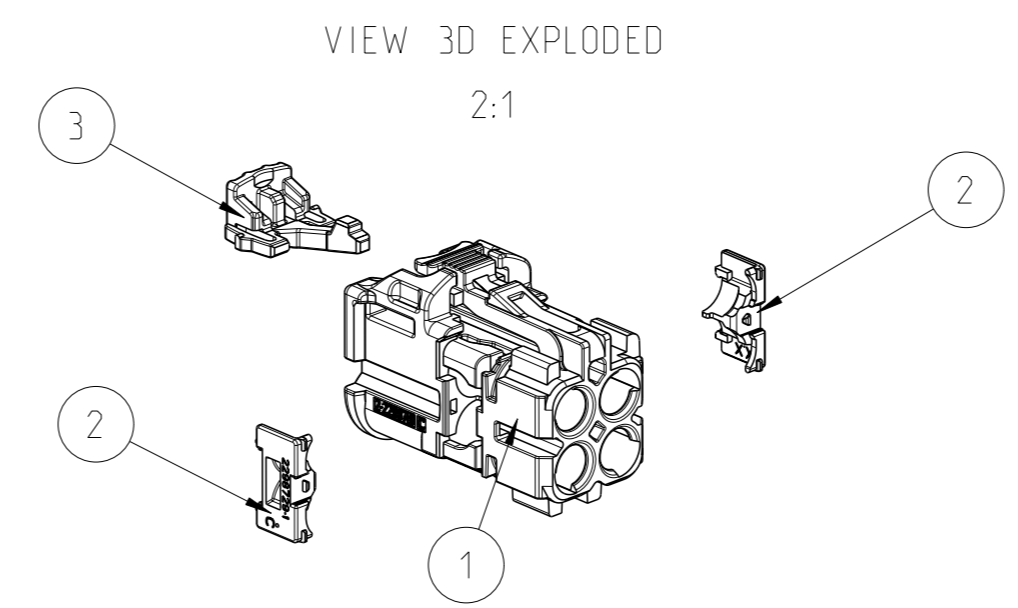
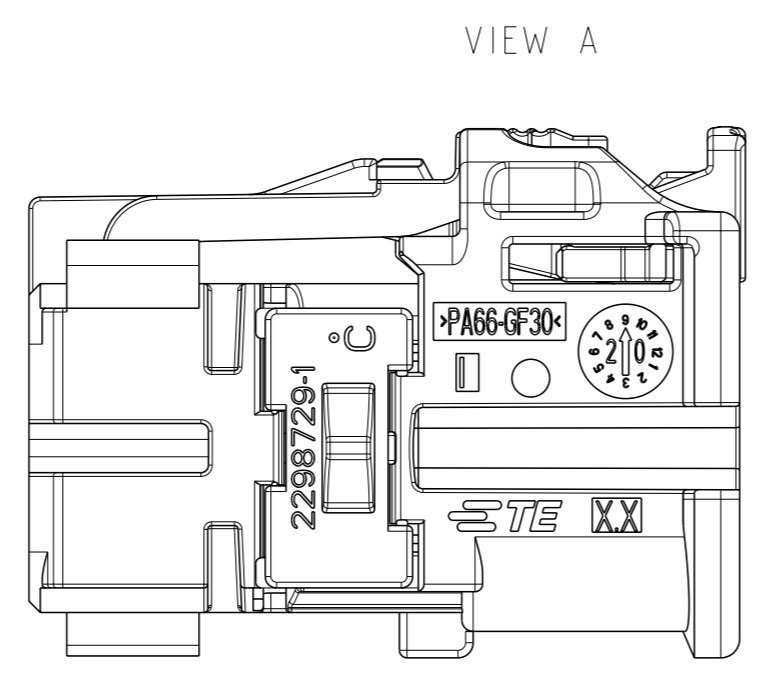
SIZE: A1 CAGE CODE: - DRAWING NO: C=2298721 RESTRICTED TO: -
 SCALE: 10:1 SHEET: 2 OF 3 REV: C4

MATERIAL: SEE TABLE FINISH: - WEIGHT: - CUSTOMER DRAWING

| REVISIONS | | | | |
|-----------|-----|-------------|------|------|
| # | LY# | DESCRIPTION | DATE | APPV |
| - | - | SEE SHEET 1 | - | - |

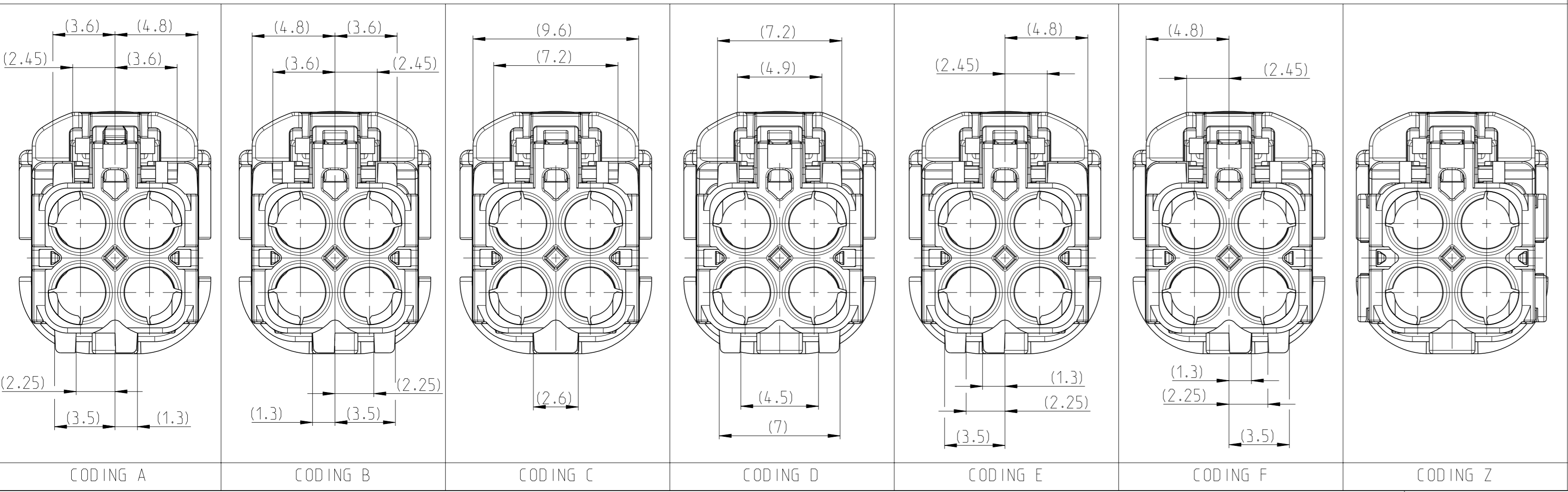


TE ORDER NO. 2-2298721-1 CODING A AS SHOWN
 TE-Bestellnummer 2-2298721-1 Kodierung A wie dargestellt



RETAINER IN FINAL LOCKING POSITION
 Sekundaersicherung in Endraststellung

CODING VIEW, PLUG SIDE, SIMILARITY AS
 Gehäuse, Steckseite, Darstellung der Kodierungen nur aehnlich
 VIEW 5:1



| TE ORDER NO. | COD. | REV. | QTY. | DESCRIPTION | MATERIAL | COLOUR / SIMILAR RAL | WEIGHT (g) | POS. |
|--------------|------|------|------|-------------|-----------|-----------------------|------------|------|
| 2-2298721-9 | Z | C | 1 | CPA | PA66-GF30 | RED/3020 | 1.18 | 3 |
| | | | 2 | RETAINER | PA66-GF30 | TRAFFIC PURPLE / 4006 | | 2 |
| | | | 1 | HOUSING | PA66-GF30 | WATER BLUE / 5021 | | 1 |
| 2-2298721-6 | F | C | 1 | CPA | PA66-GF30 | RED/3020 | 1.18 | 3 |
| | | | 2 | RETAINER | PA66-GF30 | TRAFFIC PURPLE / 4006 | | 2 |
| | | | 1 | HOUSING | PA66-GF30 | NUT BROWN / 8011 | | 1 |
| 2-2298721-5 | E | C | 1 | CPA | PA66-GF30 | RED/3020 | 1.18 | 3 |
| | | | 2 | RETAINER | PA66-GF30 | TRAFFIC PURPLE / 4006 | | 2 |
| | | | 1 | HOUSING | PA66-GF30 | MAY GREEN / 6017 | | 1 |
| 2-2298721-4 | D | C | 1 | CPA | PA66-GF30 | RED/3020 | 1.18 | 3 |
| | | | 2 | RETAINER | PA66-GF30 | TRAFFIC PURPLE / 4006 | | 2 |
| | | | 1 | HOUSING | PA66-GF30 | CLARET VIOLET / 4004 | | 1 |
| 2-2298721-3 | C | C | 1 | CPA | PA66-GF30 | RED/3020 | 1.18 | 3 |
| | | | 2 | RETAINER | PA66-GF30 | TRAFFIC PURPLE / 4006 | | 2 |
| | | | 1 | HOUSING | PA66-GF30 | LIGHT BLUE / 5012 | | 1 |
| 2-2298721-2 | B | C | 1 | CPA | PA66-GF30 | RED/3020 | 1.18 | 3 |
| | | | 2 | RETAINER | PA66-GF30 | TRAFFIC PURPLE / 4006 | | 2 |
| | | | 1 | HOUSING | PA66-GF30 | PURE WHITE / 9010 | | 1 |
| 2-2298721-1 | A | C | 1 | CPA | PA66-GF30 | RED/3020 | 1.18 | 3 |
| | | | 2 | RETAINER | PA66-GF30 | TRAFFIC PURPLE / 4006 | | 2 |
| | | | 1 | HOUSING | PA66-GF30 | JET BLACK / 9005 | | 1 |

| | | | |
|--|--|---|-----------|
| THIS DRAWING IS A CONTROLLED DOCUMENT. | | OWN: G. van de Burch | 03JCT2016 |
| DIMENSIONS: mm | | CHK: C. Schrettlinger | 17OCT2016 |
| TOLERANCES UNLESS OTHERWISE SPECIFIED: | | APVD: W. Mueller | 21OCT2016 |
| 0 PLC ±0.2 | | NAME: 4POS.MATE-AX.SOC HSG ASSY.180DEG | |
| 2 PLC ±0.2 | | PRODUCT SPEC: 4pol.MATE-AX.Buchsengeh Zsb.180Grad | |
| 3 PLC ±0.2 | | APPLICATION SPEC: 108-94.709 | |
| 4 PLC ± | | SIZE: 114-94.668 | |
| ANGLES: ± | | SCALE: 10:1 | |
| FINISH: ± | | SHEET: 3 of 3 | |
| MATERIAL: SEE TABLE | | WEIGHT: - | REV: 4 |
| SEE TABLE | | CUSTOMER DRAWING | |