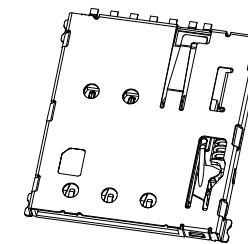
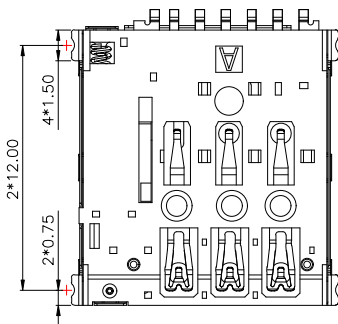
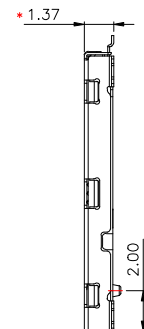
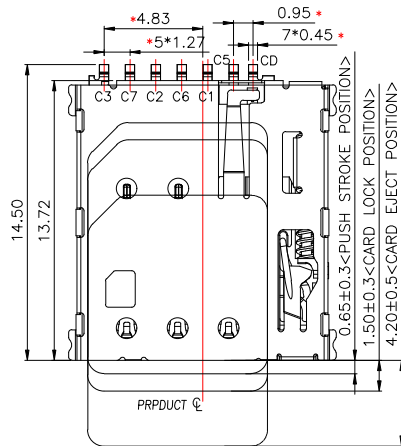
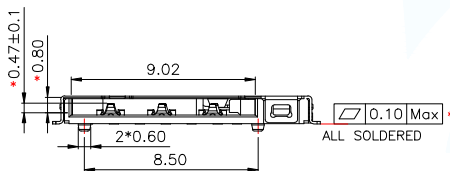


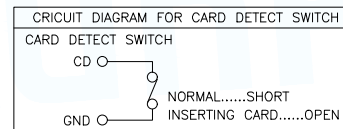
MAPX	MODIFICATION	DATE	DRAW	APPROVE



3D_VIEW

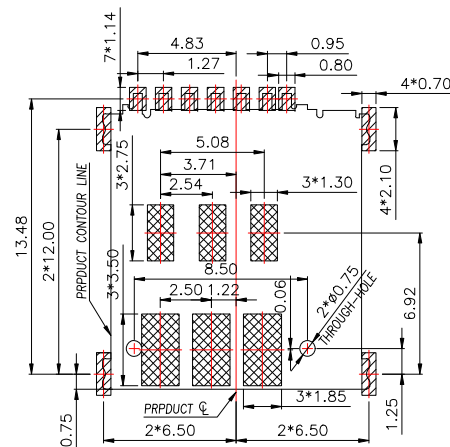
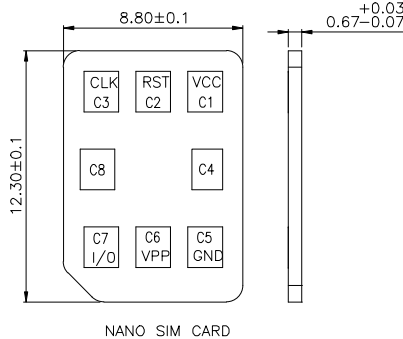


PIIN/NO	ASSIGNMENT
C1	VCC
C2	RST
C3	CLK
CD	Detect Switch
C5	GND
C6	VPP
C7	I/O



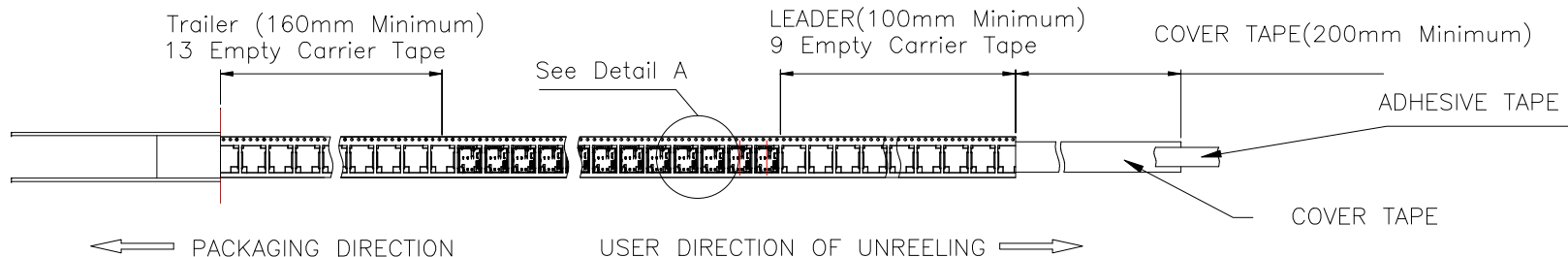
NOTES:

- MATERIAL:
HOUSING: High Temperature Thermoplastic
Terminal:Copper Alloy
Shell: Stainless Steel
- PLATING:
Terminal:50u" Ni UNDERPLATED OVERALL
G/F PLATED ON CONTACT AREA AND SOLDER AREA
Shell:30u" Ni UNDERPLATED OVERALL
G/F PLATED ON CONTACT AREA AND SOLDER AREA
- TECHNICAL SPECIALITY:
RATED VOLTAGE: 30V AC MAX.
CURRENT RATING: 0.5A MAX.
INSULATION RESISTANCE:1000MΩ MIN
CONTACT REISTANCE:50mΩ MAX
WITHSTANDING VOLTAGE: 500V AC FOR 1 MINUTES
OPERATING TEMPERATURE:
-25℃~+85℃ Humidity 80% R.H MAX
- DIMENSIONS WITH MARK " * "MUST BE MEASURE BY QC AND IPQC

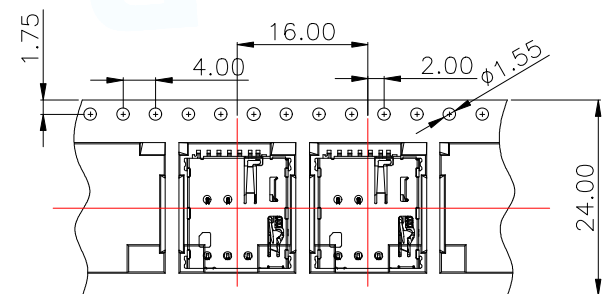
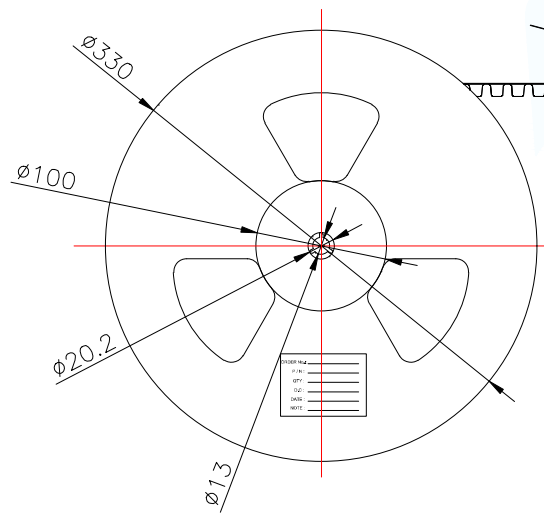


Legend:
 SMT SOLDER AREA
 NO PATTERN AND VIA HOLE IN HTIS AREA

MANUFACTURE DWG			东莞市讯普电子科技有限公司 DongGuan XunPu Electronics Co.,Ltd	
UNLESS OTHERWISE SPECIFIED TOLERANCES			TITLE:NANO SIM CARD 1.37H PUSH PUSH 有桩	
DECIMALS:	ANGLES:	PAR	SMN-303	
X.:±0.35	X'.:±2°	DWN		
.X:±0.15	.X':±1°	CHKD		
.XX:±0.10	.XX':±0.5°	APVD		
CUSTOMER COPY		SCALE1:1	UNIT:MM	
		SIZE:A4	SHEET:1F1	REV:A



COVER TAPE PEELING ANGLE: 165°~180°
 PEELING FORCE: 20~130g



DETAIL A

1	SMN-303	1500	10		15000	350X350X340
ITEM	PRODUCT NO	QTY/REEL	REEL/CARTON	Kg/CARTON	QTY/CARTON	CARTON SIZE

MANUFACTURE DWG		东莞市讯普电子科技有限公司 DongGuan XunPu Electronics Co.,Ltd	TITLE: NANO SIM CARD 1.37H PUSH PUSH 有桩		
UNLESS OTHERWISE SPECIFIED TOLERANCES			PAR	SMN-303	
DECIMALS:	ANGLES:	DWN			
X.: ±0.35	X': ±2°	CHKD			
.X: ±0.15	.X': ±1°	APVD			
.XX: ±0.10	.XX': ±0.5°	SCALE 1:1	UNIT: MM		
CUSTOMER COPY		SIZE: A4	SHEET: 1F1	REV: A	