



## High-Efficiency Boost DC/DC Controller

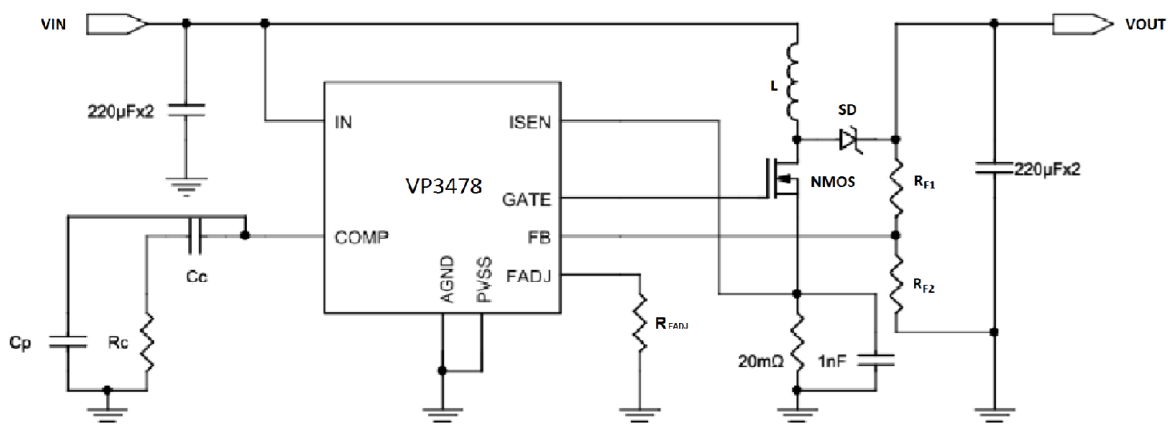
### General Description

The VP3478 is a versatile controller designed for use in boost power converter and topologies that needs an external low-side N-MOSFET acting as primary switch. Besides cycle-by-cycle current limiting, current mode control scheme also makes it wide bandwidth and good transient response. The current limit can be programmed simply with an external resistor.

The switching frequency can be set in any value between 100kHz and 1MHz with a resistor or any external clock source. The VP3478 can be operated at high switching frequency to save the solution board size. While entering shutdown mode, the VP3478 only sinks 10 $\mu$ A and it allows power supply sequencing. It has built-in protection circuits such as thermal shutdown, short circuit protection, and overvoltage protection. Internal soft-start circuitry reduces the inrush current at start-up.

VP3478 is available in small MSOP-8 green package.

### Typical Application

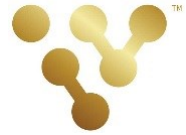


### Features

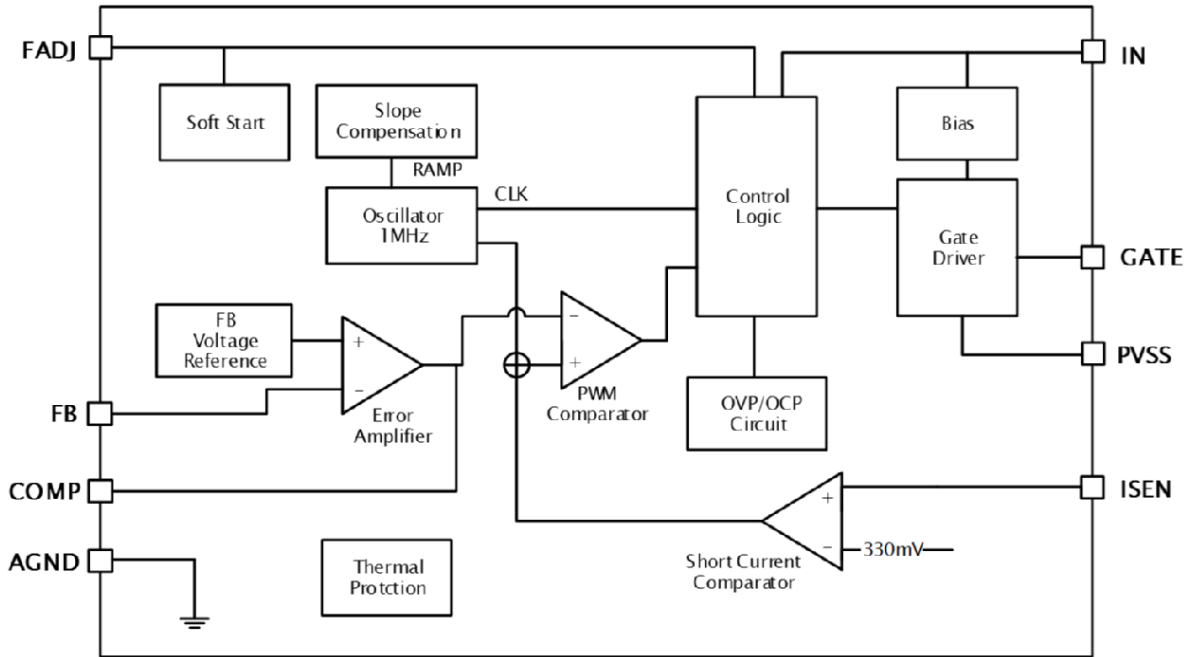
- VP3478MSG8-A/VP3478SPG8-A in MSOP8 package is AEC-Q100 Qualified and Manufactured on an Automotive Grade Flow
- Wide Input Voltage from 2.97V to 40V
- Reference Voltage with  $\pm 2.0\%$  Accuracy
- Adjustable 100kHz~1MHz Clock Frequency
- 0.8V FB Version : VP3478MSG8
- 1.26V FB Version : VP3478SPG8
- 10 $\mu$ A Shutdown Current
- 1A Peak Current Limit Using Internal Driver
- Current Mode Operation
- Internal 12/4  $\Omega$  MOSFET
- External RC Compensation
- Internal Soft-Start
- High Efficiency at Light Loads
- Current Limit and Over Temperature Protection

### Applications

- Portable Speakers
- Offline Power Supply
- Battery Powered Device
- Set-Top Box
- Photovoltaic Inverters

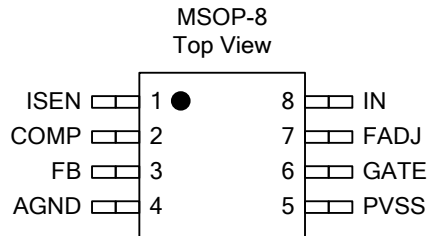


## Functional Block Diagram



FB=0.8V ; VP3478MSG8  
 FB=1.26V ; VP3478SPG8

## Pin Assignments And Descriptions



Pin No.	Pin	I/O/P	Function Description
1	ISEN	P	Current Sense. Use an external resistor in series with ground to measure the voltage drop.
2	COMP	I	Compensation. Use a RC/C network to do proper loop compensation.
3	FB	I	Output Feedback. Connect the external resistor divider network from output to this pin to sense output voltage. The FB pin voltage is regulated to internal 0.8V or 1.26V reference voltage. (Reference Item Version)
4	AGND	P	Analog Ground. Connect to exposed pad.
5	PVSS	I	Power Ground. Connect to exposed pad.
6	GATE	O	Gate Drive. Connect this terminal to the gate pin of the external MOSFET.
7	FADJ	O	Frequency Adjust/Synchronization/Shutdown. A resistor connected from this pin to ground simply sets the oscillator frequency. An external clock signal at this pin will synchronize the controller to the clock. Pull on this pin for $\geq 30 \mu\text{s}$ will turn the device off and the device will then very few current about $5\mu\text{A}$ from the supply.
8	IN	I	Power Supply Input.



## Absolutely Maximum Ratings

Over operating free-air temperature range, unless otherwise specified (\* 1)

Symbol	Parameter	Limit	Unit
$V_{IN}$	Supply voltage range	-0.3 to 42	V
$V_{LV}$ (COMP/FB/FADJ/GATE)	Low voltage range	-0.3 to 6	V
$V_{ISEN}$	Current sense pin range	-0.4 to 0.6	V
$T_{JMAX}$	Junction temperature MAX.	150	°C
$T_{STG}$	Storage temperature range	-65 to 150	°C
Electrostatic discharge	Human body model	2	kV
Electrostatic discharge	Machine model	200	V
$\theta_{JC(top)}$	Thermal resistance (Junction to Case <sub>(top)</sub> )	47	°C/W
$\theta_{JA}$	Thermal resistance (Junction to Air)	146	°C/W
$\theta_{JB}$	Thermal resistance (Junction to Board)	84	°C/W
$\Psi_{JT}$	Junction-to-top characterization parameter	4	°C/W
$\Psi_{JB}$	Junction-to-board characterization parameter	80	°C/W

(\*1): Stress beyond those listed at "absolute maximum rating" table may cause permanent damage to the device. These are stress rating ONLY. For functional operation are strongly recommend follow up "recommended operation conditions" table.

## Recommended Operating Conditions

Symbol	Parameter	Specification		Unit
		Min	Max	
$V_{IN}$	Supply voltage	2.97	40	V
$f_{OSC}$	Switching Frequency range	0.1	1	MHz
$T_J$	Operating Junction range	-40	125	°C



## Electrical Characteristics

$V_{IN}=12V$ ,  $R_{FADJ}=40k\Omega$ ,  $T_J=25^\circ C$ , unless otherwise specified (\* 1)

Symbol	Parameter	Test Condition	Specification			Unit	
			Min	Typ	Max		
$V_{FB}$	Feedback voltage	$V_{COMP}=1.4V$ , $3V < V_{IN} < 40V$	VP3478MSG8	0.788	0.8	0.816	V
			VP3478SPG8	1.2416	1.26	1.2843	
$I_Q$	Quiescent current in shutdown mode	$V_{FADJ}=3V$	$V_{IN}=12V$		10		$\mu A$
			$V_{IN}=12V$ , $-40^\circ C < T_J < 125^\circ C$			15	
			$V_{IN}=5V$		5		
			$V_{IN}=5V$ , $-40^\circ C < T_J < 125^\circ C$			10	
$V_{UVLO}$	Under voltage lockout			2.5		V	
$V_{UV(HYS)}$	Input Under voltage Lock-out Hysteresis			160		mV	
$R_{DS(ON)}$	High-side switch $R_{DS(ON)}$ (*1)	$V_{IN}=5V$ , $I_{GATE}=0.2A$		12		$\Omega$	
	Low-side switch $R_{DS(ON)}$ (*1)	$V_{IN}=5V$ , $I_{GATE}=0.2A$		4			
$A_{VOL}$	Error amplifier voltage gain	$V_{COMP}=1.4V$ , $I_{EAO}=100\mu A$		60		V/V	
$g_M$	Error amplifier trans-conductance	$V_{COMP}=1.4V$		430		$\mu S$	
$V_{GATE}$	Maximum GATE driving swing	$V_{IN} < 5.8V$		$V_{IN}$		V	
		$V_{IN} \geq 5.8V$		5.7			
$f_{OSC}$	Oscillation frequency	$R_{FADJ}=40k\Omega$		0.44		MHz	
		$R_{FADJ}=40k\Omega$ , $-40^\circ C < T_J < 125^\circ C$	0.34		0.48		
$D_{MAX}$	Maximum duty cycle	$R_{FADJ}=40k\Omega$		85		%	
$\Delta V_{LINE}$	Voltage line regulation	$3V < V_{IN} < 40V$		0.05		%/V	
$\Delta V_{LOAD}$	Voltage load regulation	$I_{EAO}$ Source/Sink		$\pm 0.5$		%/A	
$t_{MIN(ON)}$	Minimum on-time			410		nS	
$I_{SUPPLY}$	Supply Current	$R_{FADJ}=40k\Omega$		2.7		mA	
		$R_{FADJ}=40k\Omega$ , $-40^\circ C < T_J < 125^\circ C$			4.5		
$V_{SENSE}$	Current sense threshold voltage	$V_{IN}=5V$	120	160	180	mV	
		$V_{IN}=5V$ , $-40^\circ C < T_J < 125^\circ C$	120		200		
$V_{SC}$	Overload current limit sense voltage	$V_{IN}=5V$		290		mV	
		$V_{IN}=5V$ , $-40^\circ C < T_J < 125^\circ C$	240		415		
$V_{SL}$	Internal compensation ramp	$V_{IN}=5V$		90		mV	
		$V_{IN}=5V$ , $-40^\circ C < T_J < 125^\circ C$	52		132		
$V_{OVP}$	Output overvoltage protection	$V_{COMP}=1.4V$		85		mV	
$V_{OVP(HYS)}$	Output overvoltage protection hysteresis	$V_{COMP}=1.4V$		70		mV	



## Electrical Characteristics (cont.)

$V_{IN}=12V$ ,  $R_{FADJ}=40k\Omega$ ,  $T_J=25^\circ C$ , unless otherwise specified (\* 1)

Symbol	Parameter	Test Condition	Specification			Unit
			Min	Typ	Max	
$I_{EAO}$	Error amplifier output current (Source/Sink)	Source, $V_{COMP} = 1.4V$ , $V_{FB} = 0V$		127		$\mu A$
		Source, $V_{COMP} = 1.4V$ , $V_{FB} = 0V$ $-40^\circ C < T_J < 125^\circ C$	65		180	
		Sink, $V_{COMP} = 1.4V$ , $V_{FB} = 1.4V$		180		
		Sink, $V_{COMP} = 1.4V$ , $V_{FB} = 1.4V$ $-40^\circ C < T_J < 125^\circ C$	100		230	
$V_{EAO}$	Error amplifier output voltage	$V_{FB}=0V$ , COMP pin floating		2.38		V
		$V_{FB}=0V$ , COMP pin floating $-40^\circ C < T_J < 125^\circ C$	2		2.6	
		$V_{FB}=1.4V$		0.67		
		$V_{FB}=1.4V$ $-40^\circ C < T_J < 125^\circ C$	0.2		1	
$V_{SD}$	Shutdown signal threshold on FADJ pin (*2)	Output=High Level		1.29		V
		Output=High Level, $-40^\circ C < T_J < 125^\circ C$			1.4	
		Output=Low Level		0.63		
		Output=low Level, $-40^\circ C < T_J < 125^\circ C$			0.4	
$t_{SS}$	Soft start delay	$V_{FB} = 1.2V$ , COMP pin floating		9		mS
$t_R$	GATE pin rising time	$C_{gs} = 3000pF$ , $V_{GATE} = 0V$ to $3V$		75		nS
$t_F$	GATE pin falling time	$C_{gs} = 3000pF$ , $V_{GATE} = 3V$ to $0V$		20		nS
$I_{SD}$	Shutdown pin current FADJ pin	$V_{SD}=0V$		20		$\mu A$
$T_{SD}$	Thermal shutdown			170		$^\circ C$
$T_{SD(HYS)}$	Thermal shutdown hysteresis			10		$^\circ C$

(\*1): Stress beyond those listed at "absolute maximum rating" table may cause permanent damage to the device. These are stress rating ONLY. For functional operation are strongly recommend follow up "recommended operation conditions" table.

(\*2) The FADJ pin should be pulled to  $V_{IN}$  through a resistor to turn the regulator off. The voltage on the FADJ pin must be above the maximum limit for Output = High Level to keep the regulator off and must be below the limit for Output = Low Level to keep the regulator on.



## Functional Descriptions

The VP3478 employs the current-mode, adjustable frequency pulse-width modulation (PWM) architecture. It operates at adjustable switching frequency under medium to high load current conditions.

### Overvoltage Protection

The VP3478 uses FB pin to detect overvoltage occurrence. The overvoltage protection should be triggered at the voltage rises to  $V_{FB} + V_{OVP}$ . When OVP occurs only the MOSFET will be turned off, the output voltage will drop. VP3478 will switch when the voltage on FB pin is less than  $V_{FB} + (V_{OVP} - V_{OVP(HYS)})$  for limit on  $V_{OVP(HYS)}$ .

### Frequency Adjust

The switching frequency can be adjusted from 100kHz to 1MHz by an external resistor in series with FADJ terminal and ground. The following equation is used to calculate resistor value.

- a. When  $f_s < 300\text{kHz}$  the calculate as below,

$$R_{FADJ} \cong \frac{17.5 \times 10^3}{f_s} + 8.2$$

- b. When  $f_s > 300\text{kHz}$  the calculate as below,

$$R_{FADJ} \cong \frac{21 \times 10^3}{f_s} - 7.3$$

Where  $f_s$  is in kHz and  $R_{FA}$  is in k $\Omega$ .

### Clock Synchronization

VP3478 is able to be synchronized to an external clock by connecting to the FADJ terminal with  $R_{FADJ}$  in series with ground as shown in figure 2.

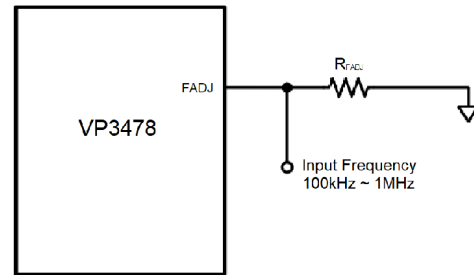


Figure 2. Clock Synchronization

### Shutdown

The FADJ pin can be used as a shutdown pin. If the high signal pulls up this pin, VP3478 will stop the switching and then enter the shutdown state. In this state, VP3478 consumes only 5 $\mu\text{A}$  typically.

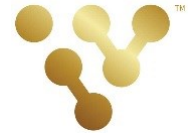
The use of shutdown control in frequency adjustment mode is quite simple. Connects a resistor between the FADJ pin and ground will force the VP3478 runs at specified frequency and pulls this pin high will shutdown the IC. In both frequency and synchronization mode, pulls FADJ pin high lasting then 30 $\mu\text{s}$  will also force the VP3478 enter the shutdown state.

### Slope Compensation

VP3478 employs current mode control scheme. It has many advantages such as cycle-by-cycle current limit for the switch and easier to parallel power stages because automatic current sharing. The compensation ramp is already added in VP3478 and the slope of the default compensation ramp could satisfy most applications.

### Short Circuit Protection

The ISEN pin is used to sense the over-current occurrence. If the difference between ISEN pin and ground is greater than 330mV, the current limit will be activated. The comparator will decrease the switching frequency by the factor of 8 and maintains this condition until the over-current (short) event is removed.



## Application Information

### Programming the Output Voltage and Output Current

The output voltage can be programmed using a resistor divider between the output and the feedback pins, as shown in Figure 3. The resistors are selected such that the voltage at the feedback pin is 0.8V (1.26V).  $R_{F1}$  and  $R_{F2}$  can be selected using the equation,

$$V_{OUT} = V_{FB} \times \left(1 + \frac{R_{F1}}{R_{F2}}\right)$$

A 100pF capacitor may be connected between the feedback and ground pins to reduce noise.

The maximum amount of current that can be delivered at the output can be controlled by the sense resistor,  $R_{SEN}$ . Current limit occurs when the voltage that is generated across the sense resistor equals the current sense threshold voltage,  $V_{SENSE}$ . Limits for  $V_{SENSE}$  have been specified in the Electrical Characteristics section. This can be expressed as:

$$I_{SW(peak)} \times R_{SEN} = V_{SENSE} - D \times V_{SL}$$

The peak current through the switch is equal to the peak inductor current.

$$I_{SW(peak)} = I_L(max) + \Delta i_L$$

Therefore for a boost converter,

$$I_{SW(peak)} = \frac{I_{OUT(max)}}{(1-D)} + \frac{(D \times V_{IN})}{(2 \times f_s \times L)}$$

Combining the two equations yields an expression for  $R_{SEN}$ ,

$$R_{SEN} = \frac{V_{SENSE} - (D \times V_{SL})}{\left[ \frac{I_{OUT(max)}}{(1-D)} + \frac{(D \times V_{IN})}{(2 \times f_s \times L)} \right]}$$

Evaluate  $R_{SEN}$  at the maximum and minimum  $V_{IN}$  values and choose the smallest  $R_{SEN}$  calculated.

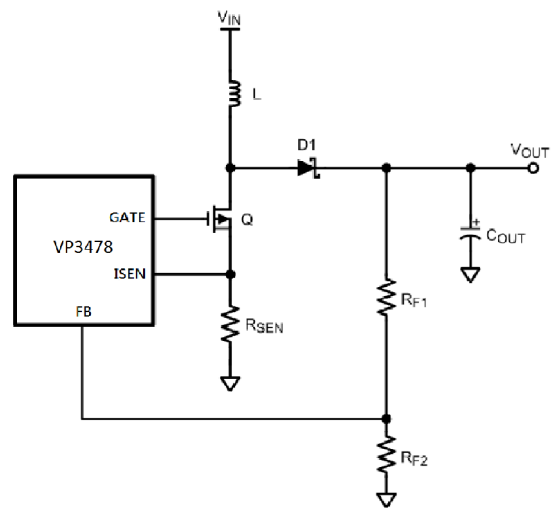


Figure 3. Adjusting the Output Voltage

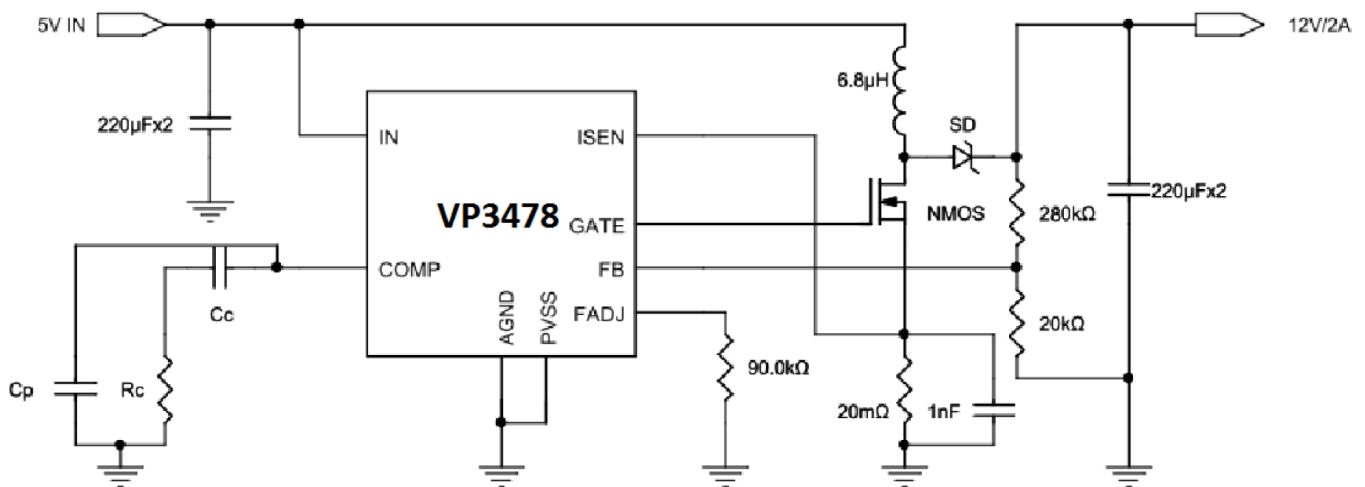
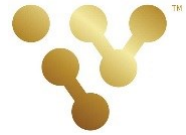
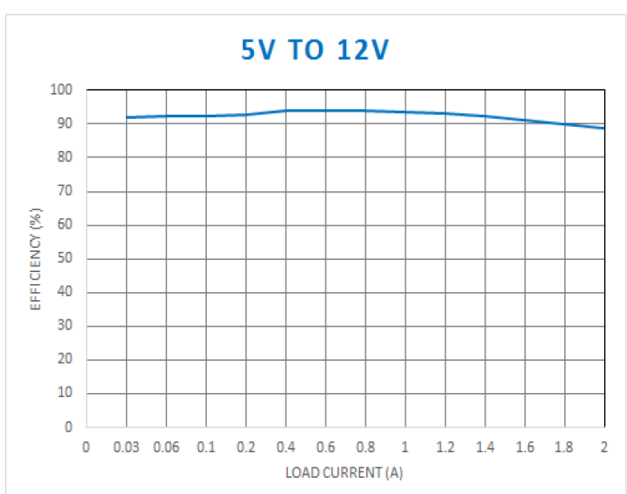
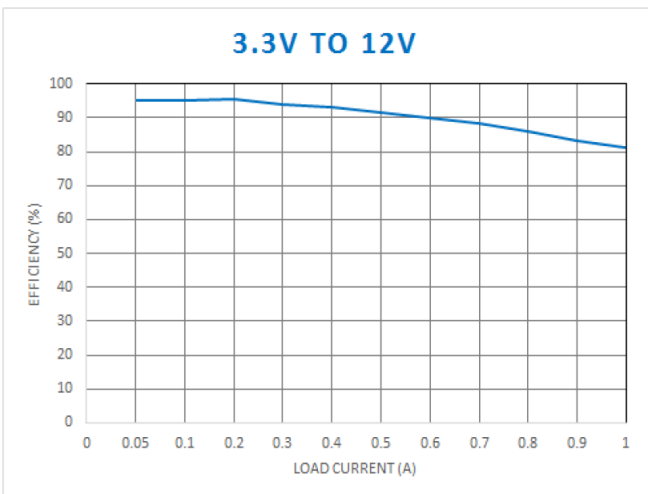
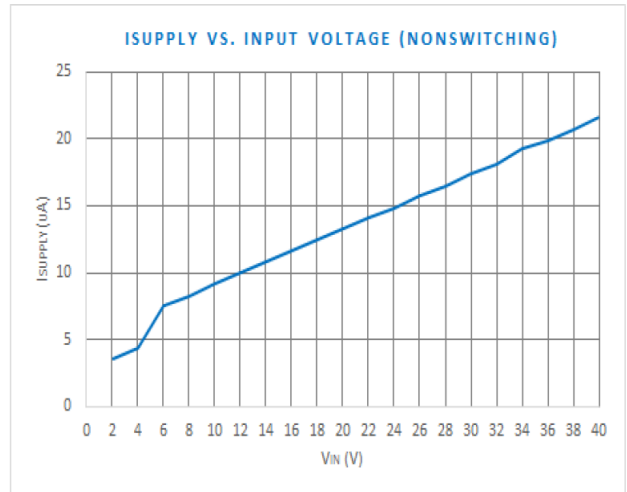
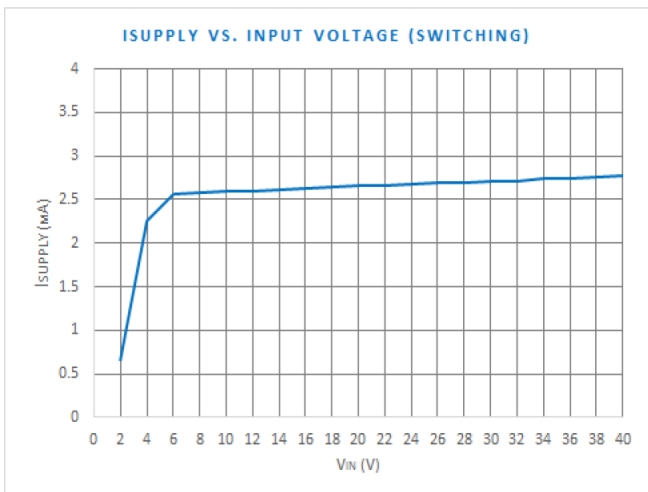
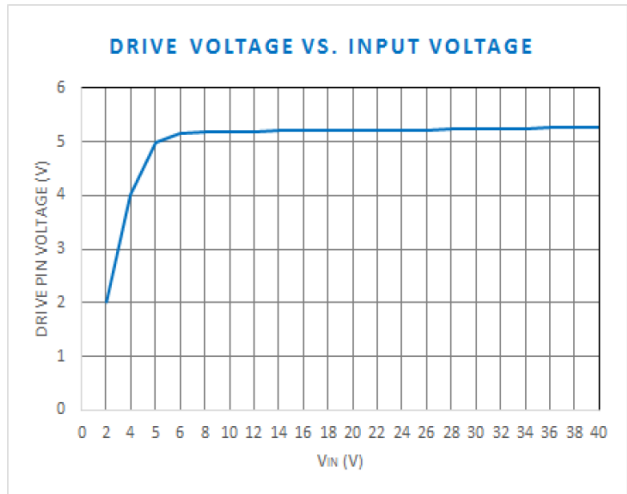
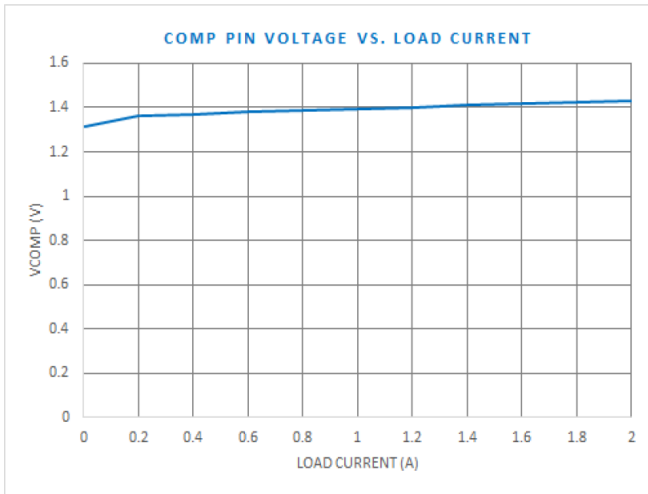


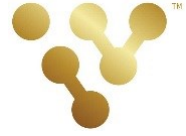
Figure 4. VP3478 Typical Boost Application



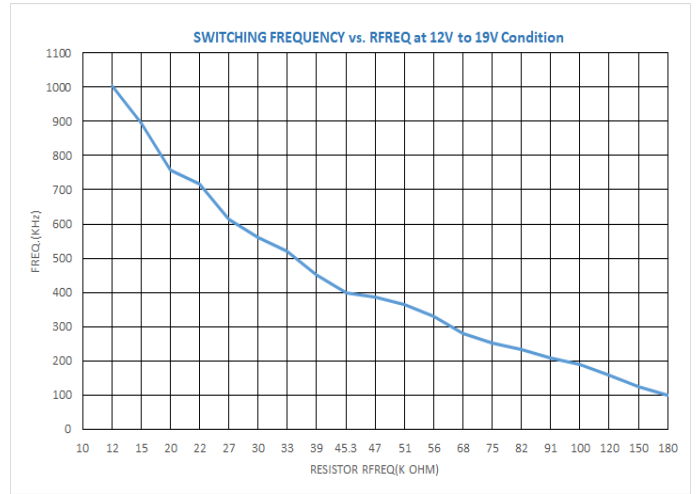
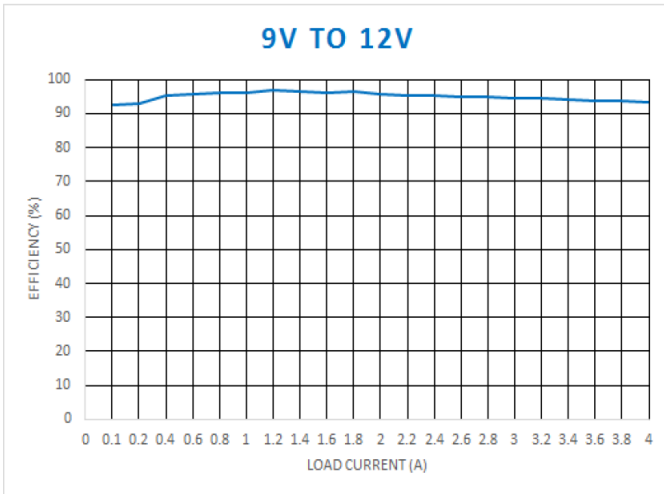
## Typical Characteristic







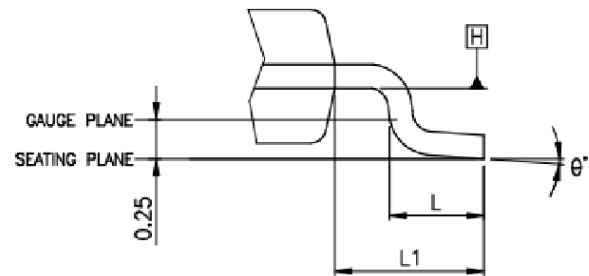
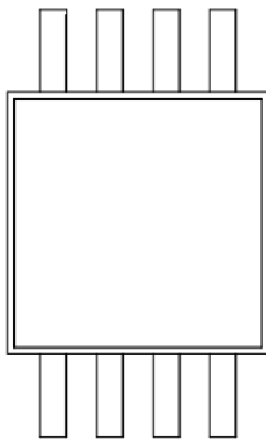
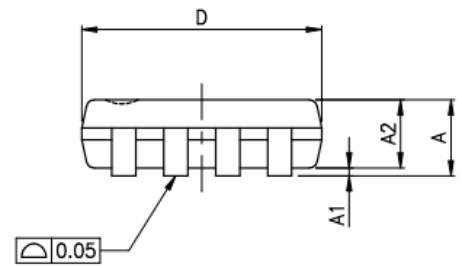
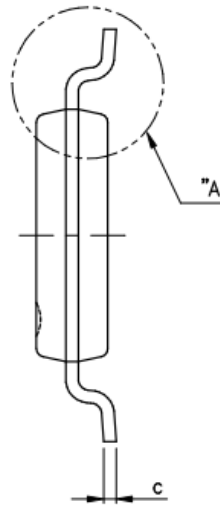
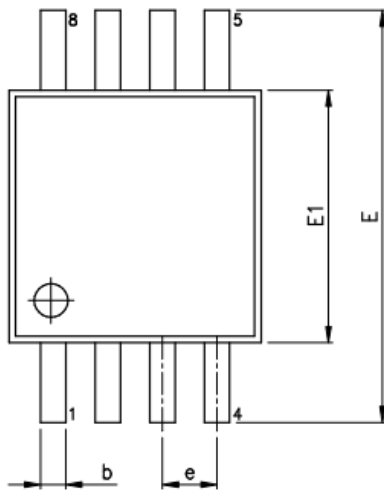
## Typical Characteristic (cont.)





## Package Information

### MSOP8



DETAIL A

THERMALLY ENHANCED VARIATIONS ONLY

SYMBOLS	MIN.	NOM.	MAX.
A	—	—	1.10
A1	0.00	—	0.15
A2	0.75	0.85	0.95
$\triangleleft$ b	0.22	—	0.38
$\triangleleft$ c	0.08	—	0.23
D	3.00 BSC		
E	4.90 BSC		
E1	3.00 BSC		
$\triangleleft$ e	0.65 BSC		
L	0.40	0.60	0.80
L1	0.95 REF		
$\theta^\circ$	0	—	8

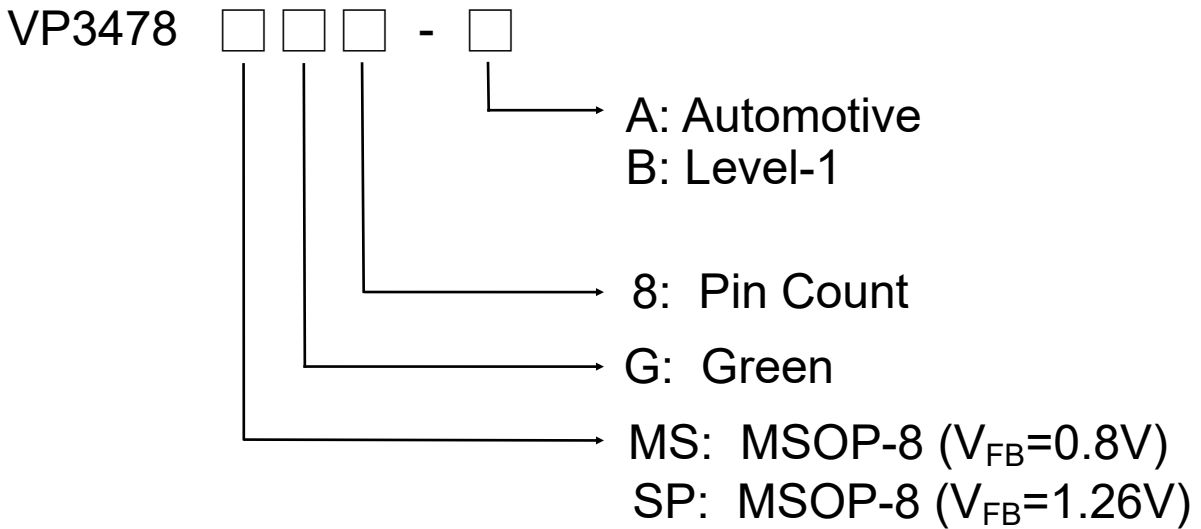
UNIT : MM

#### NOTES:

- JEDEC OUTLINE :  
STANDARD : MO-187 AA.  
THERMALLY ENHANCED : MO-187 AA-T.
- DIMENSION D DOES NOT INCLUDE MOLD FLASH, PROTRUSIONS OR GATE BURRS. MOLD FLASH, PROTRUSIONS OR GATE BURRS SHALL NOT EXCEED 0.15 mm PER END. DIMENSION E1 DOES NOT INCLUDE INTERLEAD FLASH OR PROTRUSION. INTERLEAD FLASH OR PROTRUSION SHALL NOT EXCEED 0.15 mm PER SIDE.
- DIMENSION 'b' DOES NOT INCLUDE DAMBAR PROTRUSION. ALLOWABLE DAMBAR PROTRUSION SHALL BE 0.08 mm TOTAL IN EXCESS OF THE 'b' DIMENSION AT MAXIMUM MATERIAL CONDITION. THE DAMBAR CANNOT BE LOCATED ON THE LOWER RADIUS OF THE FOOT. MINIMUM SPACE BETWEEN PROTRUSION AND AN ADJACENT LEAD SHALL NOT BE LESS THAN 0.07 mm.
- D AND E1 DIMENSIONS ARE DETERMINED AT DATUM  $\square$  .

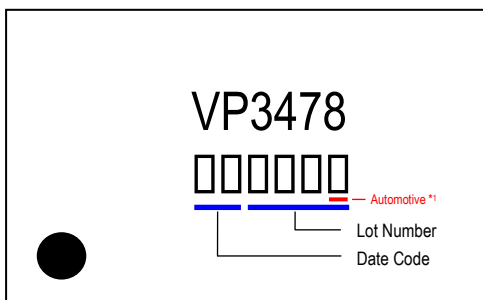


## Ordering Information

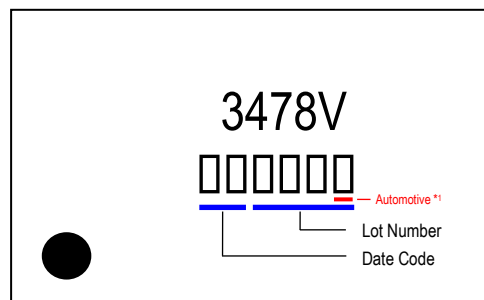


Part No.	FB voltage version	Q`ty/ Reel	MSL Peak Temp.	Op Temp.(°C )
VP3478MSG8-A	0.8V	2,500	Level 1(G1)	-40 to +125
VP3478MSG8-B	0.8V	2,500	Level 1	-40 to +125
VP3478SPG8-A	1.26V	2,500	Level 1(G1)	-40 to +125
VP3478SPG8-B	1.26V	2,500	Level 1	-40 to +125

## Marking Information



FB: 0.8V Version Marking



FB: 1.26V Version Marking

\*1 Automotive Specifications Marking will show “ - ”



## Contact Information

### Viva Electronics Incorporated

10F-1, No. 32, Gaotie 2<sup>nd</sup> Rd., Zhubei City, Hsinchu County, Taiwan, R.O.C.

Tel: 886-3-6579508

Fax: 886-3-6579509

WWW: <http://www.viva-elec.com.tw>

Sales: [sales@viva-elec.com.tw](mailto:sales@viva-elec.com.tw)

FAE Support: [fae@viva-elec.com.tw](mailto:fae@viva-elec.com.tw)

### IMPORTANT NOTICE

Viva Electronics Incorporated reserves the right to make changes without further notice to any products or specifications herein. Viva Electronics Incorporated does not assume any responsibility for use of any its products for any particular purpose, nor does Viva Electronics Incorporated assume any liability arising out of the application or use of any its products or circuits. Viva Electronics Incorporated does not convey any license under its patent rights or other rights nor the rights of others.