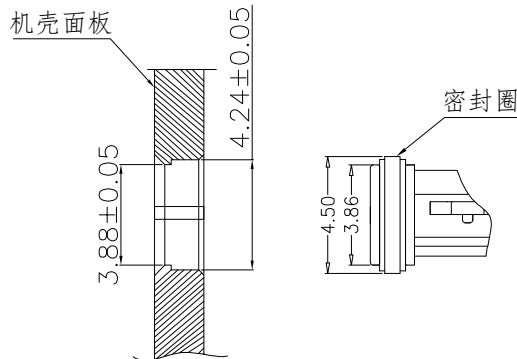
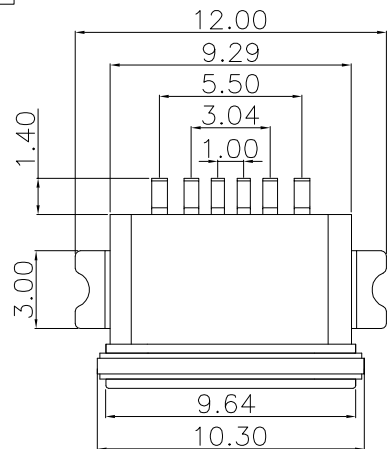


ROHS



前后组装方式

Note:

1.Material:

1.1 Housing: LCP

1.2 Contact:C2680,t=0.20mm middleclip SUS t=0.15mm

1.3 Shell: Zinc Alloy.

2.ELECTRICAL:

2-1:CURRENT RATING:

VBUS AND GND CONTACTS RATED AT 1.25A PARALLELED FOR A TOTAL OF 3A;

2-2:INITIAL CONTACT RESISTANCE :40 MEGOHMS

2-3:DIELECTRIC WITHSTANDING VOLTAGE:

30V AC MIN;

3:MECHANICAL CHARACTERISTICS:

3-1:MATING FORCE:5~20N

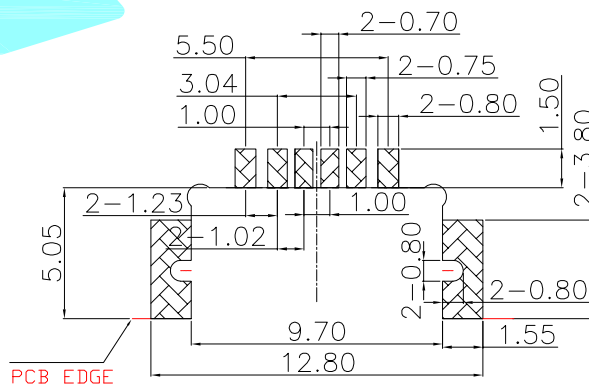
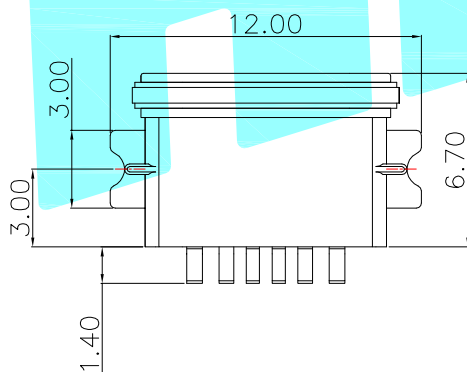
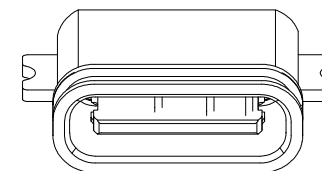
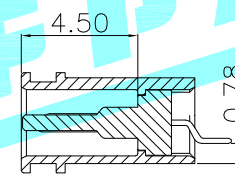
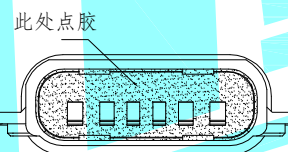
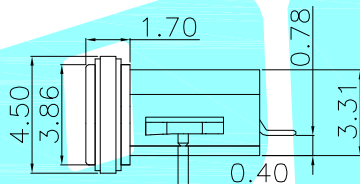
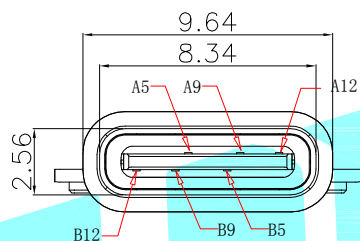
3-2:UNMATING FORCE:8~20N(INITIAL),

6~20N(AFTER 10000 CYCLES)

3-3:FREQUENCY: 200±50 CYCLES /HOUR,10000 CYCLES

3-4:OPERATING TEMPERATURE ;-40°~80°.

4: WATERPROOF: IP-X7.



RECOMMENDED P.C.B. LAYOUT
TOLERANCE UNSPECIFIED ±0.05mm

A5	CC1	B12	GND
A9	VBUS	B9	VBUS
A12	GND	B5	CC2
PIN	SIGNAL NAME	PIN	SIGNAL NAME

APPROVALS		DATE		 ELECTRONICS CO.,LTD		
DRAWN	LIUCAN	2023.5.23				
CHECKED				TITLE:	沉板高度0.78mm	
APPROVALS				PART NO.	TYPE-C-31-E-06A	
TOLERANCES ARE	30~以上	±0.30	ANGLE	UNIT: mm	SCALE: 1:1	PROJ:
	10~30	±0.25		DRAWING NO.	SHEET 1 OF 1	
	5~10	±0.20				
	~ 5	±0.15				

ECN NO.	REV.	DATE.	DESCRIPTION.	CHANGE.	CHECK.	APPRO.
	A		NEW			