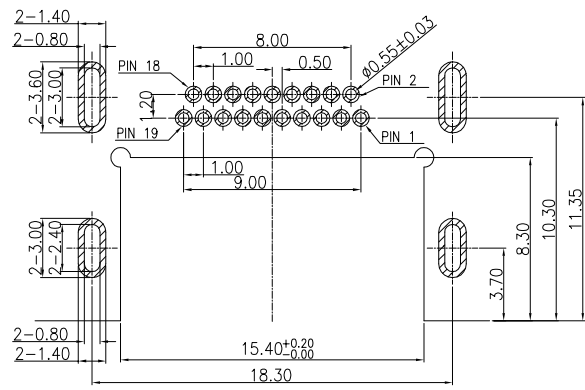
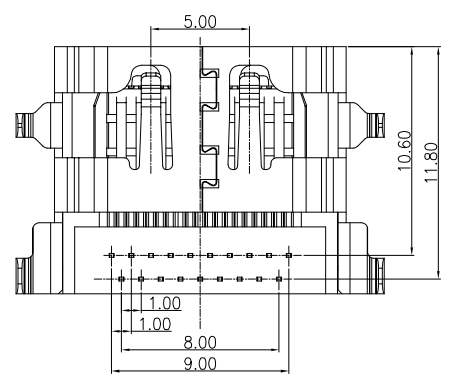
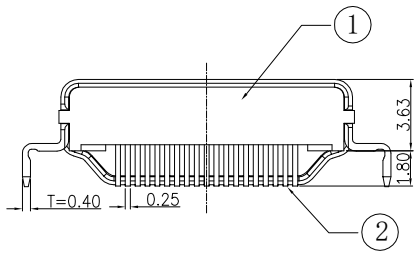
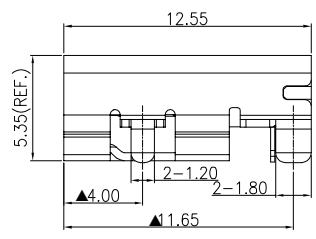
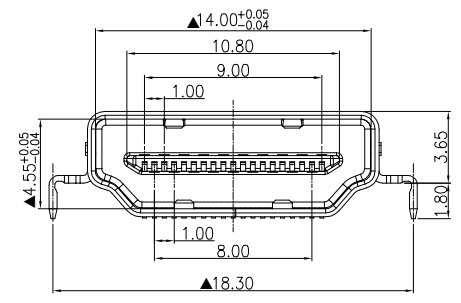


修订	标记	修改摘要	签名	日期
REV	MARK	REVISION DESCRIPTION	SIGNATURE	DATE
AO		NEW DWG		2016-03-12



TOLERANCE: ±0.05
RECOMMENDED PCB LAYOUT
(TOP VIEW)

- NOTES:
 1.ELECTRONIC:
 CONTACT RESISTANCE: 30mohm MAX
 INSULATION RESISTANCE: 100 Mohm MIN
 WITHSTAND VOLTAGE:AC 500V,1min.
 2.MECHANICAL:
 DURABILITY: 5000 CYCLE.
 3.ENVIRONMENT CHARACTERISTICS:
 OPERTING TEMPERATURE:-55°C TO +105°C
 4.RECOMMANDER PCB THICKNESS 1.2



3	SHELL	1	STAINLESS STEEL SUS304 T=0.1MM PLATED	
2	CONTACT	19	COPPER ALLOY C2680 T=0.20	AU/TIN PLATED
1	HOUSING	1	THERMOPLASTIC	(UL 94V-0) BLACK
No.	PART NAME	QTY	MATERIAL	REMARK



深圳市华德共创科技有限公司
 Shenzhen Huade co-create Technology Co.,LTD
 电话: 0755-23304126 传真: 0755-29940187

-TOLERANCES- UNLESS OTHERWISE SPECIFIED 公差参数表		TITLE: 产品名称: HDMI AF正向沉板不锈钢镀镍黑胶3.65	
X.X	±0.30	X.X*	±3°
X.XX	±0.20	X.XX*	±2°
X.XXX	±0.10	X.XXX*	±1°

APPD: 核准:	CHECK: 王建业	PART NO: 产品编号:	HDMI-GD-111PWB		
DRAW: 绘图:	黄艳兰	DATE	SCALE	UNIT	CODE NUMBER
		2016-03-12	1:1	mm	A001