

NOTES1:

- UL Standard
- 1. Rated voltage/current : 150V / 8A
- 2. Withstanding voltage : AC1250V/1Min.

IEC Standard

1. Pollution degree	2
Overvoltage category	III
Rate impulse voltage(KV)	2.5KV
Rate voltage(V)	320V
Rate current(A)	10A

NOTES2:

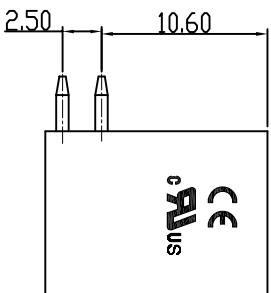
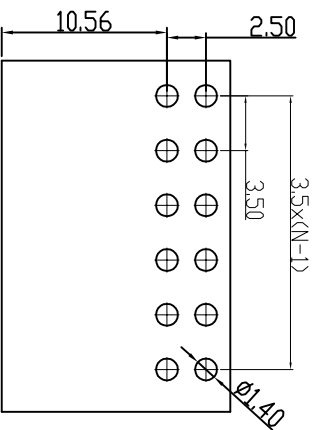
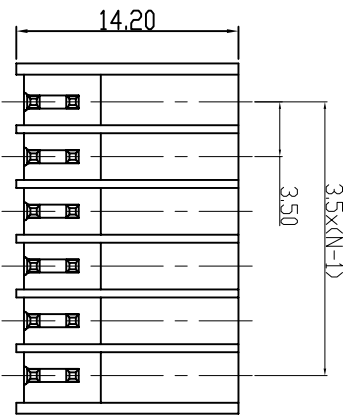
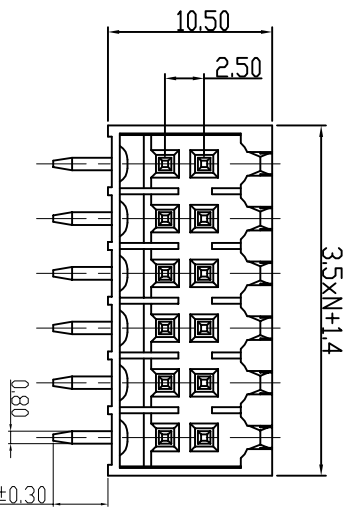
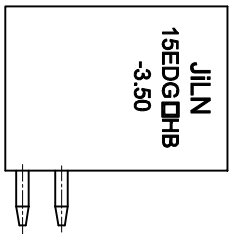
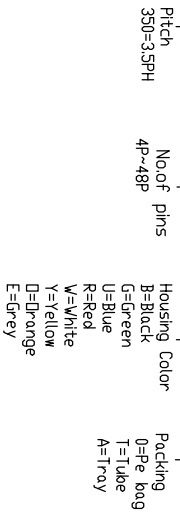
- 1. Dimension shall be interpreted per ASME Y14.5-2009
- 2. Pitch : 3.5mm, Poles : N=04~48P
- 3. Operating temperature: -40°C~+105°C
- 4. Undimensioned tolerances:

Pitch range in mm	Over	Nominal dimension in mm	Over	Over	Over	Over	Over
6 TO 10	6	10	30	60	100	150	0.1/10
10 TO 24	10	24	30	60	100	150	≤
±0.15/±0.20	±0.30	±0.30	±0.50	±0.70	±1.00	±1.30	±2°

5. RoHS Compliance

Ordering Information

JL15EDGRHB-350 XX B 0 1



REVISION RECORD				
REV	ECN	DESCRIPTION	DRFT	DATE
A		NEW		21.12.15

2	Pin2	Copper	Sn Plated
1	Housing	PA66	UL94V-0
ITEM	NAME OF PART	MATERIAL	NOTES

DRAW	SHUANGPING ZHENG
CHECK	LICHAD LIU
APPROVE	YONGLIANG GAO

SCALE	FIT
UNIT	mm
SIZE	A4
SHEET	1/1
PRD.J.	

PART NO.		JL15EDGRHB-350XXB01
TITLE:		JL15EDGRHB-THR-3.5-2XNP插拔式公座/弯针黑色

JILIN 东莞市锦凌电子有限公司
DONGGUAN JINLING ELECTRONIC CO., LTD

1 2 3 4 5 6 7 8 9

A B C D E F G