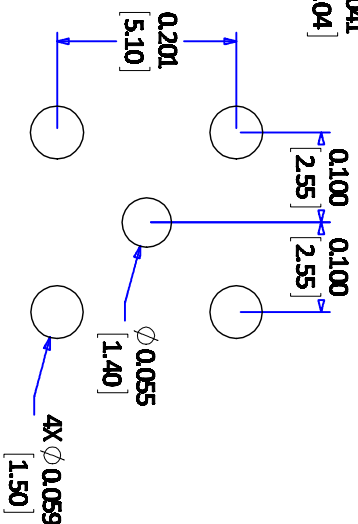
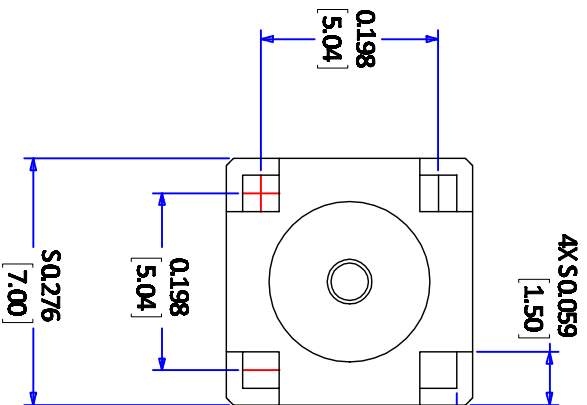
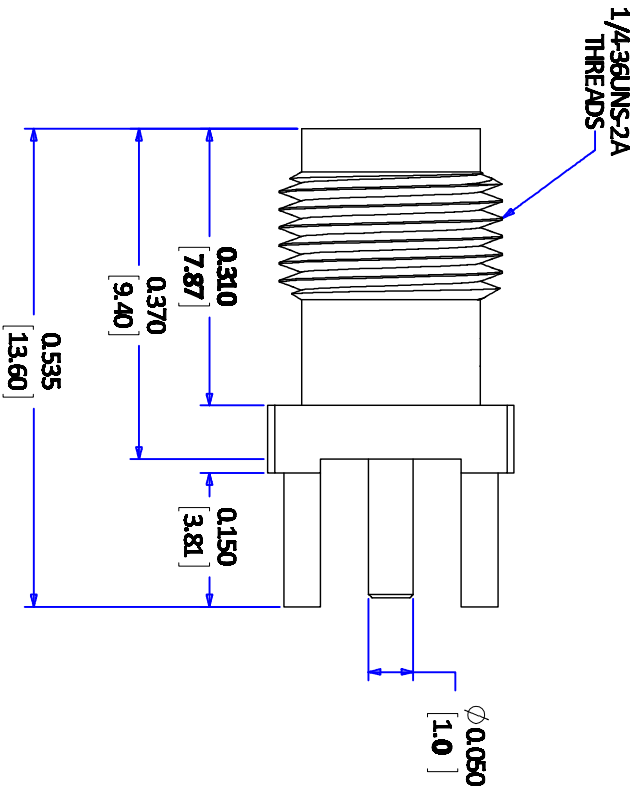




Product NO.		DS806FPPS0045		
REV	DESCRIPTION	DWN	DATE	APPROVEN
A	First Issue	W. Cheng	2020/05/13	John Kline
B				



RECOMMENDED FOOTPRINT

Specifications

- Impedance: 50 Ohms
- Frequency Range: DC~3G
- VSWR: 1.3MAX
- Working Voltage: 500V rms @ sea level
- Insulation Resistance: 5000 Ohms min
- Temperature Range: -65°C TO +165°C
- Relative Temperature: ≤95% (40°C ±2°C)

SIDE VIEW

BACK VIEW

Drawings products are in line with ROHS standards

1	Body	Brass	QND	NOTE:					
2	Insulator	TEFLON	White						
3	CONTACT PIN	BRASS	GOLD						
4									
5									
6				DRAWN	Zelin. CHEN				
7				CHECKED					
8									
9									
10	Component Number	Material	Finish	APPROVALS		SCALE	UNIT	View	Tolerance
						1:1	MM	Angular	±0.15 ±0.10 ±0.05 ±5°

DOSIN Dosing Industrial (Hk) Co., Ltd
 东莞市德索五金电子有限公司
 Dosing Hardware Electronics Co., Ltd

Name: SMA JACK FOR PCB

Product NO. DS806FPPS0045

DATE: 2020/05/13

CAD FILE: H/company drawings/BD

SHEET: 1 OF 1

Rev: A

Website: www.dosing.com
 Tel: (0086) 769-81183005
 Fax: (0086) 769-81876836