

Specifications:

规格:

1.Voltage rating:250VAC/DC

额定电压: 250V AC/DC

2.Current rating:3A(T) / 5A(C) AC/DC

额定电流: 3A(T) / 5A(C) AC/DC

3.Withstanding voltage:500V AC/minute

耐受电压: 500V AC/分钟

4.Temperature range: -55°C-+105°C

温度范围: -55°C-+105°C

5.Insulation resistance:1000MΩ MIN

绝缘电阻: 1000MΩ MIN

6.Contact resistance:30mΩ Max

接触电阻: 30mΩ Max

Material:

材料:

7.Rubber core:PBT UL94V-0

胶芯: PBT UL94V-0

8.The iron shell:SPCC Nivkel Plating/Tin Plating/Gold Plating

铁壳: SPCC,镀镍/镀锡/镀金

B、成品不能有弯针，R角不一致等不良。

X02 XX F X X X X
① ② ③ ④ ⑤ ⑥ ⑦

① Series NO.

② Row No.Pin No.XX-09;15;25;37

③ Welding Board Angle :F-Female

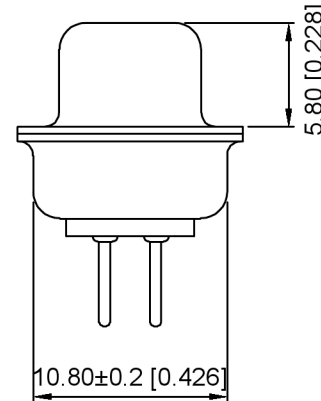
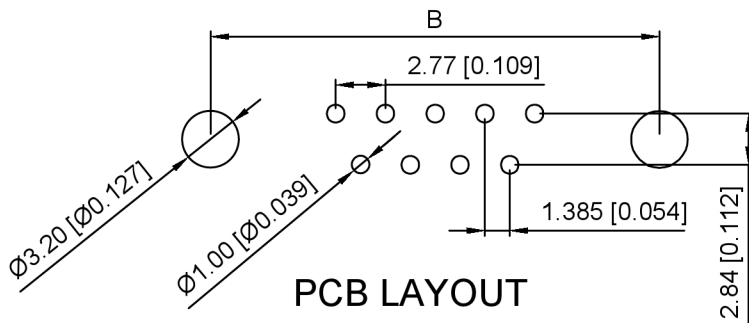
④ T: Tradutional C: Car-pin

⑤ Planting Category: 1:1U 2:2U 3:3U 4:5U 5:15U 6:30U 7:AuSn

⑥ Color:B-BLACK W-White BL-Blue

⑦ 1:TYPE-1; 2:TYPE-2; 5:TYPE-5; 7:TYPE-7

NUMBER OF POSITIONS	DIMENSION			
	A±0.25	B±0.13	C±0.38	D±0.25
9	30.80	24.99	16.35	19.28
15	39.20	33.32	24.75	27.51
25	53.05	47.04	38.35	41.28
37	69.40	63.50	54.75	57.71



铆合方式	TYPE-1:铆合	TYPE-2:前铆实心螺母	TYPE-7:后铆鱼叉	TYPE-5:铆鱼叉锁螺丝
图示				

广东星坤科技股份有限公司

文件工程章

MARK	DESCRIPTION	DATE	REVISED	APPROVED	UNSPECIFIED TOLERANCES
Δ生					ANGLAR ±5°
Δ数					L ≤ 4 ±0.2
Δ*					4 < L ≤ 16 ±0.3
					16 < L ≤ 63 ±0.4
					L > 63 ±0.5



DSND	SCALE: N/A	MODEL TYPE: D-USB
DWN	VIEW:	PART NO.: X02XXFXXXX
CHKD	UNIT: mm/in	DWG NO.: X-X02XXFXXXX
APPD	SIZE: A4	WEIGHT SHEET REVISION
XKB INDUSTRIAL PRECISION CO.,LIMITED		1/1 A0