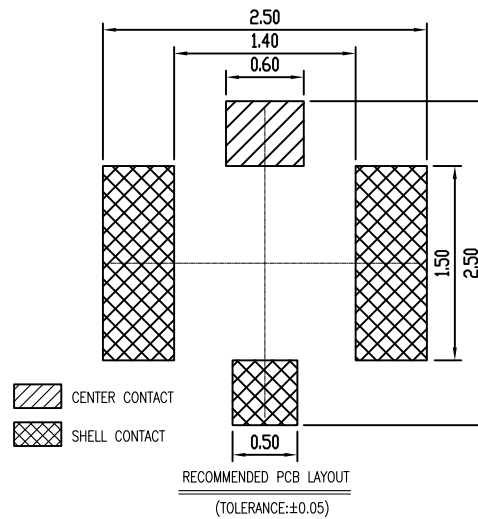
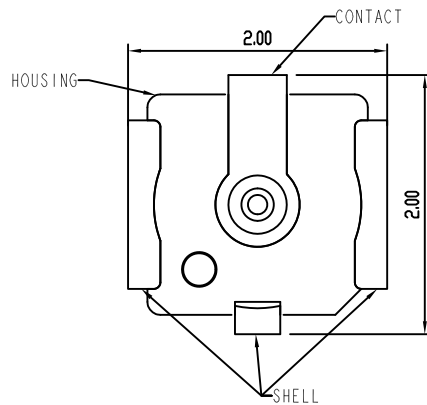
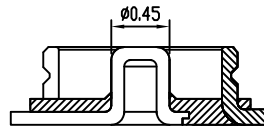
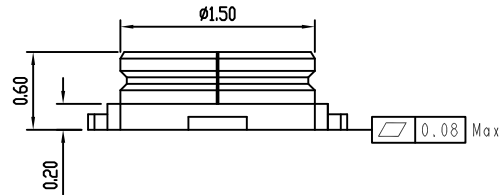
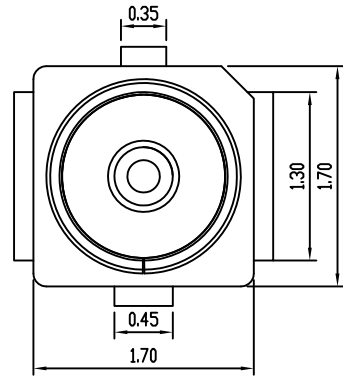


REV	ECR#	DESCRIPTION	DRAWN/DATE	CHECKED/DATE	APPROVED/DATE
A					

NOTES :

- 1.0. RATING :
 - 1.1. VOITAGE :60 VAC (R.M.S.)
 - 1.2. NOMINAL CHARACTERISTIC IMPEDANCE: 50 Ohm
 - 1.3. APPLICABLE FREQUENCY: DC ~ 6GHz
 - 1.4. VSWR: 1.3 MAX. (DC~3GHz), 1.5 MAX. (3~6GHz)
 - 1.5. TEMPERATURE : -40°C TO +85°C
- 2.0. ALL DIMENSIONS SHOULD BE CONTROLLED IN FAI.:
- 3.0. MARKED ∇ SHOULD BE CONTROLLED BY QIP.:
- 4.0. MATERIAL SEE BILL OF MATERIAL :



CENTER CONTACT
 SHELL CONTACT

CONTROL POINT FAI : to	TOLERANCES UNLESS OTHERWISE SPECIFIED	DRAWING	DATE	兆星精密电子 (深圳) 有限公司
	GENERAL	DESIGN	DATE	
CRITICAL (Cpk & Cp) :	X ±0.30 XX ±0.20 XXX ±0.10	CHECK	DATE	TITLE
DI = Places	ANGLES			I PEX 内针 四代板端 I PEX4座子
MAJOR (QC CHECKED) :	X ±0.07 XX ±0.05	APPROVED	DATE	SERIES ZX-RF-4-Z1.50.6X
= Places	SCALE 1:1			SIZE A3
TOOL DESIGN DIMENSION :	SHEET 1/1	3D FILE		DRAWING NO
= Places	UNIT MM			REV A
EVALUATE REPORTES NUMBER				